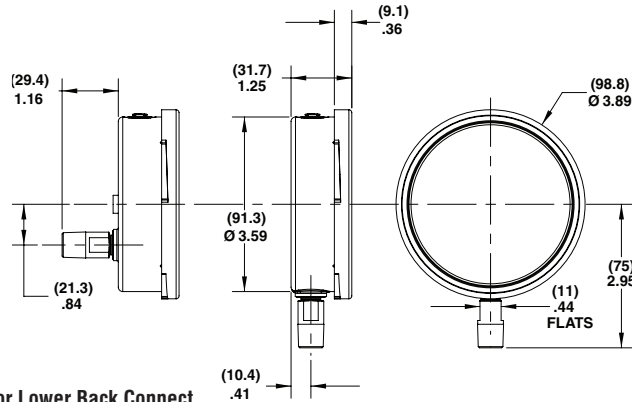


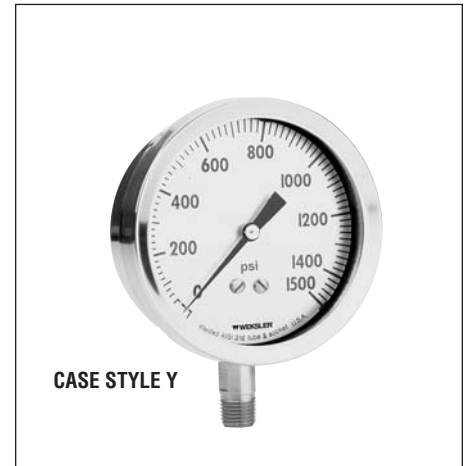


**Case Styles & Dimensions**  
**3 1/2" SS Pressure Gauge**

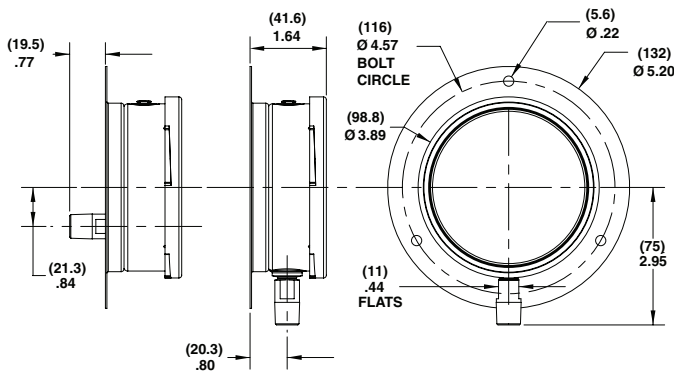
**CASE STYLE "Y"**



Stem Mount, Lower or Lower Back Connect

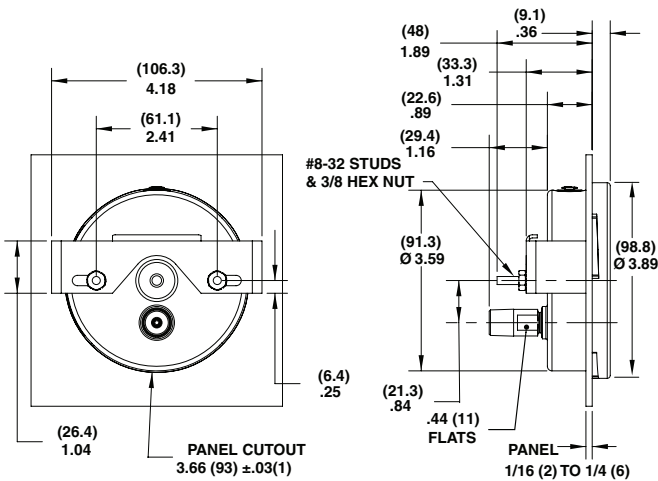


**CASE STYLE "X"**



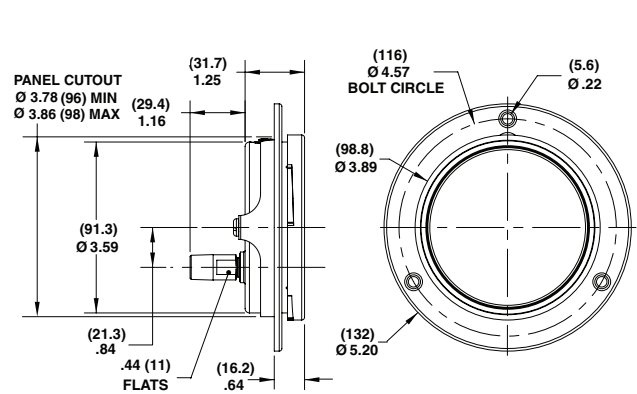
Stem Mount, Lower or Lower Back Connect With Front Flange

**CASE STYLE "U"**



U-Clamp Panel Mount, Lower Back Connect

**CASE STYLE "V"**



Flush Surface Mount, Lower Back Connect With Back Flange

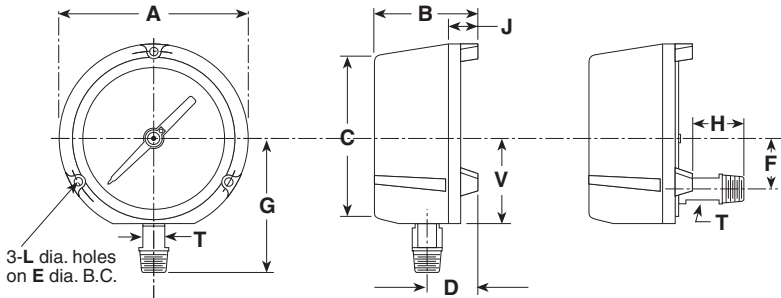
Note: Dimensions in brackets ( ) are millimeters.



Case Styles & Dimensions

4 1/2", 6", 8 1/2"

CASE STYLE "2"

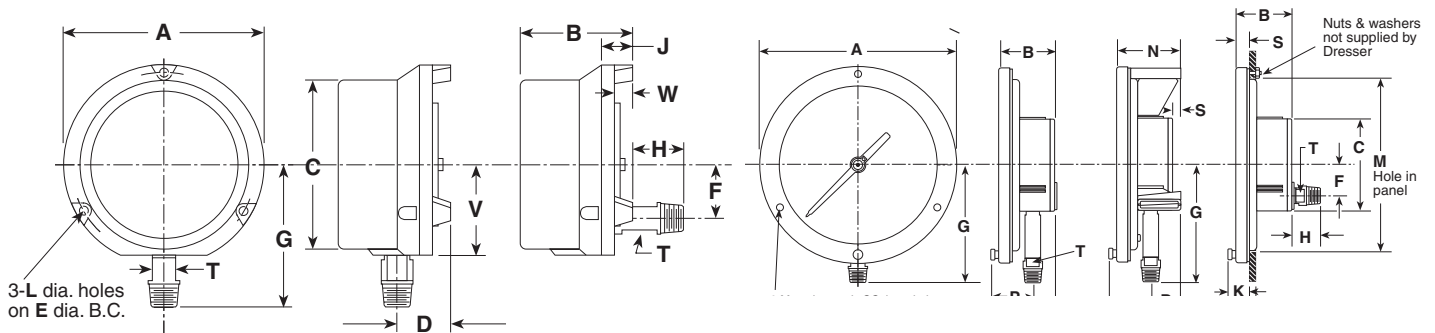


Surface Mount, Lower & Back Connect  
Polypropylene Safety



Dial Size Inches	A	B	C	D	E	F	G	H	J	L	T	V	Weight (lbs)
4 1/2	5 1/16 (148)	3 3/8 (86)	5 1/16 (129)	1 1/8 (41)	5 3/8 (137)	1 1/8 (41)	3 15/16 (100)	3/4 (20)	1 (25)	(6)	5/8 (16)	2 5/8 (67)	2 1/2

CASE STYLE "4"



Surface Mount, Lower & Back Connect  
Aluminum Safety

Dial Size Inches	A	B	C	D	E	F	G	H	J	K
4 1/2	5 1/16 (148)	3 13/32 (86)	4 7/8 (124)	1 1/8 (41)	5 3/8 (137)	1 1/8 (42)	3 15/16 (100)	7/8 (20)	1 1/16 (27)	—
6	7 9/16 (192)	3 1/2 (89)	6 5/8 (162)	1 1/8 (41)	7 (178)	1 1/2 (42)	4 1/2 (114)	(20)	(27)	—
8 1/2	10 1/16 (256)	2 7/8 (73)	4 3/4 (121)	1 1/16 (27)	9 5/8 (244)	1 3/8 (41)	6 (152)	1 3/8 (35)	—	1 1/16 (27)

Dial Size Inches	L	M	N	P	S	T	V	CC	LL	Wgt. (lbs)
4 1/2	.218	—	—	2 1/8 (54)	—	5/8 (16)	2 5/8 (67)	—	—	2 1/2
6	(6)	—	—	(54)	—	(16)	(67)	—	1/8-1/2 (3)(13)	3 3/8
8 1/2	—	9 (228)	3 3/32 (83)	—	1 1/16 (17)	—	—	#10-24	—	4 1/2

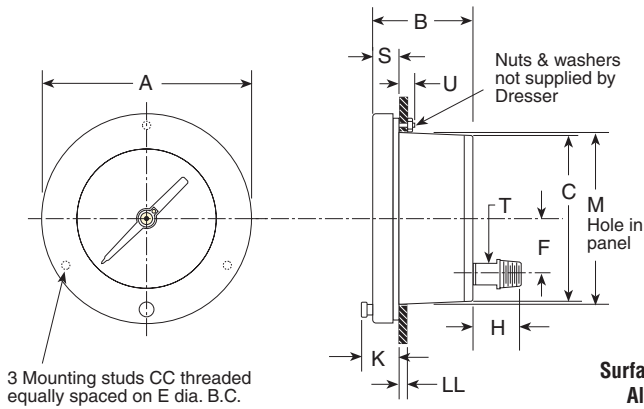




Case Styles & Dimensions

4 1/2", 6", 8 1/2"

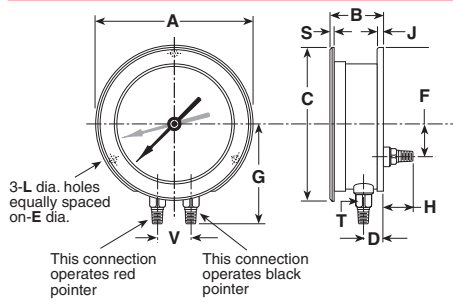
CASE STYLE "6"



CASE STYLE 6

Dial Size Inches	A	B	C	E	F	H	K	M	P	S	T	U	CC	LL	Weight (lbs)
4 1/2	6 1/2 (148)			5 3/8 (137)				4 7/8 (124)					#10-24		2 1/2
6	7 7/16 (192)	2 7/8 (73)	4 3/4 (121)	7 (178)	1 5/8 (41)	1 3/8 (35)	1 1/16 (27)	6 1/2 (165)	2 1/8 (54)	5/8 (16)	5/8 (16)	3/4 (19)	1/4-20	1 1/8-1/2 (3)(13)	3

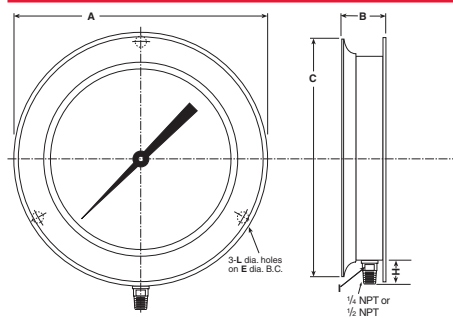
CASE STYLE "A"



CASE STYLE A

Dial Size Inches	A	B	C	D	E	F	G	H	I	J	L	V	AA	HH	Wgt (lbs)
4 1/2	5 13/16 (148)	2 1/4 (57)	5 7/8 (149)	2 7/32 (22)	5 3/8 (137)	1 1/16 (27)	3 25/32 (96)	1 17/32 (39)	1 9/32 (15)	3/8 (10)	7/32 (6)	1 1/2 (38)	—	—	2.4 1.0 kg
6	7 11/16 (18)	2 5/8 (67)	6 9/32 (168)	1 5/16 (24)	7 (178)	1 11/16 (43)	4 15/16 (110)	5 15/32 (37)	5/8 (16)	3/16 (5)	9/32 (7)	1 5/8 (42)	—	—	3.6 1.6 kg

CASE STYLE "E"



CASE STYLE E

Dial Size Inches	A	B	C	D	E	G	J	K	L	M	S	Wgt (lbs)
12	14 1/2 (368)	2 19/16 (75)	14 1/4 (361)	1 1/2 (26)	13 1/2 (343)	7 1/2 (191)	3/16 (5)	—	.281 (7)	12 11/16 (329)	3/16 (5)	8 3.6 kg