

Digital Temperature Indicator TRD16

ELECTRONIC TEMPERATURE SENSORS

- ▶ 96 mm x 48 mm (1/8 DIN)
- ▶ Multi-inputs and Multi-Ranges
- ▶ Large 20mm Red LED Display
- ▶ 2 Times per Second Sampling Code



The Trerice **TRD16 Digital Indicator** is a superb choice when remote digital indication is required. The 2 times per second sampling cycle provides accurate, reliable monitoring, and the large LED display provides easy readability. The TRD16 can be used with any Trerice RTD or Thermocouple. Size is 96 mm x 48 mm (1/8 DIN).

The TRD16 Digital Indicator is specifically designed to interface with the TRS16 Selector Switch by means of an included snap bracket.

Specifications

Model

TRD16

Display 4 digit, 20 mm red LED
Sampling Cycle: 2x/second

Input **Multi** (switchable between)
Thermocouple: B, R, S, K, E, J, T, N;
or RTD: Platinum, 100Ω, 3-wire
Voltage (mV, V): 0-10 mVDC,
0-5 VDC, 0-10 VDC, 1-5 VDC

Current: 4-20 mA

Power Requirements

Supply Voltage:
100-240 VAC/50/60 Hz,
24 VAC/VDC (option)

Consumption:
11 VA (AC) Max
7 W (DC) Max

Accuracy ±0.3% + 1 digit of measuring range

Ambient Temperature

Maximum: 122°F (50°C)
Minimum: 14°F (-10°C)

Humidity Maximum: 90% RH
Non-condensing

Approximate Shipping Weight

0.6 lbs [0.27 kg]

HOW TO ORDER

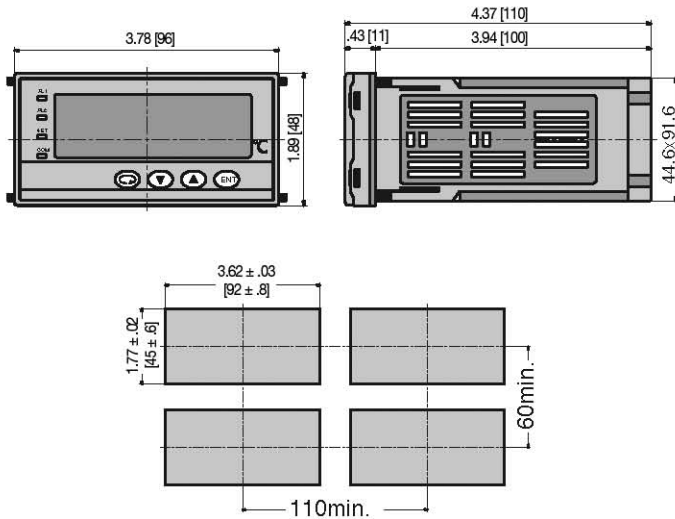
Sample Order Number: **TRD16 8 90 0 4 0**

Model	Input	Power Supply	Alarm	Analog Output	Communication Function
TRD16	8 Multi (T/C, RTD mV, V) 4 mA	90 100-240 VAC 50/60 Hz	0 None	0 None	0 None
		08 24 VAC or 24 VDC 50/60 Hz	1 High/Low	3 0 to 10 mVDC	5 RS485
				4 4 to 20 mA	7 RS232C
				6 0 to 10 VDC	

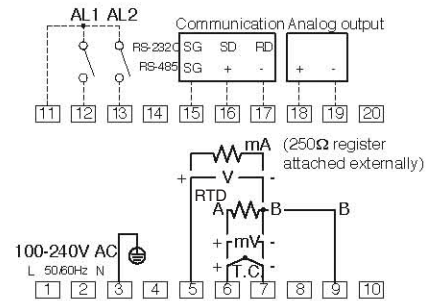
Digital Temperature Indicator TRD16

All dimensions are nominal.
Dimensions in [] are in millimeters.

EXTERNAL DIMENSIONS



TERMINAL ARRANGEMENT



PANEL CUTOUT DIMENSIONS

Programmable Inputs and Ranges

Thermocouple Input			
Code	Type	Range (°C)	Range (°F)
01	B	0 ~ 1800	0 ~ 3300
02	R	0 ~ 1700	0 ~ 3100
03	S	0 ~ 1700	0 ~ 3100
04	K	-199.9 ~ 800.0	-300 ~ 1500
05	K	0 ~ 1200	0 ~ 2200
06	E	0 ~ 700	0 ~ 1300
07	J	0 ~ 600	0 ~ 1100
08	T	-199.9 ~ 300.0	-300 ~ 600
09	N	0 ~ 1300	0 ~ 2300
10	*1 U	-199.9 ~ 300.0	-300 ~ 600
11	*1 L	0 ~ 600	0 ~ 1100
12	*2 WRe5-26	0 ~ 2300	0 ~ 4200
RTD Input			
Code	Type	Range (°C)	Range (°F)
31	Pt100Ω	-200 ~ 600	-300 ~ 1100
32	Pt100Ω	-100.0 ~ 100.0	-150.0 ~ 200.0

Voltage Input			
Code	Type	Range (°C)	Range (°F)
71	0~10mV	Initial value: 0.0~100.0	Thermocouple
81	0~ 5V		B, R, S, K, E, J, T, N:
82	1~ 5V	Scaling setting range: -1999~9999	JIS/ANSI/IEC
83	0~10V	Span: 10~5000 counts	*1 Thermocouple U, L: DIN 43710
Current Input			
95	4~20mA*		*2 Thermocouple WRe5-26: Made of Hoskins

*Uses supplied shunt resistor.

Input and Range Codes are not required for ordering, but are used for field programming.

WARNING: The TRD16 Indicator is designed for the control of temperature, humidity and other physical values of general industrial equipment. (It is not to be used for any purpose which regulates the prevention of serious effects on human life or safety.)

CAUTION: If the possibility of loss or damage to your system or property as a result of failure of any part of the process exists, proper safety measures must be made before the instrument is put into use so as to prevent the occurrence of trouble.