

Saddle-Welded Diaphragm Seals

DIAPHRAGM SEALS



M545 shown

- ▶ Clean-out Design
- ▶ Saddle-Welded Process Connection

The Trerice **Saddle-Welded Diaphragm Seal** is furnished with a Clean-out design, for use on pipe sizes of 1" through 8". The diaphragm seal is installed by welding the process housing directly onto the pipe. Available diaphragm choices include: Teflon (T), Viton (V), Removable Metal (M) and Welded Metal (W).

Selection of the proper diaphragm seal is the sole responsibility of the user. Temperature and pressure limitations must be considered. Please refer to the Diaphragm Seal Design & Operation Section of this catalog. Improper application may cause failure of the seal, resulting in possible personal injury or property damage.

For correct use and application of all diaphragm seals, please refer to Diaphragm Seal Standard ASME B40.2.

SPECIFICATIONS

Style	Available Diaphragm Types*	Diaphragm Size	Process Connection	Clean-out Design	1/4 NPT Flushing Connection
545	M, T, V, W	Standard	Welded	Yes	No
645	M, T, W	Large	Welded	Yes	No

*M = Removable Metal, T = Teflon, V = Viton, W = Welded Metal

Note: Due to the variety of available diaphragm seal configurations and materials, it is not possible to list each weight in this catalog. Please consult factory.

HOW TO ORDER

Sample Order Number: **W 5 45 05 S S CC**

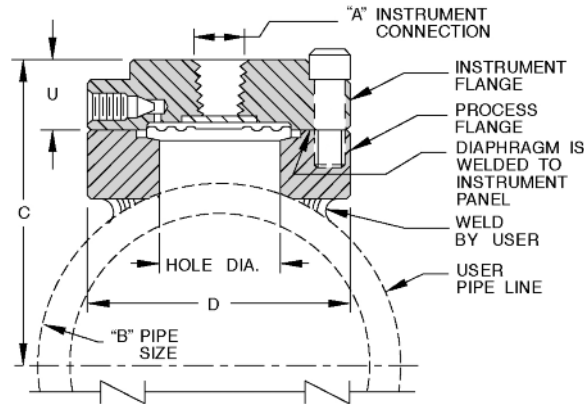
Diaphragm Type	Diaphragm Size	Style	Connection Size	Diaphragm Material	Process Housing Material	Instrument Housing & Bolt Material
M Metal T Teflon V Viton** W Welded	5 Standard 6 Large	45 Saddle-Welded	See Connection Sizes	See Diaphragm Materials	See Process Housing Materials	CC Carbon Steel SS 316 Stainless Steel

**Diaphragm Type V available only with Diaphragm Size 5.

See Sizes and Materials Table

Saddle-Welded Diaphragm Seals

All dimensions are nominal. Dimensions in [] are in millimeters.



DIAPHRAGM SEALS

Diaphragm Type and Size	A	B	U	C	D	Hole Diameter
M, T, W 5 Series	1/4, 1/2 NPT as specified	1	0.88 [22]	2.13 [55]	3.50 [89]	1.00 [25]
		1 1/2	0.88 [22]	2.38 [60]	3.50 [89]	1.50 [38]
		2	0.88 [22]	2.63 [67]	3.50 [89]	1.50 [38]
		3	0.88 [22]	3.25 [83]	3.50 [89]	1.50 [38]
		4	0.88 [22]	3.81 [97]	3.50 [89]	1.50 [38]
		6	0.88 [22]	4.94 [125]	3.50 [89]	1.50 [38]
V 5 Series	1/4, 1/2 NPT as specified	1	1.00 [25]	2.13 [55]	3.50 [89]	1.00 [25]
		1 1/2	1.00 [25]	2.38 [60]	3.50 [89]	1.50 [38]
		2	1.00 [25]	2.63 [67]	3.50 [89]	1.50 [38]
		3	1.00 [25]	3.25 [83]	3.50 [89]	1.50 [38]
		6	1.00 [25]	4.94 [125]	3.50 [89]	1.50 [38]
		8	1.00 [25]	5.94 [151]	3.50 [89]	1.50 [38]
M, T, W 6 Series	1/4, 1/2 NPT as specified	1	0.88 [22]	2.13 [55]	4.25 [108]	1.00 [25]
		1 1/2	0.88 [22]	2.38 [60]	4.25 [108]	1.50 [38]
		2	0.88 [22]	2.63 [67]	4.25 [108]	1.50 [38]
		3	0.88 [22]	3.25 [83]	4.25 [108]	1.50 [38]
		4	0.88 [22]	3.81 [97]	4.25 [108]	1.50 [38]
		6	0.88 [22]	4.94 [125]	4.25 [108]	1.50 [38]
8	0.88 [22]	5.94 [151]	4.25 [108]	1.50 [38]		

Sizes and Materials

Connection Sizes			Diaphragm Materials		Process Housing Materials	
Code	Instrument Connection (NPT)	Process Connection	Code	Material	Code	Material
01	1/4	1" Pipe	D	Carpenter 20	C	Steel
02	1/2	1" Pipe	F	304 Stainless Steel*	D	Carpenter 20
05	1/4	1 1/2" Pipe	G	Hastelloy B	F	304 Stainless Steel
06	1/2	1 1/2" Pipe	H	Hastelloy C-276	G	Hastelloy B
07	1/4	2" Pipe	M	Monel	H	Hastelloy C-276
08	1/2	2" Pipe	N	Nickel	M	Monel
09	1/4	3" Pipe	S	316L Stainless Steel	N	Nickel
10	1/2	3" Pipe	T	Teflon	S	316L Stainless Steel
11	1/4	4" Pipe	U	Tantalum		
12	1/2	4" Pipe	V	Viton**		
13	1/4	6" Pipe				
14	1/2	6" Pipe				
15	1/4	8" Pipe				
16	1/2	8" Pipe				

* 304 Stainless Steel diaphragm not available with Diaphragm Size 6.

** Viton Diaphragm available only with Diaphragm Size 5.