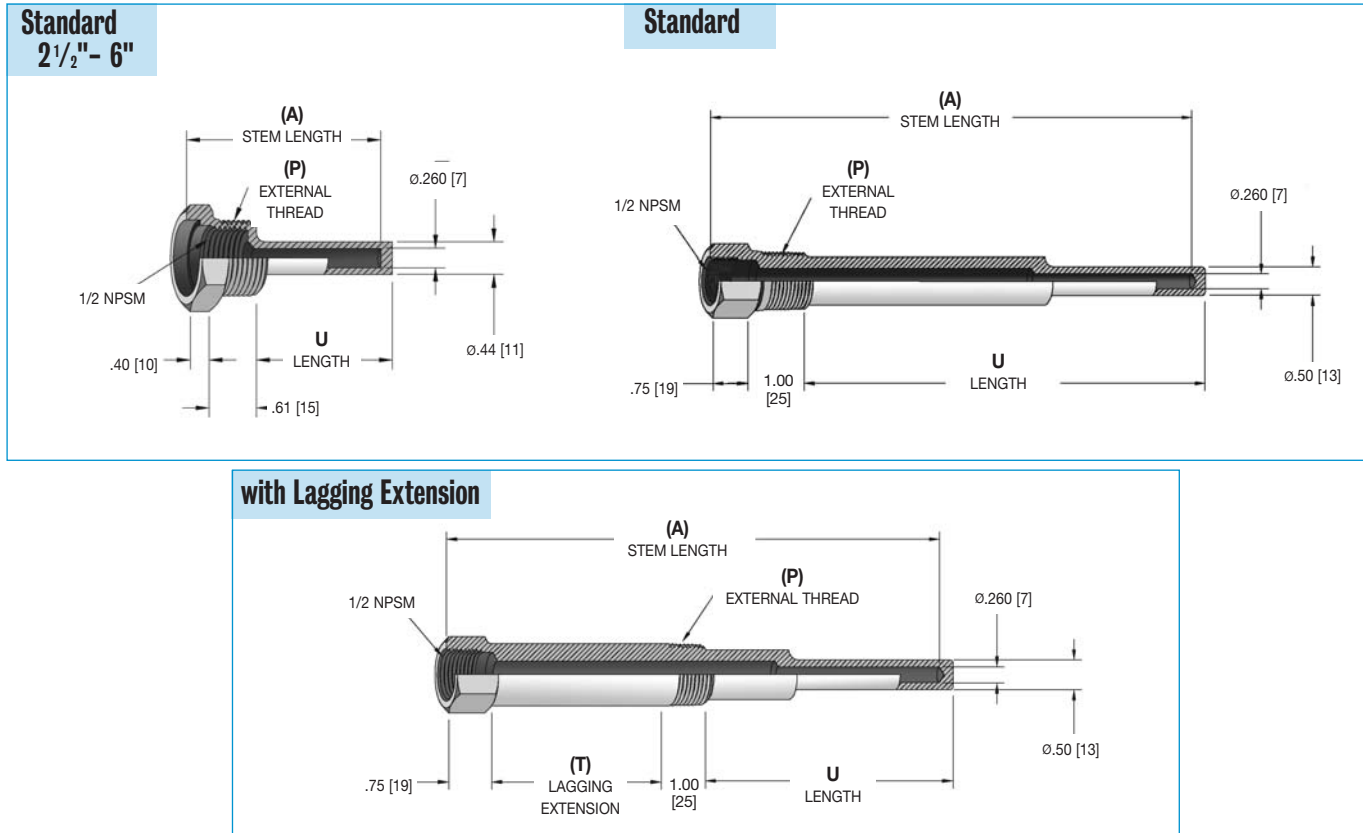


# Thermowells

for RTD & Thermocouple Temperature Sensors

All dimensions are nominal.  
Dimensions in [ ] are in millimeters.

CONTROLLER ACCESSORIES



**Lengths**

(A) Stem Length	Standard U Length	(T) Lagging Extension	Lagging U Length
2 1/2"	1.75 [44]	—	—
4"	2.50 [64]	1.00 [25]	1.50 [38]
6"	4.50 [114]	2.00 [51]	2.50 [64]
9"	7.50 [191]	3.00 [76]	4.50 [114]
12"	10.50 [267]	3.00 [76]	7.50 [191]
15"	13.50 [343]	3.00 [76]	10.50 [267]
18"	16.50 [419]	3.00 [76]	13.50 [343]
24"	22.50 [572]	3.00 [76]	19.50 [495]

**Pressure Rating (PSI)**

Material	Operating Temperature					
	70°F	200°F	400°F	600°F	800°F	1000°F
Brass	5000	4200	1000	—	—	—
Carbon steel	5200	5000	4800	4600	3500	1500
304 stainless steel	7000	6200	5600	5400	5200	4500
316 stainless steel	7000	7000	6400	6200	6100	5100
Monel	6500	6000	5400	5300	5200	1500

Selection of the proper thermowell is the sole responsibility of the user. Temperature and pressure limitations must be considered. Improper application may cause failure of the thermowell, resulting in possible personal injury or property damage.

**HOW TO ORDER**

Sample Order Number: **76-4J6**

Thermowell Style	(P) External Thread	(A) Stem Length	(T) Lagging Extension	Material
<b>76-</b> Sensor, Stepped Shank (2 1/2" - 6" Stem Straight Shank)	<b>3</b> 1/2 NPT*	<b>D</b> 2 1/2" Stem	<b>A</b> 1" Extension (4" Stem only)	<b>2</b> Brass
	<b>4</b> 3/4 NPT	<b>G</b> 4" Stem	<b>C</b> 2" Extension (6" Stem only)	<b>3</b> Steel
	<b>5</b> 1 NPT*	<b>J</b> 6" Stem	<b>E</b> 3" Extension (9" and longer Stem only)	<b>4</b> Monel
		<b>M</b> 9" Stem	Omit if None	<b>5</b> 304SS
		<b>R</b> 12" Stem		<b>6</b> 316SS
		<b>V</b> 15" Stem		
		<b>Wa</b> 18" Stem		
	<b>Wk</b> 24" Stem			

\*Not available with 2 1/2" Stem Length

Other thermowell styles available. Please consult pages 155-161 of the Tertrice Temperature Section.