

Valve Body Selection

(for 940E Series Electric Motor Control Valve)

CAST IRON

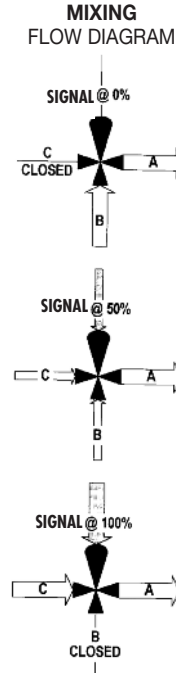
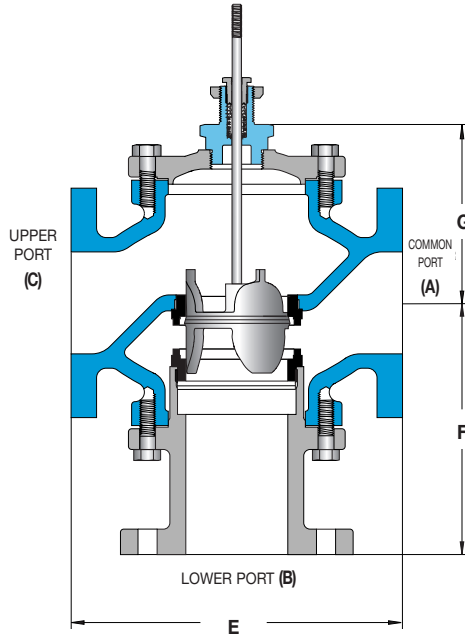
3-WAY • 2 1/2" – 6"



All dimensions are nominal. Dimensions in [] are in millimeters.

CONTROL VALVES

Mixing



Size	Class 125			Class 250		
	E	F	G	E	F	G
2 1/2"	9.0 [229]	7.1 [180]	5.5 [140]	9.6 [244]	7.4 [188]	5.5 [140]
3"	10.0 [254]	7.9 [201]	6.1 [155]	10.8 [274]	8.3 [211]	6.0 [152]
4"	13.0 [330]	9.9 [251]	7.1 [180]	13.6 [345]	10.2 [259]	7.1 [180]
5"	15.8 [401]	9.3 [236]	6.0 [152]	16.6 [422]	10.4 [264]	6.0 [152]
6"	17.8 [452]	9.9 [251]	6.8 [173]	18.6 [472]	11.0 [279]	6.8 [173]

Trelice 3-Way Valves are not designed for use in steam applications. To properly control the mixing of two flows, inlet pressures at ports B and C should be as equal as possible.

Specifications

Body Material	Trim Material	Trim Style	Connection	Pressure & Temperature Rating
Cast-iron	Stainless steel	Linear	Class 125 flanged Class 250 flanged	140 PSI @ 300°F (149°C) 310 PSI @ 300°F (149°C)

Valve Body Selection

Valve Body Number		Size			Maximum Close-Off Pressure (psid)				Approximate Shipping Wt.	
					Actuator Size 25		Actuator Size 26			
Class 125	Class 250	Connection (Flanged)	Nominal Port	C _v	Class III	Class IV	Class III	Class IV	Class 125	Class 250
P75	Q75	2 1/2	2 1/2"	69	40	24	62	46	64 lbs [29.0 kg]	73 lbs [33.1 kg]
P80	Q80	3	3"	85	25	12	41	28	83 lbs [37.6 kg]	94 lbs [42.6 kg]
P85	Q85	4	4"	156	Consult Factory				139 lbs [63.0 kg]	157 lbs [71.2 kg]
P90	Q90	5	5"	270	Consult Factory				157 lbs [71.2 kg]	211 lbs [95.7 kg]
P95	Q95	6	6"	347	Consult Factory				202 lbs [91.6 kg]	283 lbs [128.4 kg]

Valve Body Selection

CAST IRON

(for 940E Series Electric Motor Control Valve)

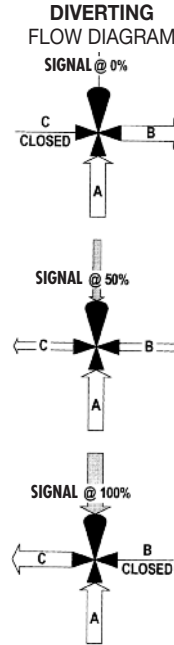
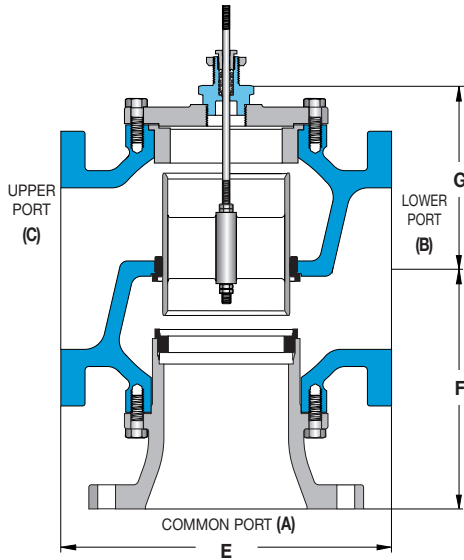
All dimensions are nominal. Dimensions in [] are in millimeters.



3-WAY • 2 1/2" – 5"

CONTROL VALVES

Diverting



Size	Class 125			Class 250		
	E	F	G	E	F	G
2 1/2"	9.0 [229]	7.1 [180]	5.5 [140]	9.6 [244]	7.4 [188]	5.5 [140]
3"	10.0 [254]	8.0 [203]	6.1 [155]	10.8 [274]	8.4 [213]	6.1 [155]
4"	13.0 [330]	9.9 [251]	7.1 [180]	13.6 [345]	10.3 [262]	7.1 [180]
5"	12.0 [305]	10.5 [267]	7.5 [191]	12.9 [328]	11.0 [279]	7.5 [191]

Terice 3-Way Valves are not designed for use in steam applications.

Specifications

Body Material	Trim Material	Trim Style	Connection	Pressure & Temperature Rating
Cast-iron	Bronze	Linear	Class 125 flanged Class 250 flanged	140 PSI @ 300°F (149°C) 310 PSI @ 300°F (149°C)

Valve Body Selection

Valve Body Number					Maximum Close-Off Pressure (psid)*		Approximate Shipping Wt.	
Class 125	Class 250	Connection (Flanged)	Size Nominal Port	C _v	Actuator Size 26		Class 125	Class 250
					Class III	Class IV		
K75	L75	2 1/2	2 1/2"	68	125	x	59 lbs [26.8 kg]	73 lbs [33.1 kg]
K80	L80	3	3"	85	125	x	78 lbs [35.4 kg]	94 lbs [42.6 kg]
K85	L85	4	4"	160	Consult Factory		138 lbs [62.6 kg]	157 lbs [71.2 kg]
K90	L90	5	5"	195	Consult Factory		152 lbs [68.9 kg]	213 lbs [96.6 kg]

*Close-Off is Class II