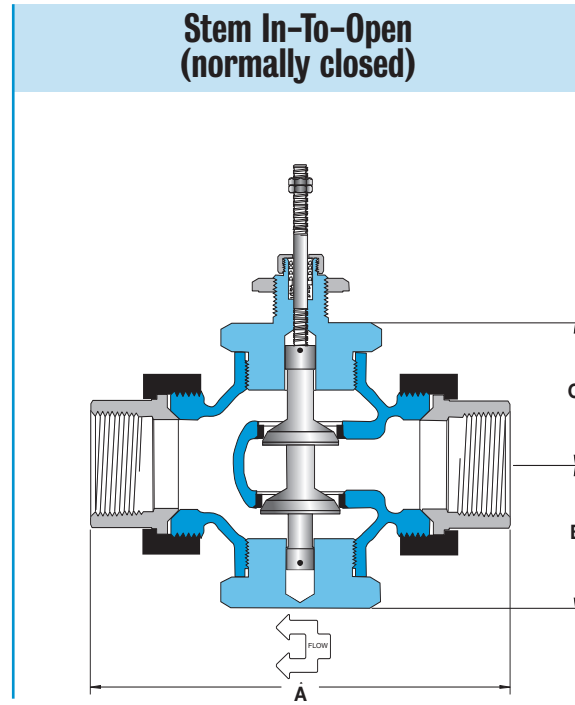
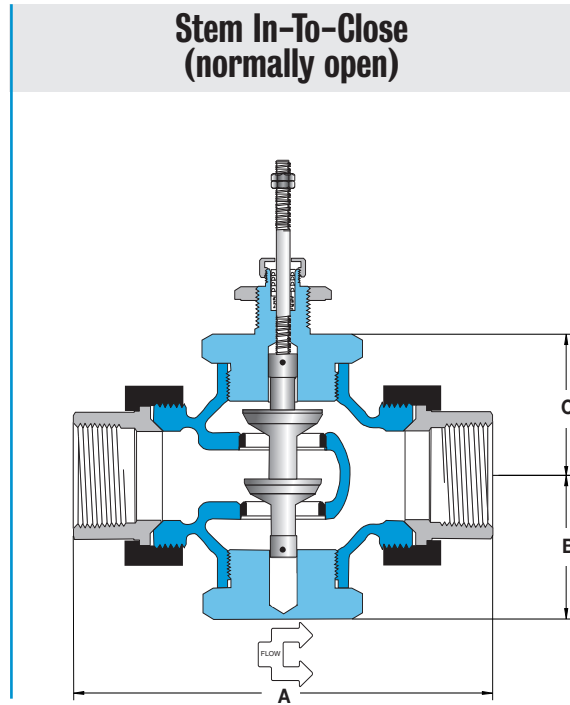


All dimensions are nominal. Dimensions in [] are in millimeters

Double Seat • 3/4" – 2"

CONTROL VALVES



Specifications

Body Material	Trim Material	Trim Style	Connection	Pressure & Temperature Rating
Bronze	Stainless steel	Modified linear	Threaded, malleable iron union ends	250 PSI @ 410°F (210°C)

Valve Body Selection

In-To-Close (Normally Open)				Maximum Close-Off Pressure (psid)			Dimensions			Approximate Shipping Wt.
Valve Body Number	Size		C _v	910A	Actuator		A	B	C	
	Connection (NPT)	Nominal Port			910B	910C				
A21	3/4	3/4"	8	250	x	x	5.6 [142]	2.3 [58]	2.3 [58]	5.0 lbs [2.25 kg]
A29	1	1"	12	250	x	x	6.0 [152]	2.3 [58]	2.3 [58]	6.1 lbs [2.75 kg]
A39	1 1/4	1 1/4"	21	250	x	x	7.2 [183]	2.6 [66]	2.6 [66]	10.1 lbs [4.55 kg]
A50	1 1/2	1 1/2"	30	250	x	x	7.7 [196]	2.6 [66]	2.6 [66]	11.1 lbs [5.00 kg]
A61	2	2"	47	200	x	x	8.6 [218]	3.1 [79]	3.1 [79]	17.0 lbs [7.65 kg]

In-To-Open (Normally Closed)				Maximum Close-Off Pressure (psid)			Dimensions			Approximate Shipping Wt.
Valve Body Number	Size		C _v	910A	Actuator		A	B	C	
	Connection (NPT)	Nominal Port			910B	910C				
A24	3/4	3/4"	8	250	x	x	5.6 [142]	2.3 [58]	2.3 [58]	5.0 lbs [2.25 kg]
A33	1	1"	12	250	x	x	6.0 [152]	2.3 [58]	2.3 [58]	6.1 lbs [2.75 kg]
A44	1 1/4	1 1/4"	21	250	x	x	7.2 [183]	2.6 [66]	2.6 [66]	10.1 lbs [4.55 kg]
A55	1 1/2	1 1/2"	30	250	x	x	7.7 [196]	2.6 [66]	2.6 [66]	11.1 lbs [5.00 kg]
A66	2	2"	47	200	x	x	8.6 [218]	3.1 [79]	3.1 [79]	17.0 lbs [7.65 kg]