

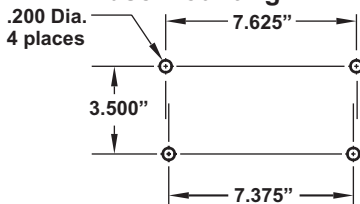
Blue-White

CHEM-FEED[®] Diaphragm Metering Pumps

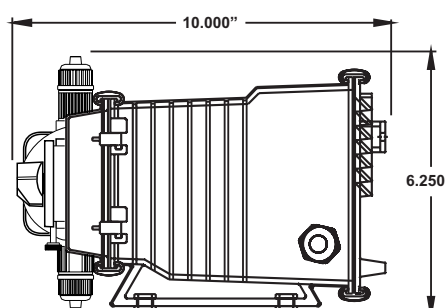
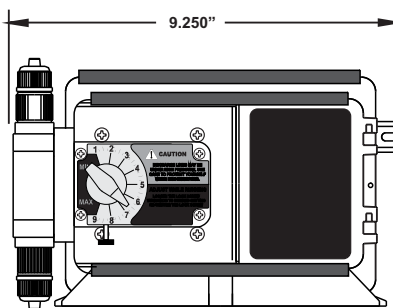
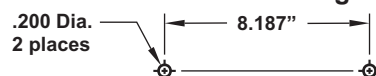
Industries, Ltd.

Dimensions:

Base Mounting



Rear Panel Mounting



Model Number Matrix:

MODEL C 11 X

Pump system selection C = Pump without tank system T = Pump mounted on STAR-3 tank	Footvalve / Tank Capacity 0 = C-340 1 = C-345 2 = C-340-6T A = 7 Gallons (U.S.) B = 15 Gallons (U.S.) C = 30 Gallons (U.S.)
Output Control V = Digital speed control with external input F = Analog speed control C = Analog timer, 5 sec. Cycle - 100% duty A = Analog timer, 60 sec. Cycle - 100% duty E = Digital batch timer with external input X = No output control - fixed feed rate	Injection Fitting 0 = A-014HD (Polypropylene - 1/2 lb spring) 1 = C-395HD (Polypropylene - 6 lb spring) A = A-014-6T (Teflon - 1/2 lb spring) B = C-395-6T (Teflon - 6 lb spring) C = A-014HDK (PVDF - 1/2 lb spring) D = C-395HDK (PVDF - 6 lb spring)
Maximum Motor RPM 0 = 14 RPM 3 = 60 RPM 1 = 30 RPM 4 = 125 RPM 2 = 45 RPM 5 = 250 RPM	Elastomer Material V = Viton E = EP
Power Supply (motor protection) 4 = 115V60Hz (TP) 5 = 220V50Hz (TP) 6 = 230V60Hz (TP) 7 = 240V50Hz (TP) TP = Thermal protection	Diaphragm Style 0 = Large Teflon/EP 1 = Large Teflon/Viton 6 = Small Teflon / EP 7 = Small Teflon / EP
Cam Stroke Length 1 = .125" 3 = .187" 2 = .055" 4 = .100"	Pump Head Style 0 = Large Diaphragm 2 = Small Diaphragm 5 = Large Pressure release 7 = Large Diaphragm w/single ball valve
Electrical Options X = Standard Equipment A = Junction box replaces power cord P = Power cord and junction box R = 230V Power cord w/NEMA 6/15 plug Z = Proportional feed system - JBox/Cord	Pump Head Material 0 = Injection molded Polypropylene 4 = Machined Teflon 5 = Machined Acrylic

Flow rate and pressure capacities:

Max Output at 0 PSI				Strokes	Max	115V/60Hz	230V/60Hz	220V/50Hz
GPD	GPH	LPH	OZ/MIN	Per minute	PSI	Model Number	Model Number	Model Number
57.7	2.4	9.1	5.1	60	150	C11X344X000V00	C11X364X000V00	C11X354X000V00
119.7	4.9	18.9	10.6	125	150	C11X444X000V00	C11X464X000V00	C11X454X000V00
155.9	6.4	24.6	13.8	125	150	C11X441X000V00	C11X461X000V00	C11X451X000V00
260.8	10.8	41.1	23.1	250	100	C11X544X000V00	C11X564X000V00	C11X554X000V00
360.0	15.0	56.8	32.0	250	25	C11X543X000V00	C11X563X000V00	C11X553X000V00

Maximum Output vs. Pressure

