

Blue-White[®]

Industries, Ltd.

CHEM-FEED[®] Diaphragm Metering Pumps

Engineering and Technical Data

C-1100C

Fixed Speed
Dial Knob Control
5 Second Cycle Timer



Features:

- Double-ball inlet and outlet cartridge type ceramic check valves. Chemical resistant PVDF valve body and fitting, ceramic balls, Viton static seals and TFE/P ball seat o-rings. No metal springs are used.
- Stroke adjustment from 5-100% permits accurate small injections at a high rate per minute.
- Adjustable 5 second repeating interval timer. 0.25 - 5.0 second adjustable on time per 5 second cycle.
- Easy to use dial knob adjustment.
- Outputs to 15 GPH (56.8 LPH).
- Output pressures to 150 PSI (10.3 bar).
- Teflon coated EP diaphragm.
- PVDF suction (foot) valve with Viton and TFE/P o-rings, ceramic check ball and removable polypropylene filter screen.
- Includes 3/8" OD suction and discharge tubing, Injection fitting with spring-loaded check valve and all mounting hardware.
- Compatible with Blue-White's output flow verification sensor system.
- Durable housing of chemical resistant Valox (PBT) thermoplastic.

Specifications:

Max. working pressure:150 psig (10.3 bar)
 Max. fluid temperature:130° F (54° C)
 Max. Ambient temperature: ..14° to 110° F/ -10° to 43° C
 Maximum viscosity:1,000 Centipoise
 Maximum suction lift:10 ft. Water 0 psig
 Output adjustment range:400:1
 Stroke length:5-100%
 Cycle Timer:5-100%
 Duty cycle:Continuous
 Enclosure:NEMA 3R, (IP23)
 Approximate shipping wt: ...10 lb. (4.2 kg)

Voltage (max amp):115VAC/60Hz, 14 & 30 rpm = 1.37 amp
 45, 60, 125, 250 rpm = 1.87 amp
 230VAC/60Hz, 14 & 30 rpm = 0.64 amp
 45, 60, 125, 250 rpm = 0.74 amp
 220VAC/50Hz, 14 & 30 rpm = 0.68 amp
 45, 60, 125, 250 rpm = 1.14 amp
 240VAC/50Hz, 14 & 30 rpm = 0.66 amp
 45, 60, 125, 250 rpm = 1.04 amp
 Power Cord Plug Type:115V60Hz = NEMA 5/15 (USA)
 230V60Hz = NEMA 6/15 (USA)
 220V50Hz = CEE 7/VII (EUROPE)
 240V50Hz = CEE 7/VII (EUROPE)

Materials of Construction:

Wetted components:

Pump Head:Polypropylene (options: Teflon, Acrylic)
 Pump Head Inlet/outlet Valves:
 Cartridge valve body:PVDF
 Tube adapters:PVDF
 Check Balls:Ceramic
 Ball Seat O-ring:TFE/P (optional EP)
 Static Seal O-ring:Viton[®] (optional EP)
 Suction Tubing:Clear PVC
 Discharge Tubing:Natural Polyethylene (LLDPE)

Suction Footvalve/Strainer:

Body & Tubing adapter:PVDF (optional Teflon)
 Strainer:Polypropylene
 Check Ball:Ceramic (optional Teflon poppet)
 Ball Seat O-ring:TFE/P (optional EP)
 Static Seal O-ring:Viton[®] (optional EP)

Injection/Check valve:

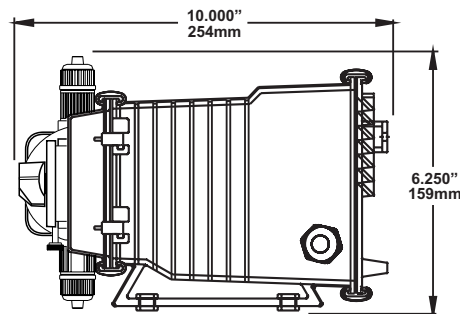
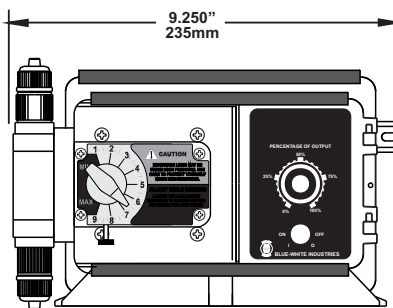
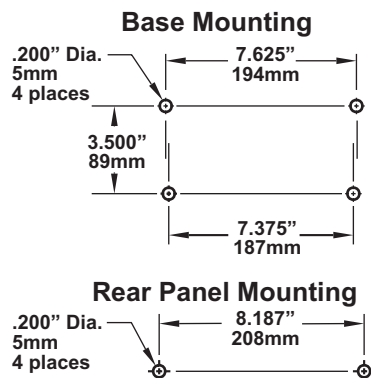
Body & insert:Polypropylene (optional PVDF, Teflon)
 Check Ball:Ceramic (optional Teflon poppet)
 Spring:Hastelloy C-276
 Ball Seat O-ring:TFE/P (optional EP)
 Static Seal O-ring:Viton[®] (optional EP)

Blue-White

CHEM-FEED[®] Diaphragm Metering Pumps

Industries, Ltd.

Dimensions:



Model Number Matrix:

MODEL	C	11	C											
Pump system selection C = Pump without tank system T = Pump mounted on STAR-3 tank														
Output Control V = Digital speed control with external input F = Analog speed control C = Analog timer, 5 sec. Cycle - 100% duty A = Analog timer, 60 sec. Cycle - 100% duty E = Digital batch timer with external input X = No output control - fixed feed rate														
Maximum Motor RPM 0 = 14 RPM 3 = 60 RPM 1 = 30 RPM 4 = 125 RPM 2 = 45 RPM 5 = 250 RPM														
Power Supply (motor protection) 4 = 115V60Hz (TP) 5 = 220V50Hz (TP)* 6 = 230V60Hz (TP) 7 = 240V50Hz (TP)* TP = Thermal protection														
Cam Stroke Length 1 = .125" 3 = .187" 2 = .055" 4 = .100"														
Electrical Options X = Standard Equipment A = Junction box replaces power cord P = Power cord and junction box R = 230V Power cord w/NEMA 6/15 plug Z = Proportional feed system - JBox/Cord														
Footvalve / Tank Capacity 0 = C-340 1 = C-345 2 = C-340-6T A = 7 Gallons (U.S.) B = 15 Gallons (U.S.) C = 30 Gallons (U.S.)														
Injection Fitting 0 = A-014HD (Polypropylene - ½ lb spring) 1 = C-395HD (Polypropylene - 6 lb spring) A = A-014-6T (Teflon - ½ lb spring) B = C-395-6T (Teflon - 6 lb spring) C = A-014HDK (PVDF - ½ lb spring) D = C-395HDK (PVDF - 6 lb spring)														
Elastomer Material V = Viton E = EP														
Diaphragm Style 0 = Large Teflon/EP 1 = Large Teflon/Viton 6 = Small Teflon / EP 7 = Small Teflon / EP														
Pump Head Style 0 = Large Diaphragm 2 = Small Diaphragm 5 = Large Pressure release 7 = Large Diaphragm w/single ball valve														
Pump Head Material 0 = Injection molded Polypropylene 4 = Machined Teflon 5 = Machined Acrylic														

Flow rate and pressure capacities:

Max Output at 0 PSI				Strokes	Max	115V/60Hz	230V/60Hz	220V/50Hz*
GPD	GPH	LPH	OZ/MIN	Per minute	PSI	Model Number	Model Number	Model Number
57.7	2.4	9.1	5.1	60	150	C11C344X000V00	C11C364X000V00	C11C354X000V00
119.7	4.9	18.9	10.6	125	150	C11C444X000V00	C11C464X000V00	C11C454X000V00
155.9	6.4	24.6	13.8	125	150	C11C441X000V00	C11C461X000V00	C11C451X000V00
260.8	10.8	41.1	23.1	250	100	C11C544X000V00	C11C564X000V00	C11C554X000V00
360.0	15.0	56.8	32.0	250	25	C11C543X000V00	C11C563X000V00	C11C553X000V00

Note: 50Hz units deliver 20% less output PSI

