

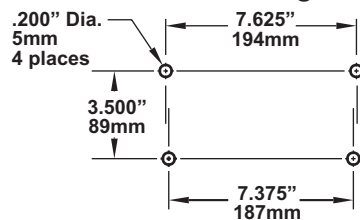
Blue-White

CHEM-FEED Diaphragm Metering Pumps

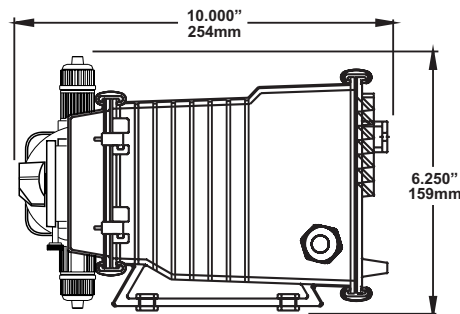
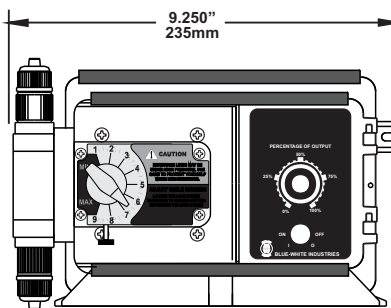
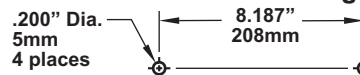
Industries, Ltd.

Dimensions:

Base Mounting



Rear Panel Mounting



Model Number Matrix:

MODEL	C	11	F									
Pump system selection	C = Pump without tank system T = Pump mounted on STAR-3 tank											
Output Control	V = Digital speed control with external input F = Analog speed control C = Analog timer, 5 sec. Cycle - 100% duty A = Analog timer, 60 sec. Cycle - 100% duty E = Digital batch timer with external input X = No output control - fixed feed rate											
Maximum Motor RPM	0 = 14 RPM 3 = 60 RPM 1 = 30 RPM 4 = 125 RPM 2 = 45 RPM 5 = 250 RPM											
Power Supply (motor protection)	4 = 115V60Hz (TP) 5 = 220V50Hz (TP) 6 = 230V60Hz (TP) 7 = 240V50Hz (TP) TP = Thermal protection											
Cam Stroke Length	1 = .125" 3 = .187" 2 = .055" 4 = .100"											
Electrical Options	X = Standard Equipment A = Junction box replaces power cord P = Power cord and junction box R = 230V Power cord w/NEMA 6/15 plug Z = Proportional feed system - JBox/Cord											
Footvalve / Tank Capacity	0 = C-340 1 = C-345 2 = C-340-6T A = 7 Gallons (U.S.) B = 15 Gallons (U.S.) C = 30 Gallons (U.S.)											
Injection Fitting	0 = A-014HD (Polypropylene - 1/2 lb spring) 1 = C-395HD (Polypropylene - 6 lb spring) A = A-014-6T (Teflon - 1/2 lb spring) B = C-395-6T (Teflon - 6 lb spring) C = A-014HDK (PVDF - 1/2 lb spring) D = C-395HDK (PVDF - 6 lb spring)											
Elastomer Material	V = Viton E = EP											
Diaphragm Style	0 = Large Teflon/EP 1 = Large Teflon/Viton 6 = Small Teflon / EP 7 = Small Teflon / EP											
Pump Head Style	0 = Large Diaphragm 2 = Small Diaphragm 5 = Large Pressure release 7 = Large Diaphragm w/single ball valve											
Pump Head Material	0 = Injection molded Polypropylene 4 = Machined Teflon 5 = Machined Acrylic											

Flow rate and pressure capacities:

Max Output at 0 PSI				Strokes	Max	115V/60Hz	230V/60Hz	220V/50Hz
GPD	GPH	LPH	OZ/MIN	Per minute	PSI	Model Number	Model Number	Model Number
57.7	2.4	9.1	5.1	60	150	C11F344X000V00	C11F364X000V00	C11F354X000V00
119.7	4.9	18.9	10.6	125	150	C11F444X000V00	C11F464X000V00	C11F454X000V00
155.9	6.4	24.6	13.8	125	150	C11F441X000V00	C11F461X000V00	C11F451X000V00
260.8	10.8	41.1	23.1	250	100	C11F544X000V00	C11F564X000V00	C11F554X000V00
360.0	15.0	56.8	32.0	250	25	C11F543X000V00	C11F563X000V00	C11F553X000V00

Maximum Output vs. Pressure

