

Blue-White®

Industries, Ltd.**FLEXFLO® Peristaltic Metering Pumps**

Engineering and Technical Data

A-100NF

Variable Speed**Dial Knob Control**

Features:

- Peristaltic pump design does not have valves that can clog requiring maintenance.
- Self priming - even against maximum line pressure. By-pass valves are not required. Cannot vapor lock or lose prime.
- Outputs to 5.17 GPH (19.56 LPH).
- Output pressures to 100 PSI (6.9 bar).
- Output volume is not effected by changes in back pressure.
- Patented pump tube design installs easily and stays centered on the rollers without manual adjustment.
- Two pump tubes supplied with each pump. No extra tubing required.
- Easy to use dial knob speed adjustment.
- Built-in Tube Failure Detection system (TFD). Senses chemical in the pump head, shuts off the pump and activates an NPN open collector output.
- Compatible with Blue-White's output flow verification sensor system.
- Durable housing of chemical resistant Valox (PBT) thermoplastic.

Specifications:

Max. working pressure: 100 psig (6.9 bar)

Max. fluid temperature: 130° F (54° C)

Max. ambient temperature: 14° to 110° F / -10° to 43° C

Output adjustment range: 5-100% in 1% increments

Duty cycle: Continuous

Maximum viscosity: 5,000 Centipoise

Maximum suction lift: 30 ft. Water 0 psig

Maximum Solids: 50% by volume

Enclosure: NEMA 3R, (IP23)

Voltage (amp draw): 115VAC/60Hz, 1ph (.513 amp max)

230VAC/60Hz, 1ph (.563 amp max)

220VAC/50Hz, 1ph (.660 amp max)

240VAC/50Hz, 1ph (.585 amp max)

Power Cord Plug Type: 115V60Hz = NEMA 5/15 (USA)

230V60Hz = NEMA 6/15 (USA)

220V50Hz = CEE 7/VII (EUROPE)

240V50Hz = CEE 7/VII (EUROPE)

Approximate shipping wt: 12 lb. (5.4 kg)

Materials of Construction:

Wetted components:

Pump Tube Assembly: Norprene®, Tygothane® or Viton® tubing
PVDF tube assembly connection fittings

Suction Tubing: Clear PVC

Suction Strainer: Natural Polypropylene

Discharge Tubing: Natural Polyethylene (LLDPE)

Injection/Check valve:

Body & insert: Polypropylene (optional PVDF)

Check Ball: Ceramic

Spring: Hastelloy C-276

Ball Seat O-ring: TFE/P (optional EP)

Static Seal O-ring: Viton® (optional EP)

Non-Wetted components:

Pump Head & Enclosure: Valox® (PBT) thermoplastic

Pump Head Cover: Clear PVC

Cover Screws: 300 Stainless, Polypropylene cap

Roller Assembly:

Rotor: Valox® (PBT)

Rollers: Nylon

Roller Bearings: Bronze

Motor Shaft: Nickel plated steel

TFD System Sensor pins: Hastelloy C-276

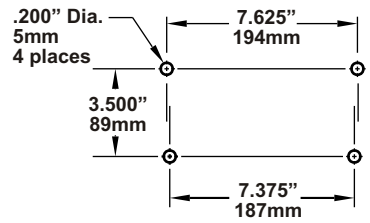
Power Cord: 3 conductor, SJTW-A Water-resistant

Blue-White Industries, Ltd.

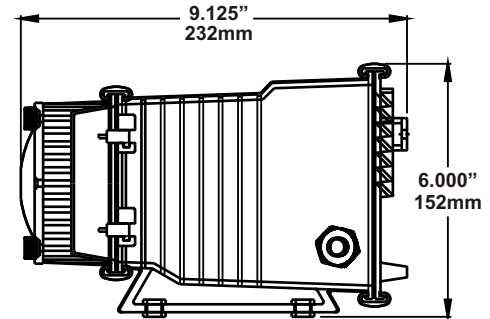
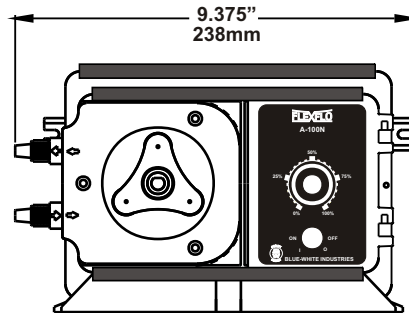
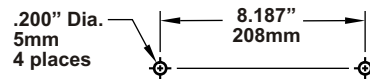
FLEXFLO® Peristaltic Metering Pumps

Dimensions:

Base Mounting



Rear Panel Mounting



Model Number Matrix:

MODEL A1N [] [] F - [] - []

Maximum Motor RPM	
0	= 14 RPM
1	= 30 RPM
2	= 45 RPM
3	= 60 RPM

Power Supply	
0	= 115V60Hz
1	= 220V50Hz
2	= 230V60Hz
8	= 240V50Hz

Output Control	
F	= Analog speed control
V	= Digital speed control with external input
E	= Digital batch timer with external input
A	= Analog timer, 60 sec. Cycle - 100% duty
C	= Analog timer, 5 sec. Cycle - 100% duty
S	= Analog timer, 60 sec. Cycle - 10% duty
Z	= Proportional feed system - JBox/Cord
X	= No output control - fixed feed rate

Miscellaneous Options (not required)	
1	= T140-6V injector replaces A-014HD-6A
2	= C-340V footvalve replaces C-342-6 strainer
5	= A-014HDK-6A injector PVDF
T7	= 7 gallon chemical tank system
T15	= 15 gallon chemical tank system
T30	= 30 gallon chemical tank system

Tubing Connection Type	
T	= Compression tube nuts
Q	= Push-on quick connect

Pump Tube Size and Material	
1	= 1/4" OD Tygothane
2	= 3/8" OD Tygothane
3	= 7/16" OD Tygothane
4	= 1/4" OD Norprene
5	= 5/16" OD Viton
6	= 3/8" OD Norprene
7	= 7/16" OD Norprene

Maximum Flow rate and pressure capacities:

Tube no.	Tubing Material	14 RPM MODELS					30 RPM MODELS					45 RPM MODELS					60 RPM MODELS				
		ml/m	oz/m	lph	gph	PSI(bar)	ml/m	oz/m	lph	gph	PSI(bar)	ml/m	oz/m	lph	gph	PSI(bar)	ml/m	oz/m	lph	gph	PSI(bar)
1	Tygothane	15	0.51	0.90	0.24	65(4.5)	35	1.18	2.10	0.55	65(4.5)	54	1.83	3.24	0.86	65(4.5)	67	2.26	4.02	1.06	65(4.5)
2	Tygothane	32	1.08	1.92	0.51	65(4.5)	75	2.54	4.50	1.19	65(4.5)	115	3.89	6.90	1.82	65(4.5)	140	4.73	8.40	2.22	65(4.5)
3	Tygothane	73	2.47	4.37	1.16	50(3.5)	173	5.85	10.38	2.74	50(3.5)	261	8.82	15.66	4.14	50(3.5)	326	11.01	19.56	5.17	50(3.5)
4	Norprene	6	0.20	0.36	0.10	100(6.9)	13	0.44	0.78	0.21	100(6.9)	21	0.20	1.26	0.10	100(6.9)	25	0.85	1.50	0.40	75(5.2)
5	Viton	11	0.37	0.66	0.17	25(1.7)	26	0.88	1.56	0.41	25(1.7)	39	1.31	2.34	0.62	25(1.7)	48	1.62	2.88	0.76	25(1.7)
6	Norprene	18	0.61	1.08	0.29	100(6.9)	42	1.42	2.52	0.67	100(6.9)	63	2.13	3.78	1.00	100(6.9)	79	2.67	4.74	1.25	75(5.2)
7	Norprene	57	1.92	3.42	0.90	50(3.5)	138	4.66	8.28	2.19	50(3.5)	200	6.76	12.00	3.17	50(3.5)	250	8.45	15.00	3.96	50(3.5)

Gallons shown are U.S. Gallons

Replacement Pump Tubes:

Pump Model Number Suffix	Pump Tube Part Number	Pump Tube Material	Nominal Pump Tube OD
-1T	A-002N-1T	Tygothane	1/4" (6,4mm)
-2T	A-002N-2T	Tygothane	3/8" (9,5mm)
-3T	A-002N-3T	Tygothane	7/16" (11,1mm)
-4T	A-002N-4T	Norprene	1/4" (6,4mm)
-5T	A-002N-5T	Viton	5/16" (7,9mm)
-6T	A-002N-6T	Norprene	3/8" (9,5mm)
-7T	A-002N-7T	Norprene	7/16" (11,1mm)
-1Q	A-002N-1Q	Tygothane	1/4" (6,4mm)
-2Q	A-002N-2Q	Tygothane	3/8" (9,5mm)
-4Q	A-002N-4Q	Norprene	1/4" (6,4mm)
-6Q	A-002N-6Q	Norprene	3/8" (9,5mm)