

Blue-White[®]

Industries, Ltd.**FLEXFLO[®] Peristaltic Metering Pumps**

Engineering and Technical Data

A-100NV

Variable Speed**Digital Control****4-20mA, 0-10VDC
& Pulse Inputs**

Features:

- Peristaltic pump design does not have valves that can clog requiring maintenance.
- Self priming - even against maximum line pressure. By-pass valves are not required. Cannot vapor lock or lose prime.
- Outputs to 5.17 GPH (19.56 LPH).
- Output pressures to 100 PSI (6.9 bar).
- Output volume is not effected by changes in back pressure.
 - Patented pump tube design installs easily and stays centered on the rollers without manual adjustment.
- Two pump tubes supplied with each pump. No extra tubing required.
- Accepts 4-20mA, 0-10Vdc, and Pulse inputs for manual or external speed control.
- Operator friendly digital touch pad.
 - Easy to read LCD display
 - Service and Alarm indicator icons.
 - Display motor speed or input signal values.
 - Prime mode for easy priming without changing programming.
- Built-in Tube Failure Detection system (TFD). Senses chemical in the pump head, shuts off the pump and activates a 1 amp alarm relay (dry contact closure).
- Compatible with Blue-White's output flow verification sensor system.
- Durable housing of chemical resistant Valox (PBT) thermoplastic.

Specifications:

Max. working pressure:100 psig (6.9 bar)

Max. fluid temperature:130° F (54° C)

Max. ambient temperature: ...14° to 110° F / -10° to 43° C

Output adjustment range:5-100% in 1% increments

Duty cycle:.....Continuous

Maximum viscosity:5,000 Centipoise

Maximum suction lift:30 ft. Water 0 psig

Maximum Solids:50% by volume

Enclosure:NEMA 3R, (IP23)

Voltage (amp draw):115VAC/60Hz, 1ph (.350 amp max)

230VAC/60Hz, 1ph (.173 amp max)

220VAC/50Hz, 1ph (.175 amp max)

240VAC/50Hz, 1ph (.193 amp max)

Power Cord Plug Type:115V60Hz = NEMA 5/15 (USA)

230V60Hz = NEMA 6/15 (USA)

220V50Hz = CEE 7/II (EUROPE)

240V50Hz = CEE 7/II (EUROPE)

Approximate shipping wt: ...12 lb. (5.4 kg)

Materials of Construction:

Wetted components:

Pump Tube Assembly:.....Norprene[®], Norprene Chemical[®],
Tygothane[®] or Viton[®] tubing
with PVDF connection fittings

Suction Tubing:.....Clear PVC

Suction Strainer:Natural Polypropylene

Discharge Tubing:.....Natural Polyethylene (LLDPE)

Injection/Check valve:

Body & insert:Polypropylene (optional PVDF)

Check Ball:Ceramic

Spring:Hastelloy C-276

Ball Seat O-ring:TFE/P (optional EP)

Static Seal O-ring:Viton[®] (optional EP)

Non-Wetted components:

Pump Head & Enclosure:Valox[®] (PBT) thermoplastic

Pump Head Cover:Clear PVC

Cover Screws:300 Stainless, Polypropylene cap

Roller Assembly:

Rotor:Valox[®] (PBT)

Rollers:Nylon

Roller Bearings:Bronze

Motor Shaft:Nickel plated steel

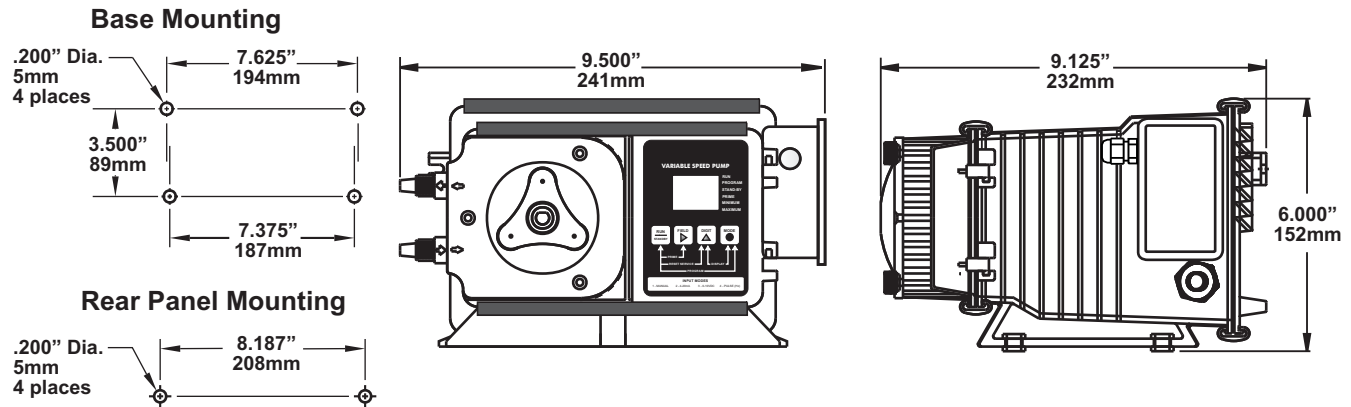
TFD System Sensor pins:Hastelloy C-276

Power Cord:3 conductor, SJTW-A Water-resistant

Blue-White Industries, Ltd.

FLEXFLO® Peristaltic Metering Pumps

Dimensions:



Model Number Matrix:

MODEL A1N [] [] **V** - [] - []

<p>Maximum Motor RPM</p> <p>0 = 14 RPM 1 = 30 RPM 2 = 45 RPM 3 = 60 RPM</p>	<p>Miscellaneous Options (not required)</p> <p>1 = T140-6V injector replaces A-014HD-6A 2 = C-340V footvalve replaces C-342-6 strainer 5 = A-014HDK-6A injector PVDF T7 = 7 gallon chemical tank system T15 = 15 gallon chemical tank system T30 = 30 gallon chemical tank system</p>	
<p>Power Supply</p> <p>0 = 115V60Hz 1 = 220V50Hz 2 = 230V60Hz 8 = 240V50Hz</p>		<p>Tubing Connection Type</p> <p>T = Compression tube nuts Q = Push-on quick connect</p>
<p>Output Control</p> <p>V = Digital speed control with external input F = Analog speed control E = Digital batch timer with external input A = Analog timer, 60 sec. Cycle - 100% duty C = Analog timer, 5 sec. Cycle - 100% duty S = Analog timer, 60 sec. Cycle - 10% duty X = No output control - fixed feed rate</p>		<p>Pump Tube Size and Material</p> <p>1 = 1/4" OD Tygothane 2 = 3/8" OD Tygothane 3 = 7/16" OD Tygothane 4 = 1/4" OD Norprene 5 = 5/16" OD Viton 6 = 3/8" OD Norprene 7 = 7/16" OD Norprene 8 = 7/16" OD Norprene Chemical</p>

Maximum Flow rate and pressure capacities:

Tube no.	Tubing Material	14 RPM MODELS					30 RPM MODELS					45 RPM MODELS					60 RPM MODELS				
		ml/m	oz/m	lph	gph	PSI(bar)	ml/m	oz/m	lph	gph	PSI(bar)	ml/m	oz/m	lph	gph	PSI(bar)	ml/m	oz/m	lph	gph	PSI(bar)
1	Tygothane	15	0.51	0.90	0.24	65(4.5)	35	1.18	2.10	0.55	65(4.5)	54	1.83	3.24	0.86	65(4.5)	67	2.26	4.02	1.06	65(4.5)
2	Tygothane	32	1.08	1.92	0.51	65(4.5)	75	2.54	4.50	1.19	65(4.5)	115	3.89	6.90	1.82	65(4.5)	140	4.73	8.40	2.22	65(4.5)
3	Tygothane	73	2.47	4.37	1.16	50(3.5)	173	5.85	10.38	2.74	50(3.5)	261	8.82	15.66	4.14	50(3.5)	326	11.01	19.56	5.17	50(3.5)
4	Norprene	6	0.20	0.36	0.10	100(6.9)	13	0.44	0.78	0.21	100(6.9)	21	0.20	1.26	0.10	100(6.9)	25	0.85	1.50	0.40	75(5.2)
5	Viton	11	0.37	0.66	0.17	25(1.7)	26	0.88	1.56	0.41	25(1.7)	39	1.31	2.34	0.62	25(1.7)	48	1.62	2.88	0.76	25(1.7)
6	Norprene	18	0.61	1.08	0.29	100(6.9)	42	1.42	2.52	0.67	100(6.9)	63	2.13	3.78	1.00	100(6.9)	79	2.67	4.74	1.25	75(5.2)
7	Norprene	57	1.92	3.42	0.90	50(3.5)	138	4.66	8.28	2.19	50(3.5)	200	6.76	12.00	3.17	50(3.5)	250	8.45	15.00	3.96	50(3.5)
8	Nor Chem	40	1.35	2.40	0.63	50(3.5)	84	2.80	5.04	1.31	50(3.5)	140	4.73	8.40	2.22	50(3.5)	180	6.10	10.80	2.85	50(3.5)

Gallons shown are U.S. Gallons

Replacement Pump Tubes:

Pump Model Number Suffix	Pump Tube Part Number	Pump Tube Material	Nominal Pump Tube OD
-1T	A-002N-1T	Tygothane	1/4" (6,4mm)
-2T	A-002N-2T	Tygothane	3/8" (9,5mm)
-3T	A-002N-3T	Tygothane	7/16" (11,1mm)
-4T	A-002N-4T	Norprene	1/4" (6,4mm)
-5T	A-002N-5T	Viton	5/16" (7,9mm)
-6T	A-002N-6T	Norprene	3/8" (9,5mm)
-7T	A-002N-7T	Norprene	7/16" (11,1mm)
-8T	A-002N-8T	Norprene Chemical	7/16" (11,1mm)
-1Q	A-002N-1Q	Tygothane	1/4" (6,4mm)
-2Q	A-002N-2Q	Tygothane	3/8" (9,5mm)
-4Q	A-002N-4Q	Norprene	1/4" (6,4mm)
-6Q	A-002N-6Q	Norprene	3/8" (9,5mm)