

# Type 2200

## Electric-Pneumatic Control Valves

### Features

- On / Off or Continuous operation
- Energy saving design
- ±0.5% Repeatability full span
- 0.2% Sensitivity full span

### Applications

- Clutches/brakes
- Paper handling
- Cylinder operations
- Robotic control
- Automation systems



The T2200 series direct operated poppet valves are compact in size, provide large flow capacity and low power consumption. The T2200 valve is a single valve, multi ported for 2 way and 3 way operation. Options include standard and continuous operation, standalone use or manifold and flying leads or DIN terminal. The manifold mounted valve can be easily operate through ethernet or PLC control in robotics and automation installations.

### Technical Specifications

Model	T2200
Port Size	1/8" / 1/4"
Flow Rate Cv (scfm)	0.10-0.19 (5.5-10.7)
Operating rng. PSI	0 to 145
Temp Range F	14-122° (-10-50° C)
Response Time	20ms or less
Enclosure	Dustproof
Coil Rating	AC (50/60Hz) 110, 220 VDC 12, 24
Power - Inrush	12.7VA/50Hz - 10.7VA/60Hz
Power - Holding	7.6VA/50Hz - 5.4VA/60Hz
Power Consumption	4 Watts
Cycle Test	1.0 million w/o fail
Electrical	600mm Leads or DIN terminal w/ connector
Material	Aluminum

### Flow Chart

	1→2 (P→A)		2→3 (A→R)		3→2 (R→A)		2→1 (A→P)	
<b>T2201 Standard</b>	Cv 0.18	10.0 scfm	Cv 0.17	9.5 scfm	Cv 0.17	9.5 scfm	Cv 0.17	9.5 scfm
<b>T2201 Vacuum</b>	Cv 0.18	10.0 scfm	Cv 0.17	9.5 scfm	Cv 0.17	9.5 scfm	Cv 0.17	9.5 scfm
<b>T2202 Standard</b>	Cv 0.19	10.7 scfm	Cv 0.17	9.5 scfm	Cv 0.17	9.5 scfm	Cv 0.18	10.0 scfm
<b>T2202 vacuum</b>	Cv 0.19	10.7 scfm	Cv 0.17	9.5 scfm	Cv 0.17	9.5 scfm	Cv 0.18	10.0 scfm

**Ordering Matrix**

		22	XX	XX	XXXXXX	XX
<b>Port Size</b>						
Manifold Ported	00					
1/8" NPT Body Ported	01					
1/4" NPT Body Ported	02					
<b>Porting</b>						
NPT	05					
Manifold	10					
<b>Voltage</b>						
110VAC	110VAC					
220VAC	220VAC					
24VDC	24VDC					
12VDC	12VDC					
<b>Options</b>						
Standard	S0					
Standard w/DIN Terminal	SD					
Vacuum	V0					
Vacuum w/DIN Terminal	VD					

Accessories	Part Number
Bracket	607-000-132

NPT Manifolds & Acces.	PORT	1(P)	2(A)	3(R)	
5 Station, Common Exhaust, 1/8" output		1/8	1/8	1/8	679-061-000
5 Station, Individual Exhaust, 1/8" output		1/4	1/8	1/8	679-061-001
5 Station, Individual Exhaust, 1/4" output		1/4	1/4	1/8	679-061-002
10 Station, Common Exhaust, 1/8" output		1/8	1/8	1/8	679-062-000
10 Station, Individual Exhaust, 1/8" output		1/4	1/8	1/8	679-062-001
10 Station, Individual Exhaust, 1/4" output		1/4	1/4	1/8	679-062-002
Blanking plate (w/screws and gasket)					638-172-000
Function Plate (w/gasket)					638-173-000
Mounting Screw (2 req.)					648-663-000

**Application Examples**

**Blow-off valve**

**Pressure release valve**

**Selector valve**

**Valve for vacuum**

Vacuum pump (P)1      Vacuum pad

Vacuum releasing air  
Atmospheric pressure or micro pressure

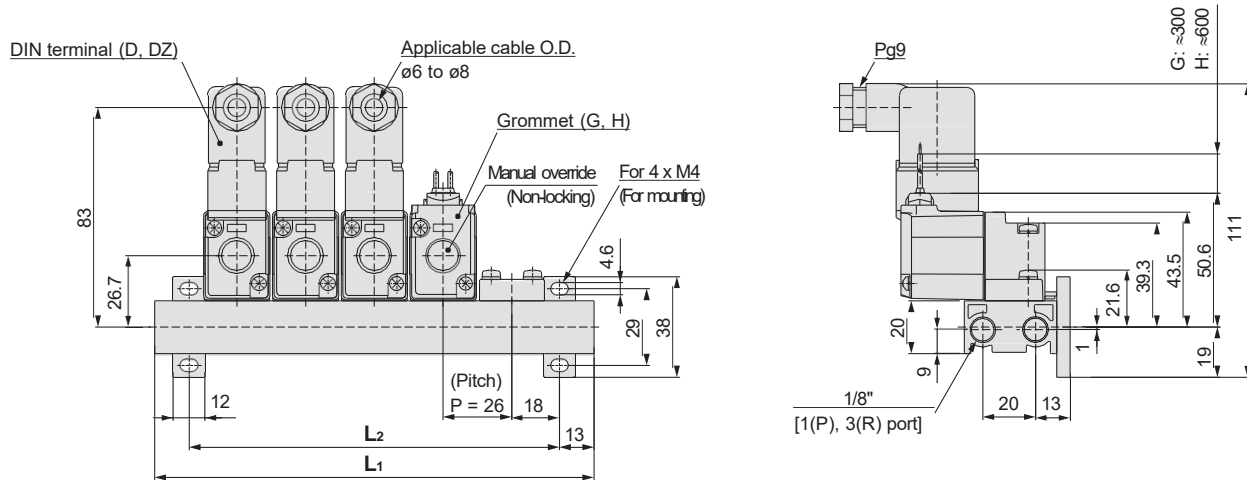
**Divider valve**

**Single-acting cylinder drive**

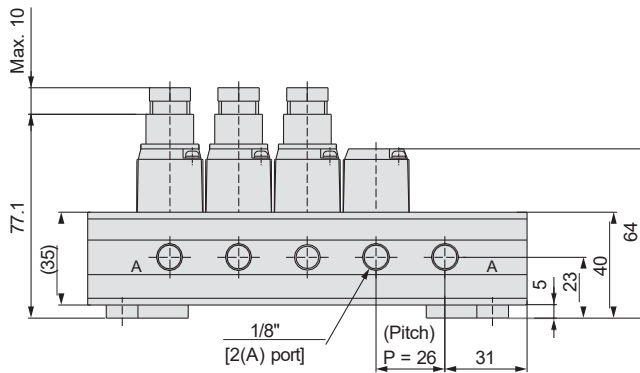
**Double-acting cylinder drive**

**Double-acting cylinder drive (Exhaust center)**

**Common Exhaust Drawings**



(Station n) ..... (Station 1)



Dimension per Station - Common Exhaust		
	L1	L2
5 Station	166 mm	140 mm
10 Station	296 mm	270 mm

**⚠ Caution**

This product is delivered as N.C. valve.  
 If N.O. valve is required, remove mounting screws of the required valve and turn over the function plate. (Make sure that there are gaskets on both sides of the plate.) Then, tighten the mounting screws to fix the valve to the manifold base.

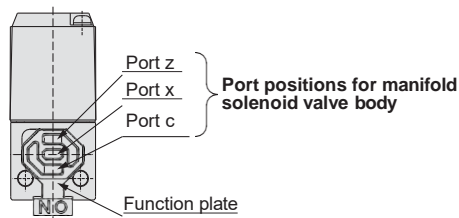
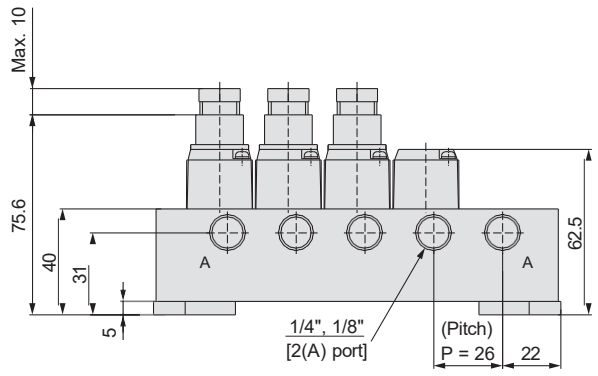
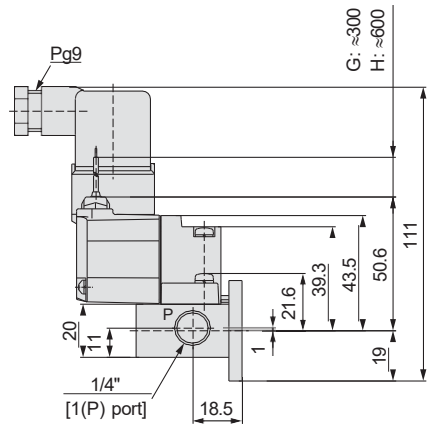
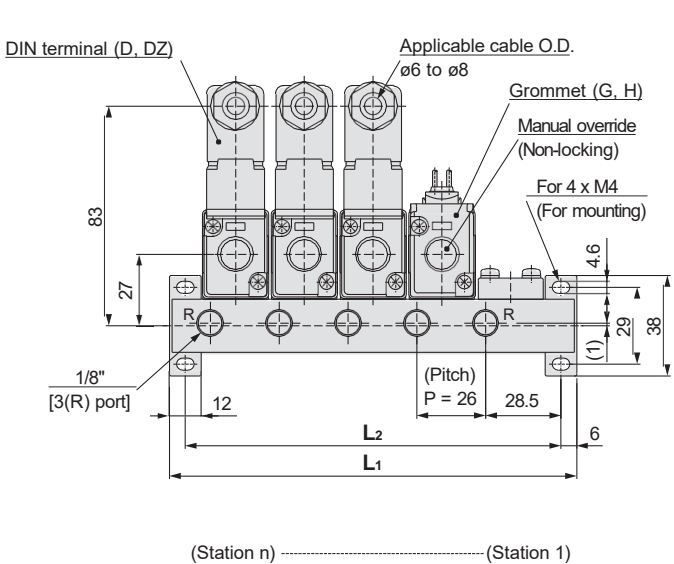


Figure: For N.C.

Specifications	Function plate
N.C.	No mark
N.O.	NO

**Individual Exhaust Drawings**



Dimension per Station - Individual Exhaust		
	L1	L2
5 Station	154 mm	142 mm
10 Station	284 mm	272 mm

**⚠ Caution**

This product is delivered as N.C. valve.  
 If N.O. valve is required, remove mounting screws of the required valve and turn over the function plate. (Make sure that there are gaskets on both sides of the plate.) Then, tighten the mounting screws to fix the valve to the manifold base.

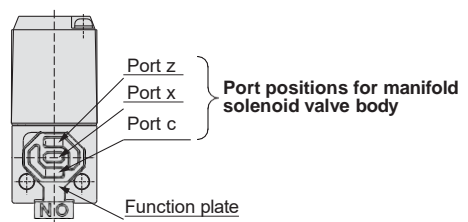


Figure: For N.C.

Specifications	Function plate
N.C.	No mark
N.O.	NO