

KEROTEST/MARSH "N" SERIES NEEDLE VALVES



REGULATE FLOW

PROCESSING PLANTS

OIL & GAS

HYDRAULIC/PNEUMATIC

Hard & Soft Seat
Barstock Construction
1/8" to 1" Connections



*Providing valves and equipment to the
world's energy markets for over 100 years.*

Performance Under Pressure

When you need to count on a regulated flow of air or liquid, these needle valves will consistently perform under pressure and up to your high standards. We build these valves to work hard and last long – that's the *Kerotest of time*.

All valve models, hard and soft seat, are made from quality bar stock and shaped by experienced machinists. We've field tested our valves for over 50 years and they have always proven to deliver under virtually any condition or installation. You have a choice of six valve series for applications up to 10,000 PSI. Connection sizes range from 1/8" to 1" NPT in globe or angle patterns and we offer an optional panel mount adaptor kit for our three hard seat models.

If a valve is going to work as hard as you do, then the people who build it had better be good. Our engineers, designers and production associates are all part of a company committed to delivering consistently great performances. That means they work to exceed the specs and add to the design, so that what you get is better than anything you expect.

For over 100 years, we have designed, manufactured and delivered. Every day, we're going to work as hard as you do.

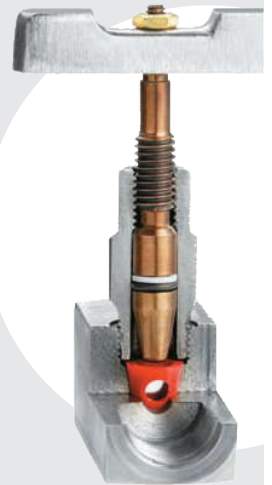
Kerotest/Marsh Needle Valves
Performance Under Pressure.

VALVES THAT WORK



HARD SEAT
ALLOY STEEL

Designed for air, water, oil and other fluids with low level corrosiveness, this is a sturdy and economic choice for regulating pressure up to 10,000 PSI. The stem is 416 hardened stainless steel with body and bonnet made from AISI 1213 or 1215 alloy steel.



SOFT SEAT
316 STAINLESS STEEL AND ALLOY STEEL
STANDARD PORT

This valve series will provide a high level of performance where a bubble-tight seal and shut-off of liquids and gases are required. Durable and field proven, these valves come with a replaceable Delrin* sleeve insert for added life.



MINIATURE
316 STAINLESS STEEL AND ALLOY STEEL

With a body length less than 2" and a maximum height of 2 1/2" (fully open), these valves are ideal for limited space applications. Precision machined stem delivers perfect centricity and roll-formed stem threads provide longer life.



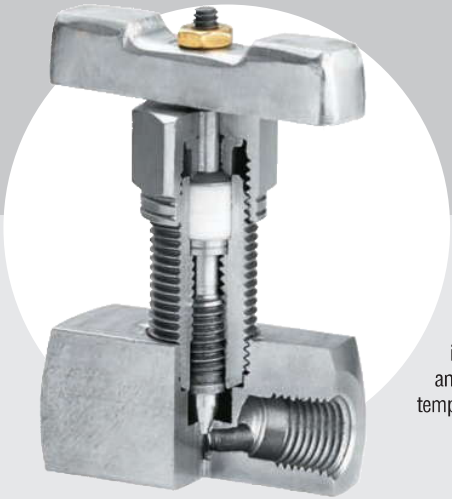
SOFT SEAT
316 STAINLESS STEEL AND ALLOY STEEL
FULL PORT

Designed with a bubble-tight shutoff, a large bore size (0.257") that enables cleanout with rod and a straight-through design that reduces pressure drop, decreases turbulence and improves flow. With a pressure rating to 6000 PSI, this series is ideal for gas transmission, metering and flow recorders.



SINCE 1909

AS HARD AS YOU DO.



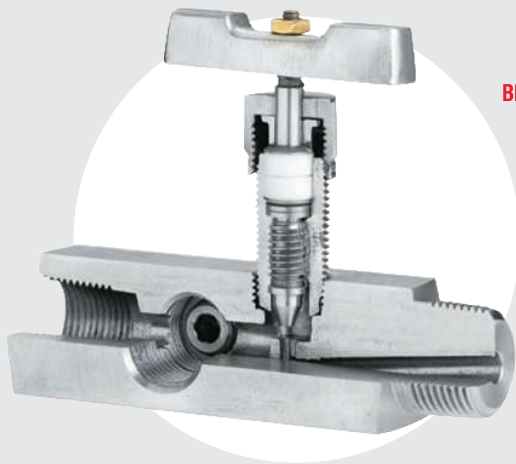
HARD SEAT
316 STAINLESS STEEL

Designed with a minimum burst pressure of 20,000 PSI and temperature limits from -100° to 800° F, this valve series is made with Teflon* packing and optional Grafriflex* for high temperature service.



HARD SEAT
316 STAINLESS STEEL
NACE

This valve series will meet or exceed safety standards in petroleum and gas production, pipeline service, offshore drilling and any sour fluid environment that can cause sulfide stress cracking. Meets NACE standard MR-01-75 for resistance to sulfide stress cracking.



BLOCK/BLEED TERMINAL
316 STAINLESS STEEL
AND ALLOY STEEL

Designed to reduce cost and increase reliability. These valves provide extra pressure outlets, permit line samplings, isolate gauges, provide a bypass and eliminate extra connections and parts on a gauge leg.

A Model for Every Need

Hard seat, soft seat, miniature or block/bleed terminal, you can count on a proven, field-tested Kerotest/Marsh needle valve to go to work and provide years of reliable service.

Meeting the needs of your environment.

These valves are designed to function at maximum performance in virtually any environment. Rest assured that the following conditions will be met by one of our valve models:

- Low level corrosiveness
- Caustic liquids and corrosive media service (with optional trim)
- Sour fluid environments (with optional trim)
- Any environment that demands bubble-tight seals
- Applications that demand performance in tight spaces

A good body of work.

You get only the finest engineered products. And every body, bonnet and stem we make is designed and tested to meet or exceed every requirement. Some choices to consider:

Body Materials

- AISI1213 or 1215 alloy steel
- 316 stainless steel

Stem Materials

- 416 hardened stainless steel
- 303 stainless steel
- 17-4 PH stainless steel
- Heat-treated or annealed 316 stainless steel that meets NACE standard MR-01-75 is optional

A durable finish.

We will provide the ideal finish to the valves of your choice. Finishes include:

- Clear zinc plating for alloy steel
- Passivated stainless steel
- NACE valves are manufactured of 316 stainless steel

Built to Perform

Kerotest/Marsh Needle Valve "N" Series incorporates proven design and lasting engineering advancements to truly deliver "performance under pressure." While features vary based on application and environment, here's a sampling of features you'll find:

- Bubble-tight shutoffs of liquids or gases from 6,000 PSI to 10,000 PSI.
- 316 stainless steel or AISI 1213 or 1215 alloy steel bodies and bonnets.
- Metal-to-metal seating.
- Hardened 416 stainless steel or 17-4PH SST stem with backseat.
- Large-bore straight-through flow that enable rod cleaning.
- Stainless steel and clear zinc plating finishes.
- Two-prong handles or easy grip T-handles.
- Zero clearance washers and nongalling packing.
- Outside threaded bonnets that can work with in-line or panel mounted applications.
- Bonnets screwed into the body and staked for added security.
- Bonnet Cap Protection. Increases valve life and maintains integrity of stem threads.
- Roll-formed stem threads.
- Heat-treated stems that prevent sulfide stress cracking.
- Stem seal packing with Viton* O-ring and Teflon* back-up rings.
- Threaded Bonnets secured with Loctite*.
- Precision machined stem for perfect concentricity.
- Integral back-seated stems to prevent accidental removal.
- Carbon steel or 316 SST port plugs.
- Bonnet-pin locks to prevent accidental removal.
- Replaceable Delrin* sleeve inserts.
- Stainless steel roll pins that prevent misalignment of the sleeve.
- Polyethylene bonnet caps.

*Registered trademark of DuPont



SINCE 1909

An Employee-Owned Total Quality Management Company