



Check Valves

Check Valve Product Numbers	2	Wafer Double Flange Body Double Disc Check Valve (Continued)	
Valve Configurations	3	Style DF 150# Carbon Steel Body 8" – 48"	38
Wafer Body Double Disc Check Valve		Style DF 300# Carbon Steel Body 8" – 48"	39
Style DD 125# Cast Iron Body 2" – 48"	4	Style DF 600# Carbon Steel Body 12" – 42"	40
Technical Data	5	Style DF 900# Carbon Steel Body 12" – 24"	41
Style DD 150# Bronze Body 2" – 48"	6	Style DF 150# Stainless Steel Body 8" – 48"	42
Style DD 300# Bronze Body 2" – 48"	7	Style DF 300# Stainless Steel Body 8" – 48"	43
Style DD 150# Nickel Aluminum Bronze Body 2" – 48"	8	Style DF 600# Stainless Steel Body 12" – 42"	44
Style DD 300# Nickel Aluminum Bronze Body 2" – 48"	9	Style DF 900# Stainless Steel Body 12" – 24"	45
Style DD 150# Carbon Steel Body 2" – 48"	10	Wafer Center Guided Silent Check Valve	
Style DD 300# Carbon Steel Body 2" – 48"	11	Style CW 125# / 250# Cast Iron Body 2" – 12"	46
Style DD 600# Carbon Steel Body 2" – 42"	12	Technical Data	47
Style DD 900# Carbon Steel Body 2" – 24"	13	Style CW 150# / 300# Carbon Steel Body 2" – 12"	48
Style DD 1500# Carbon Steel Body 2" – 24"	14	Style CW 150# / 300# 316 Stainless Steel Body 2" – 12"	49
Style DD 150# Stainless Steel Body 2" – 48"	15	Globe Center Guided Silent Check Valve	
Style DD 300# Stainless Steel Body 2" – 48"	16	Style CG 125# and 250# Cast Iron Body 2" – 24"	50
Style DD 600# Stainless Steel Body 2" – 42"	17	Technical Data	51
Style DD 900# Stainless Steel Body 2" – 24"	18	Style CG 150# and 300# Carbon Steel Body 2" – 24"	52
Style DD 1500# Stainless Steel Body 2" – 24"	19	Style CG 150# and 300# Stainless Steel Body 2" – 24"	53
Wafer Lug Body Double Disc Check Valve		Short Pattern & Long Pattern Wafer Check Valve	
Style DL 150# Bronze Body 2" – 48"	20	Style SP and LP 150# Bronze Body 1-1/2" – 60"	54
Style DL 300# Bronze Body 2" – 48"	21	Style SP and LP 300# Bronze Body 2" – 42"	55
Style DL 150# Nickel Aluminum Bronze Body 2" – 48"	22	Style SP and LP 600# Bronze Body 2" – 36"	56
Style DL 300# Nickel Aluminum Bronze Body 2" – 48"	23	Style SP and LP 900# Bronze Body 2" – 36"	57
Style DL 150# Carbon Steel Body 2" – 48"	24	Style SP and LP 1500# Bronze Body 1-1/2" – 12"	58
Style DL 300# Carbon Steel Body 2" – 48"	25	Style SP and LP 150# Carbon Steel Body 1-1/2" – 60"	59
Style DL 600# Carbon Steel Body 2" – 42"	26	Style SP and LP 300# Carbon Steel Body 2" – 42"	60
Style DL 900# Carbon Steel Body 2" – 24"	27	Style SP and LP 600# Carbon Steel Body 2" – 36"	61
Style DL 1500# Carbon Steel Body 2" – 24"	28	Style SP and LP 900# Carbon Steel Body 2" – 36"	62
Style DL 150# Stainless Steel Body 2" – 48"	29	Style SP and LP 1500# Carbon Steel Body 1-1/2" – 12"	63
Style DL 300# Stainless Steel Body 2" – 48"	30	Style SP and LP 150# Stainless Steel Body 1-1/2" – 60"	64
Style DL 600# Stainless Steel Body 2" – 42"	31	Style SP and LP 300# Stainless Steel Body 2" – 42"	65
Style DL 900# Stainless Steel Body 2" – 24"	32	Style SP and LP 600# Stainless Steel Body 2" – 36"	66
Style DL 1500# Stainless Steel Body 2" – 24"	33	Style SP and LP 900# Stainless Steel Body 2" – 36"	67
Wafer Double Flange Body Double Disc Check Valve		Style SP and LP 1500# Stainless Steel Body 1-1/2" – 12"	68
Style DF 150# Bronze Body 8" – 48"	34	Stud & Bolt Dimensions for Wafer Check Valves	69
Style DF 300# Bronze Body 8" – 48"	35	Pressure Drop Charts	
Style DF 150# Nickel Aluminum Bronze Body 8" – 48"	36	Style DD, DL, and DF	70
Style DF 300# Nickel Aluminum Bronze Body 8" – 48"	37	Style CW	71
		Style CG	72
		Style SP and LP	73



HOW TO ORDER

CHECK VALVE PRODUCT NUMBERS

Below Is An Example Of Building A Part Number For Ordering A Check Valve

Size	Valve Style	Body Class	End Connection	Body Material	Disc Material	Seat Material	Spring Material
6"	DD	1	F	CI	34	1	36

Description: 6" Style DD (Wafer Double Disc Check Valve), 125 Lb. Class, FF Flange, Cast Iron Body, 304 SS Disc, Buna-N Seats, 316 SS Spring.

Product #: 6"DD1F - CI - 34136

VALVE STYLE

Ordering Number	Valve Style	Ordering Number	Valve Style
DD	Wafer Double Disc Check Valve	CG	Globe Center Guided Silent Check Valve
DL	Wafer Lug Body Double Disc Check Valve	HS	Horizontal Swing Check Valve
DF	Wafer Double Flange Body Double Disc Check Valve	SP	Short Pattern Wafer Check Valve
CW	Wafer Center Guided Silent Check Valve	LP	Long Pattern Wafer Check Valve

*Lug and Double Flange body check valves can be furnished with thru-hole bolting or threaded bolt holes.

BODY CLASS

Ordering Number	ASME Body Class	Ordering Number	ASME Body Class	Ordering Number	ASME Body Class
1	125 Lb. Class ASME	3	250 Lb. Class ASME	5	600 Lb. Class ASME
2	150 Lb. Class ASME	4	300 Lb. Class ASME	6	900 Lb. Class ASME
				7	1500 Lb. Class ASME

END CONNECTION

Ordering Number	End Connection	Ordering Number	End Connection
F	Flat Face	T	FNPT Threaded Ends
R	Raised Face - Spiral Serrated	J	Ring Type Joint

BODY MATERIAL

Ordering Number	Body Material
CI	Cast Iron (ASTM A 126, Class B)
B2	Cast Bronze (ASTM B 62, C83600)
B6*	Bronze
NA	Nickel Aluminum Bronze (ASTM B 148, C95800)
CS	Cast Carbon Steel (ASTM A 216, Grade WCB)
LC	Low Cast Carbon Steel (ASTM A 352, Grade LCB)
36	Cast 316 Stainless Steel (ASTM A 351, Grade CF8M)
A2	Alloy 20 (ASTM A 351, CN7M)
HC	Hastelloy C276 (ASTM A 494, CW12MW)
ML	Monel (ASTM 494, M35-2)
DP	Duplex (ASTM A 351, CD4MCu)
TI*	Titanium

*Only available for Valve Style SP or LP Wafer Check Valves.

DISC MATERIAL

Ordering Number	Disc Material
34	Cast 304 Stainless Steel (ASTM A 351, Grade CF8)
36	Cast 316 Stainless Steel (ASTM A 351, Grade CF8M)
B2	Cast Bronze (ASTM B 62, C83600)
B6*	Bronze
NA	Nickel Aluminum Bronze (ASTM B 148, C95800)
CS	Cast Carbon Steel (ASTM A 216, Grade WCB)
LC	Low Cast Carbon Steel (ASTM A 352, Grade LCB)
A2	Alloy 20 (ASTM A 351, CN7M)
HC	Hastelloy C276 (ASTM A 494, CW12MW)
ML	Monel (ASTM 494, M35-2)
DP	Duplex (ASTM A 351, CD4MCu)
TI*	Titanium

*Only available for Valve Style SP or LP Wafer Check Valves.

SEAT MATERIAL

Ordering Number	Seat Material	Operating Temperature		Ordering Number	Seat Material	Operating Temperature	
		°F	°C			°F	°C
1	Buna - N	-20 to 250	-29 to 121	6	316L Stainless Steel Overlay	(Same as Body)	
2	Metal (Same as Body)	(Same as Body)		7	410 Stainless Steel Overlay	(Same as Body)	
3	Metal (Same as Disc)	(Same as Disc)		8	PTFE Teflon	-40 to 300	-40 to 149
4	Viton	-20 to 400	-29 to 204	9	Neoprene	-40 to 250	-40 to 121
5	EPDM	-40 to 300	-40 to 149				

SPRING MATERIAL

Ordering Number	Spring Material	Maximum Operating Temperature		Ordering Number	Spring Material	Maximum Operating Temperature	
		°F	°C			°F	°C
34	Type 304 Stainless Steel	500	260	IN	Inconel	700	371
36	Type 316 Stainless Steel	500	260	IX	Inconel - X 750	1100	593
ML	Monel	450	232				

*Other Materials are Available Upon Request.



Style DD

Wafer Double Disc Check Valve

Sizes 2" – 48"

- ASME Body Classes 125 – 1500
- Cast Iron, Bronze, Nickel Aluminum Bronze, Carbon Steel, and 316 Stainless Steel



Style DL

Wafer Lug Body Double Disc Check Valve

Sizes 2" – 16"

- ASME Body Classes 150 – 1500
- Bronze, Nickel Aluminum Bronze, Carbon Steel, and 316 Stainless Steel



Style DF

Wafer Flanged Body Double Disc Check Valve

Sizes 8" – 48"

- ASME Body Classes 150 – 900
- Bronze, Nickel Aluminum Bronze, Carbon Steel, and 316 Stainless Steel



Style CW

Wafer Silent Check Valve

Sizes 2" – 12"

- ASME Body Classes 125 – 300
- Cast Iron, Carbon Steel, and 316 Stainless Steel



Style CG

Globe Silent Check Valve

Sizes 2" – 24"

- ASME Body Classes 125 – 300
- Cast Iron, Carbon Steel, and 316 Stainless Steel





Style DD

Cast Iron (ASTM A 126, Class B)
125 lb.

Carbon Steel (ASTM A 216, Grade WCB)
150 lb. Thru 1500 lb.

Stainless Steel (ASTM A 351, Grade CF8M)
150 lb. Thru 1500 lb.



Style DL



Style DF



Wafer Double Disc Check Valve

APPLICATIONS

Liquid or gas where protection from flow reversal in a pipeline is required.

CONSTRUCTION

The Keckley Wafer Double Disc Check Valves are constructed from rugged castings that are machined to exacting specifications. Reference individual technical data pages for standard disc, shaft, spring, and elastomer seat.

FEATURES

- A short face-to-face dimension.
- Lighter weight, by 80-90% than non-conventional full-body check valves.
- Spring-loaded, double disc design has a low cracking pressure.
- The tension spring performs a lifting motion on the disc to prevent excessive wear on the “heel” area of the elastomer seat.
- The independent, dual shaft design allows interchangeability of shafts. The stop shaft stabilizes the discs during high flow rates.
- Epoxy coating is standard.
- Field serviceable without the need for special tools.

INSTALLATION

The Keckley Wafer Double Disc Check Valves are used in both vertical and horizontal applications. For horizontal flow applications the shaft should be vertically oriented. Contact Keckley for downward vertical flow installations.

ORDERING

Reference page C2 for Keckley Check Valve Product Numbers.

WORKING PRESSURES – NON SHOCK

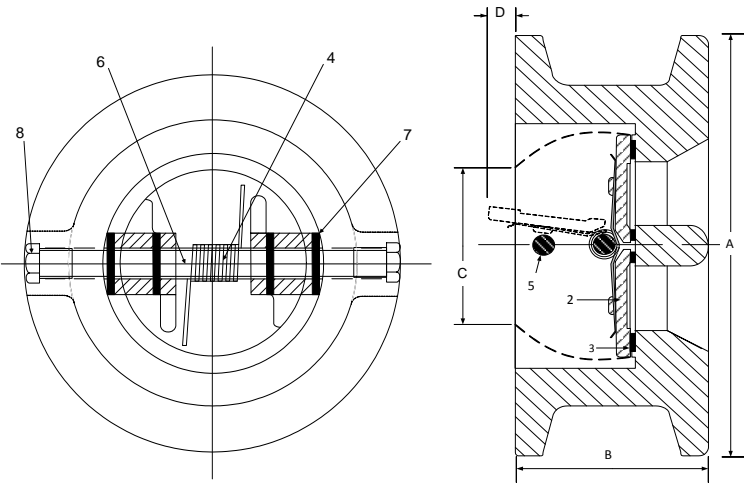
NOM. RATING	BODY MATERIAL	MEDIA	2" to 12"	14" to 24"
125#	CAST IRON (ASTM A 126, CLASS B)	W.O.G.	200 PSI @ 150°F	150 PSI @ 150°F
NOM. RATING	BODY MATERIAL	MEDIA	2" to 24"	
150#	CARBON STEEL (ASTM A 216, GRADE WCB)	W.O.G.	285 PSI @ 100°F	
	STAINLESS STEEL (ASTM A 351, GRADE CF8M)	W.O.G.	275 PSI @ 100°F	
NOM. RATING	BODY MATERIAL	MEDIA	2" to 24"	
300#	CARBON STEEL (ASTM A 216, GRADE WCB)	W.O.G.	740 PSI @ 100°F	
	STAINLESS STEEL (ASTM A 351, GRADE CF8M)	W.O.G.	720 PSI @ 100°F	



TECHNICAL DATA
DIMENSIONS AND WEIGHTS

Style DD

Wafer Double Disc Check Valve, 125 lb.
Cast Iron (ASTM A 126, Class B)



PARTS LIST		
ITEM	DESCRIPTION	MATERIAL
1	BODY	Cast Iron (ASTM A 126, Class B)
2	DISC	Cast Stainless Steel (ASTM A 351, Grade CF8)
3	SEAT	Buna-N
4	SPRING	Stainless Steel (ASTM A 182, 316)
5	STOP PIN	Stainless Steel (ASTM A 182, 304)
6	HINGE PIN	Stainless Steel (ASTM A 182, 304)
7	THRUST WASHER	Teflon
8	PLUG	Carbon Steel (ASTM A 307, B)

Above "Standard" Product Number - DD1F-CI-34136
Other Options - Reference C2 for available materials.

SIZE		DIMENSIONS								WEIGHTS	
		A		B		C*		D			
in	mm	in	mm	in	mm	in	mm	in	mm	lbs	kgs
2	50	4-1/8	105	2-1/8	54	2-1/16	52	-	-	4	2
2-1/2	65	4-7/8	124	2-1/8	54	2-15/32	63	-	-	6	3
3	80	5-3/8	137	2-1/4	57	3-1/16	78	5/8	16	7	3
4	100	6-7/8	175	2-1/2	64	4	102	1	25	12	6
5	125	7-3/4	197	2-3/4	70	5	127	1-5/16	33	15	7
6	150	8-3/4	222	3	76	6-1/16	154	1-15/16	35	20	9
8	200	11	279	3-3/4	95	8	203	3-7/16	54	40	18
10	250	13-3/8	340	4-1/4	108	10	254	3-3/8	70	65	29
12	300	16-1/8	410	5-5/8	143	11-15/16	303	3-9/16	83	110	50
14	350	17-3/4	451	7-1/4	184	12-1/2	318	3-1/16	83	183	83
16	400	20-1/4	514	7-1/2	191	15	381	4-1/4	113	255	116
18	450	21-5/8	549	8	203	16-7/8	429	5-3/8	137	315	143
20	500	23-7/8	606	8-3/8	213	18-3/16	478	6-3/16	160	380	172
24	600	28-1/4	718	8-3/4	222	22-5/8	575	8-1/4	210	575	261
30	750	34-3/4	883	12	305	29-1/4	743	9-9/16	229	1070	486
36	900	41-1/4	1048	14-1/2	368	35	889	12-5/16	303	1962	890
42	1050	48	1219	17	432	41	1041	15	381	2800	1270
48	1200	54-1/2	1384	20-5/8	524	47	1194	16-3/4	425	3920	1778

*Minimum companion flange bore.

APPLICABLE STANDARDS

<ul style="list-style-type: none"> Design ASME B16.1 Conform to API 594 & 6D Testing API 598 	<ul style="list-style-type: none"> MSS SP - 6 MSS SP - 25 MSS SP - 55
---	--

Seat Material	Operating Temperature**	
	°F	°C
Buna - N	-20 to 250	-29 to 121
Viton	-20 to 400	-29 to 204
EPDM	-40 to 300	-40 to 149

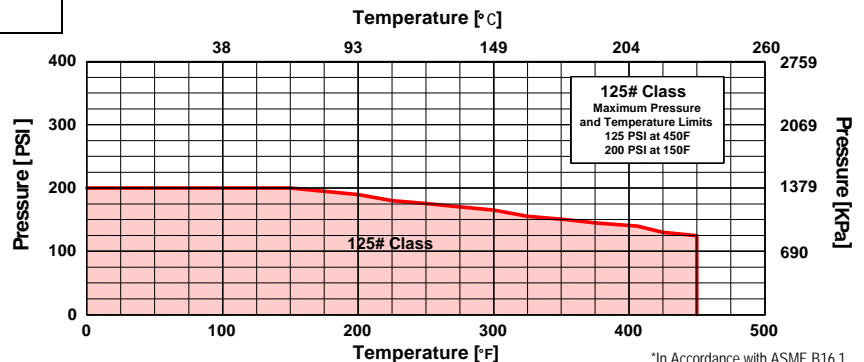
**Subject to limitations of body material.

FLOW COEFFICIENTS

Size	2"	2½"	3"	4"	5"	6"
C _v	48	98	170	290	495	720
Size	8"	10"	12"	14"	16"	18"
C _v	1800	2600	4300	5500	7200	9400
Size	20"	24"	30"	36"	42"	48"
C _v	12600	19000	37500	60000	89000	124000

PRESSURE vs. TEMPERATURE CHART

125# Cast Iron (ASTM A 126, Class B)



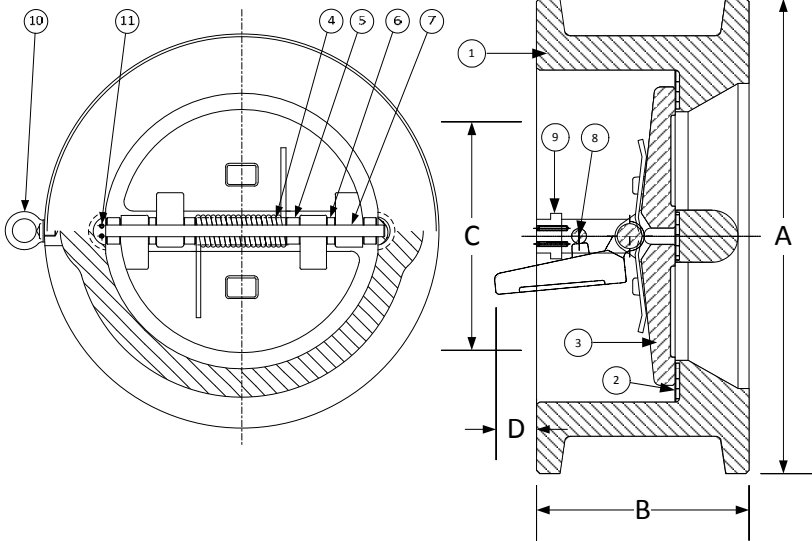
*In Accordance with ASME B16.1



TECHNICAL DATA
DIMENSIONS AND WEIGHTS

Style DD

**Retainerless Wafer Body
Double Disc Check Valve, 150 lb.
Bronze (ASTM B 62, C83600)**



PARTS LIST

ITEM	DESCRIPTION	MATERIAL
1	Body	Cast Bronze (ASTM B 62, C83600)
2	Seat	Buna-N O-Ring
3	Disc	Stainless Steel (ASTM A 351, Grade CF8M)
4	Spring	Inconel X-750
5	Spring Plate	Stainless Steel (ASTM A 182, Grade F-316)
6	Thrust Washer	Stainless Steel (ASTM A 182, Grade F-316)
7	Hinge Pin	Stainless Steel (ASTM A 182, Grade F-316)
8	Stop Pin	Stainless Steel (ASTM A 182, Grade F-316)
9	Locating Piece	Stainless Steel (ASTM A 182, Grade F-316)
10	Lifting Lug	Carbon Steel
11	Screw	Stainless Steel (316)

Above "Standard" Product Number – **DD2F-B2-3611X**
Other Options - Reference **C2** for available materials.

SIZE		DIMENSIONS								WEIGHTS	
		A		B		C*		D			
in	mm	in	mm	in	mm	in	mm	in	mm	lbs	kgs
2	50	4-1/8	105	2-3/8	60	1-15/16	49	-	-	6	3
2-1/2	65	4-7/8	124	2-5/8	67	2-11/32	60	-	-	10	5
3	80	5-3/8	137	2-7/8	73	2-29/32	74	1/4	6	13	6
4	100	6-7/8	175	2-7/8	73	3-53/64	97	5/8	16	17	8
5	125	7-3/4	197	3-3/8	86	4-13/16	122	7/8	22	27	12
6	150	8-3/4	222	3-7/8	98	5-49/64	146	1-3/8	35	35	16
8	200	11	279	5	127	7-5/8	194	2-1/8	54	70	32
10	250	13-3/8	340	5-3/4	146	9-9/16	243	2-3/4	70	106	48
12	300	16-1/8	410	7-1/8	181	11-3/8	289	3-1/4	83	172	78
14	350	17-3/4	451	7-1/4	184	12-1/2	318	3-1/4	83	200	91
16	400	20-1/4	514	7-1/2	191	15	381	4-7/16	113	275	125
18	450	21-5/8	549	8	203	16-7/8	429	5-3/8	137	315	143
20	500	23-7/8	606	8-5/8	219	18-13/16	478	6-5/16	160	435	197
24	600	28-1/4	718	8-3/4	222	22-5/8	575	8-1/4	210	620	281
30	750	34-3/4	883	13	330	29-1/4	743	9	229	1230	558
36	900	41-1/4	1048	15-1/4	387	35	889	11-15/16	303	2017	915
42	1050	48	1219	17	432	41	1041	15	381	2800	1270
48	1200	54-1/2	1384	20-5/8	524	47	1194	16-3/4	425	3920	1778

*Minimum companion flange bore.

Sizes 30" and larger fit Series A flanges.

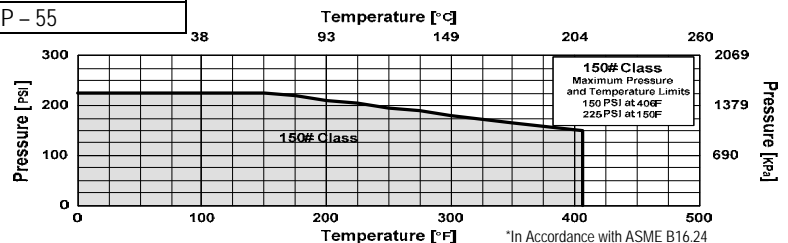
Seat Material	Operating Temperature**	
	°F	°C
Buna-N	-20 to 250	-29 to 121
Viton	-20 to 400	-29 to 204
EPDM	-40 to 300	-40 to 149

**Subject to limitations of body material.

Applicable Standards
• Design ASME B16.24
• Testing API 598
• Conforms to API 594 & 6D
• MSS SP - 6
• MSS SP - 25
• MSS SP - 55

FLOW COEFFICIENTS

Size	2"	2½"	3"	4"	5"	6"
C _v	48	98	170	290	495	720
Size	8"	10"	12"	14"	16"	18"
C _v	1800	2600	4300	5500	7200	9400
Size	20"	24"	30"	36"	42"	48"
C _v	12600	19000	37500	60000	89000	124000



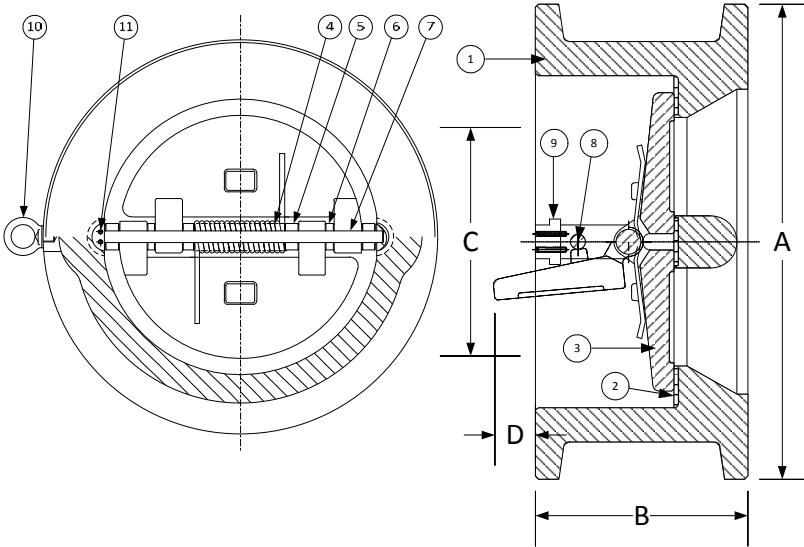
*In Accordance with ASME B16.24



TECHNICAL DATA
DIMENSIONS AND WEIGHTS

Style DD

**Retainerless Wafer Body
Double Disc Check Valve, 300 lb.
Bronze (ASTM B 62, C83600)**



PARTS LIST		
ITEM	DESCRIPTION	MATERIAL
1	Body	Cast Bronze (ASTM B 62, C83600)
2	Seat	Buna-N O-Ring
3	Disc	Stainless Steel (ASTM A 351, Grade CF8M)
4	Spring	Inconel X-750
5	Spring Plate	Stainless Steel (ASTM A 182, Grade F-316)
6	Thrust Washer	Stainless Steel (ASTM A 182, Grade F-316)
7	Hinge Pin	Stainless Steel (ASTM A 182, Grade F-316)
8	Stop Pin	Stainless Steel (ASTM A 182, Grade F-316)
9	Locating Piece	Stainless Steel (ASTM A 182, Grade F-316)
10	Lifting Lug	Carbon Steel
11	Screw	Stainless Steel (316)

Above "Standard" Product Number – DD4F-B2-361IX
Other Options - Reference C2 for available materials.

SIZE		DIMENSIONS								WEIGHTS	
		A		B		C*		D			
in	mm	in	mm	in	mm	in	mm	in	mm	lbs	kgs
2	50	4-3/8	111	2-3/8	60	1-15/16	49	-	-	7	3
2-1/2	65	5-1/8	130	2-5/8	67	2-11/32	60	-	-	11	5
3	80	5-7/8	149	2-7/8	73	2-29/32	74	1/4	6	15	7
4	100	7-1/8	181	2-7/8	73	3-53-64	97	5/8	16	18	8
5	125	8-1/2	216	3-3/8	86	4-13/16	122	7/8	22	35	16
6	150	9-7/8	251	3-7/8	98	5-49/64	146	1-3/8	35	45	20
8	200	12-1/8	308	5	127	7-5/8	194	2-1/8	54	82	37
10	250	14-1/4	362	5-3/4	146	9-9/16	243	2-3/4	70	125	57
12	300	16-5/8	422	7-1/8	181	11-3/8	289	3-1/4	83	200	91
14	350	19-1/8	486	8-3/4	222	12-1/2	318	3-3/16	81	325	147
16	400	21-1/4	540	9-1/8	232	14-5/16	364	4-1/8	105	415	188
18	450	23-1/2	597	10-3/8	264	16-7/8	429	4-13/16	122	555	252
20	500	25-3/4	654	11-1/2	292	17-15/16	456	5-5/8	143	725	329
24	600	30-1/2	775	12-1/2	318	21-9/16	548	7-1/16	179	1100	499
30	750	37-1/2	953	14-1/2	396	28-3/4	730	9-1/16	230	2050	930
36	900	44	1118	19	483	35	889	11-3/16	284	3573	1621
42	1050	45-7/8	1289	22-3/8	568	41	1041	14-3/4	375	4723	2147
48	1200	52-1/8	1492	24-3/4	629	47	1194	16-1/2	419	6090	2768

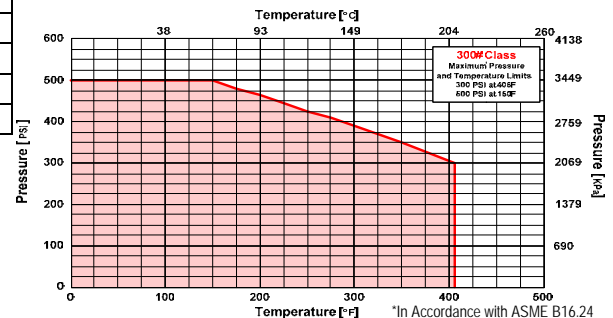
*Minimum companion flange bore.

Sizes 30" and larger fit Series A flanges.

Seat Material	Operating Temperature**	
	°F	°C
Buna-N	-20 to 250	-29 to 121
Viton	-20 to 400	-29 to 204
EPDM	-40 to 300	-40 to 149

**Subject to limitations of body material.

Applicable Standards
• Design ASME B16.24
• Testing API 598
• Conforms to API 594 & 6D
• MSS SP - 6
• MSS SP - 25
• MSS SP - 55



FLOW COEFFICIENTS						
Size	2"	2½"	3"	4"	5"	6"
C _v	48	98	170	290	495	720
Size	8"	10"	12"	14"	16"	18"
C _v	1800	2600	4300	5500	7200	9400
Size	20"	24"	30"	36"	42"	48"
C _v	12600	19000	37500	60000	89000	124000



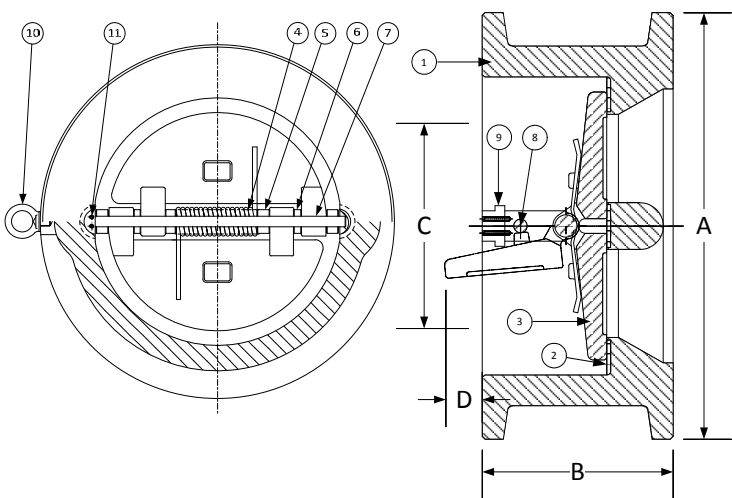
TECHNICAL DATA
DIMENSIONS AND WEIGHTS

Style DD

Retainerless Wafer Body

Double Disc Check Valve, 150 lb.

Nickel Aluminum Bronze (ASTM B 148, C95800)



PARTS LIST

ITEM	DESCRIPTION	MATERIAL
1	Body	Cast Nickel Aluminum Bronze (ASTM B 148, C95800)
2	Seat	Buna-N O-Ring
3	Disc	Cast Nickel Aluminum Bronze (ASTM B 148, C95800)
4	Spring	Inconel X-750
5	Spring Plate	Stainless Steel (ASTM A 182, Grade F-316)
6	Thrust Washer	Stainless Steel (ASTM A 182, Grade F-316)
7	Hinge Pin	Stainless Steel (ASTM A 182, Grade F-316)
8	Stop Pin	Stainless Steel (ASTM A 182, Grade F-316)
9	Locating Piece	Stainless Steel (ASTM A 182, Grade F-316)
10	Lifting Lug	Carbon Steel
11	Screw	Stainless Steel (316)

Above "Standard" Product Number - DD2F-NA-NA1IX

Other Options - Reference C2 for available materials.

SIZE		DIMENSIONS								WEIGHTS	
		A		B		C*		D			
in	mm	in	mm	in	mm	in	mm	in	mm	lbs	kgs
2	50	4-1/8	105	2-3/8	60	1-15/16	49	-	-	6	3
2-1/2	65	4-7/8	124	2-5/8	67	2-11/32	60	-	-	10	5
3	80	5-3/8	137	2-7/8	73	2-29/32	74	1/4	6	13	6
4	100	6-7/8	175	2-7/8	73	3-53/64	97	5/8	16	17	8
5	125	7-3/4	197	3-3/8	86	4-13/16	122	7/8	22	27	12
6	150	8-3/4	222	3-7/8	98	5-49/64	146	1-3/8	35	35	16
8	200	11	279	5	127	7-5/8	194	2-1/8	54	70	32
10	250	13-3/8	340	5-3/4	146	9-9/16	243	2-3/4	70	106	48
12	300	16-1/8	410	7-1/8	181	11-3/8	289	3-1/4	83	172	78
14	350	17-3/4	451	7-1/4	184	12-1/2	318	3-1/4	83	200	91
16	400	20-1/4	514	7-1/2	191	15	381	4-7/16	113	275	125
18	450	21-5/8	549	8	203	16-7/8	429	5-3/8	137	315	143
20	500	23-7/8	606	8-5/8	219	18-13/16	478	6-5/16	160	435	197
24	600	28-1/4	718	8-3/4	222	22-5/8	575	8-1/4	210	620	281
30	750	34-3/4	883	13	330	29-1/4	743	9	229	1230	558
36	900	41-1/4	1048	15-1/4	387	35	889	11-15/16	303	2017	915
42	1050	48	1219	17	432	41	1041	15	381	2800	1270
48	1200	54-1/2	1384	20-5/8	524	47	1194	16-3/4	425	3920	1778

*Minimum companion flange bore.

Sizes 30" and larger fit Series A flanges.

Seat Material	Operating Temperature**	
	°F	°C
Buna-N	-20 to 250	-29 to 121
Viton	-20 to 400	-29 to 204
EPDM	-40 to 300	-40 to 149

**Subject to limitations of body material.

Applicable Standards
• Design ASME B16.24
• Testing API 598
• Conforms to API 594 & 6D
• MSS SP - 6
• MSS SP - 25
• MSS SP - 55

FLOW COEFFICIENTS

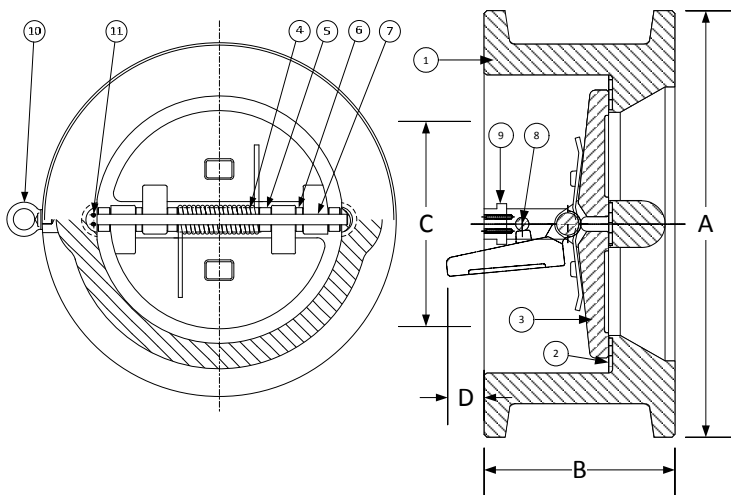
Size	2"	2½"	3"	4"	5"	6"
C _v	48	98	170	290	495	720
Size	8"	10"	12"	14"	16"	18"
C _v	1800	2600	4300	5500	7200	9400
Size	20"	24"	30"	36"	42"	48"
C _v	12600	19000	37500	60000	89000	124000



TECHNICAL DATA
DIMENSIONS AND WEIGHTS

Style DD

**Retainerless Wafer Body
Double Disc Check Valve, 300 lb.
Nickel Aluminum Bronze (ASTM B 148, C95800)**



PARTS LIST		
ITEM	DESCRIPTION	MATERIAL
1	Body	Cast Nickel Aluminum Bronze (ASTM B 148, C95800)
2	Seat	Buna-N O-Ring
3	Disc	Cast Nickel Aluminum Bronze (ASTM B 148, C95800)
4	Spring	Inconel X-750
5	Spring Plate	Stainless Steel (ASTM A 182, Grade F-316)
6	Thrust Washer	Stainless Steel (ASTM A 182, Grade F-316)
7	Hinge Pin	Stainless Steel (ASTM A 182, Grade F-316)
8	Stop Pin	Stainless Steel (ASTM A 182, Grade F-316)
9	Locating Piece	Stainless Steel (ASTM A 182, Grade F-316)
10	Lifting Lug	Carbon Steel
11	Screw	Stainless Steel (316)

Above "Standard" Product Number - DD4F-NA-NA1IX

Other Options - Reference C2 for available materials.

SIZE		DIMENSIONS								WEIGHTS	
		A		B		C*		D			
in	mm	in	mm	in	mm	in	mm	in	mm	lbs	kgs
2	50	4-3/8	111	2-3/8	60	1-15/16	49	-	-	7	3
2-1/2	65	5-1/8	130	2-5/8	67	2-11/32	60	-	-	11	5
3	80	5-7/8	149	2-7/8	73	2-29/32	74	1/4	6	15	7
4	100	7-1/8	181	2-7/8	73	3-53-64	97	5/8	16	18	8
5	125	8-1/2	216	3-3/8	86	4-13/16	122	7/8	22	35	16
6	150	9-7/8	251	3-7/8	98	5-49/64	146	1-3/8	35	45	20
8	200	12-1/8	308	5	127	7-5/8	194	2-1/8	54	82	37
10	250	14-1/4	362	5-3/4	146	9-9/16	243	2-3/4	70	125	57
12	300	16-5/8	422	7-1/8	181	11-3/8	289	3-1/4	83	200	91
14	350	19-1/8	486	8-3/4	222	12-1/2	318	3-3/16	81	325	147
16	400	21-1/4	540	9-1/8	232	14-5/16	364	4-1/8	105	415	188
18	450	23-1/2	597	10-3/8	264	16-7/8	429	4-13/16	122	555	252
20	500	25-3/4	654	11-1/2	292	17-15/16	456	5-5/8	143	725	329
24	600	30-1/2	775	12-1/2	318	21-9/16	548	7-1/16	179	1100	499
30	750	37-1/2	953	14-1/2	396	28-3/4	730	9-1/16	230	2050	930
36	900	44	1118	19	483	35	889	11-3/16	284	3573	1621
42	1050	45-7/8	1289	22-3/8	568	41	1041	14-3/4	375	4723	2147
48	1200	52-1/8	1492	24-3/4	629	47	1194	16-1/2	419	6090	2768

*Minimum companion flange bore.

Sizes 30" and larger fit Series A flanges.

Seat Material	Operating Temperature**	
	°F	°C
Buna-N	-20 to 250	-29 to 121
Viton	-20 to 400	-29 to 204
EPDM	-40 to 300	-40 to 149

**Subject to limitations of body material.

Applicable Standards
• Design ASME B16.24
• Testing API 598
• Conforms to API 594 & 6D
• MSS SP - 6
• MSS SP - 25
• MSS SP - 55

FLOW COEFFICIENTS

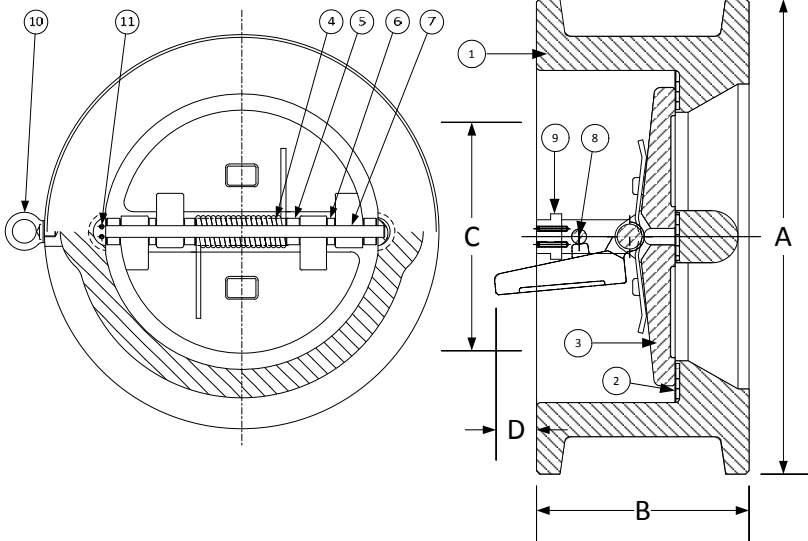
Size	2"	2½"	3"	4"	5"	6"
C _v	48	98	170	290	495	720
Size	8"	10"	12"	14"	16"	18"
C _v	1800	2600	4300	5500	7200	9400
Size	20"	24"	30"	36"	42"	48"
C _v	12600	19000	37500	60000	89000	124000



TECHNICAL DATA
DIMENSIONS AND WEIGHTS

Style DD

**Retainerless Wafer Body
Double Disc Check Valve, 150 lb.
Carbon Steel (ASTM A 216, Grade WCB)**



PARTS LIST

ITEM	DESCRIPTION	MATERIAL
1	Body	Carbon Steel (ASTM A 216, Grade WCB)
2	Seat	Buna-N O-Ring
3	Disc	Stainless Steel (ASTM A 351, Grade CF8M)
4	Spring	Inconel X-750
5	Spring Plate	Stainless Steel (ASTM A 182, Grade F-316)
6	Thrust Washer	Stainless Steel (ASTM A 182, Grade F-316)
7	Hinge Pin	Stainless Steel (ASTM A 182, Grade F-316)
8	Stop Pin	Stainless Steel (ASTM A 182, Grade F-316)
9	Locating Piece	Stainless Steel (ASTM A 182, Grade F-316)
10	Lifting Lug	Carbon Steel
11	Screw	Stainless Steel (316)

Above "Standard" Product Number – DD2R-CS-361IX
Other Options - Reference C2 for available materials.

SIZE		DIMENSIONS								WEIGHTS	
		A		B		C*		D			
in	mm	in	mm	in	mm	in	mm	in	mm	lbs	kgs
2	50	4-1/8	105	2-3/8	60	1-15/16	49	-	-	6	3
2-1/2	65	4-7/8	124	2-5/8	67	2-11/32	60	-	-	10	5
3	80	5-3/8	137	2-7/8	73	2-29/32	74	1/4	6	13	6
4	100	6-7/8	175	2-7/8	73	3-53/64	97	5/8	16	17	8
5	125	7-3/4	197	3-3/8	86	4-13/16	122	7/8	22	27	12
6	150	8-3/4	222	3-7/8	98	5-49/64	146	1-3/8	35	35	16
8	200	11	279	5	127	7-5/8	194	2-1/8	54	70	32
10	250	13-3/8	340	5-3/4	146	9-9/16	243	2-3/4	70	106	48
12	300	16-1/8	410	7-1/8	181	11-3/8	289	3-1/4	83	172	78
14	350	17-3/4	451	7-1/4	184	12-1/2	318	3-1/4	83	200	91
16	400	20-1/4	514	7-1/2	191	15	381	4-7/16	113	275	125
18	450	21-5/8	549	8	203	16-7/8	429	5-3/8	137	315	143
20	500	23-7/8	606	8-5/8	219	18-13/16	478	6-5/16	160	435	197
24	600	28-1/4	718	8-3/4	222	22-5/8	575	8-1/4	210	620	281
30	750	34-3/4	883	13	330	29-1/4	743	9	229	1230	558
36	900	41-1/4	1048	15-1/4	387	35	889	11-15/16	303	2017	915
42	1050	48	1219	17	432	41	1041	15	381	2800	1270
48	1200	54-1/2	1384	20-5/8	524	47	1194	16-3/4	425	3920	1778

*Minimum companion flange bore.

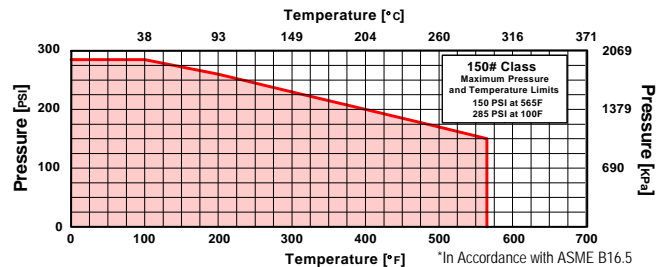
Sizes 30" and larger fit Series A flanges.

Seat Material	Operating Temperature**	
	°F	°C
Buna-N	-20 to 250	-29 to 121
Viton	-20 to 400	-29 to 204
EPDM	-40 to 300	-40 to 149

**Subject to limitations of body material.

Applicable Standards	
• Design ASME B16.5	• Design ASME B16.34
• Testing API 598	• Conforms to API 594 & 6D
• MSS SP - 6	• MSS SP - 25
• MSS SP - 55	

FLOW COEFFICIENTS						
Size	2"	2½"	3"	4"	5"	6"
C _v	48	98	170	290	495	720
Size	8"	10"	12"	14"	16"	18"
C _v	1800	2600	4300	5500	7200	9400
Size	20"	24"	30"	36"	42"	48"
C _v	12600	19000	37500	60000	89000	124000

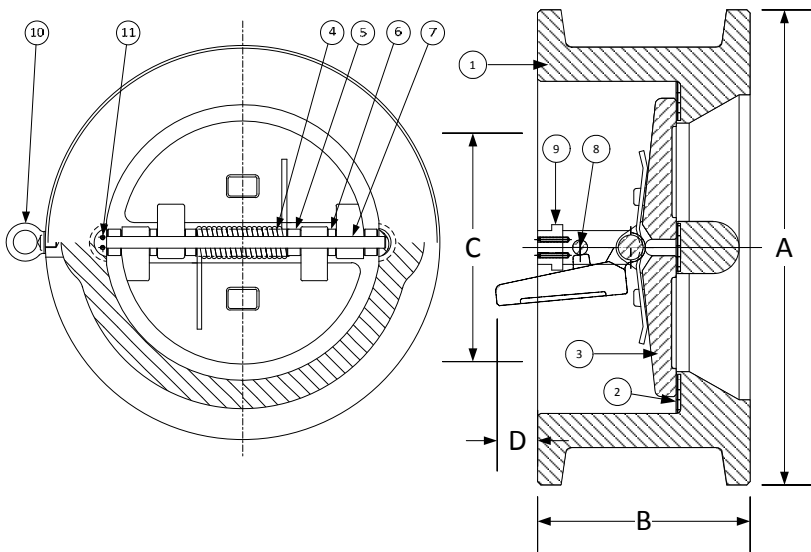




TECHNICAL DATA
DIMENSIONS AND WEIGHTS

Style DD

**Retainerless Wafer Body
Double Disc Check Valve, 300 lb.
Carbon Steel (ASTM A 216, Grade WCB)**



PARTS LIST		
ITEM	DESCRIPTION	MATERIAL
1	Body	Carbon Steel (ASTM A 216, Grade WCB)
2	Seat	Buna-N O-Ring
3	Disc	Stainless Steel (ASTM A 351, Grade CF8M)
4	Spring	Inconel X-750
5	Spring Plate	Stainless Steel (ASTM A 182, Grade F-316)
6	Thrust Washer	Stainless Steel (ASTM A 182, Grade F-316)
7	Hinge Pin	Stainless Steel (ASTM A 182, Grade F-316)
8	Stop Pin	Stainless Steel (ASTM A 182, Grade F-316)
9	Locating Piece	Stainless Steel (ASTM A 182, Grade F-316)
10	Lifting Lug	Carbon Steel
11	Screw	Stainless Steel (316)

Above "Standard" Product Number – DD4R-CS-361IX
Other Options - Reference C2 for available materials.

SIZE		DIMENSIONS								WEIGHTS	
		A		B		C*		D			
in	mm	in	mm	in	mm	in	mm	in	mm	lbs	kgs
2	50	4-3/8	111	2-3/8	60	1-15/16	49	-	-	7	3
2-1/2	65	5-1/8	130	2-5/8	67	2-11/32	60	-	-	11	5
3	80	5-7/8	149	2-7/8	73	2-29/32	74	1/4	6	15	7
4	100	7-1/8	181	2-7/8	73	3-53/64	97	5/8	16	18	8
5	125	8-1/2	216	3-3/8	86	4-13/16	122	7/8	22	35	16
6	150	9-7/8	251	3-7/8	98	5-49/64	146	1-3/8	35	45	20
8	200	12-1/8	308	5	127	7-5/8	194	2-1/8	54	82	37
10	250	14-1/4	362	5-3/4	146	9-9/16	243	2-3/4	70	125	57
12	300	16-5/8	422	7-1/8	181	11-3/8	289	3-1/4	83	200	91
14	350	19-1/8	486	8-3/4	222	12-1/2	318	3-3/16	81	325	147
16	400	21-1/4	540	9-1/8	232	14-5/16	364	4-1/8	105	415	188
18	450	23-1/2	597	10-3/8	264	16-7/8	429	4-13/16	122	555	252
20	500	25-3/4	654	11-1/2	292	17-15/16	456	5-5/8	143	725	329
24	600	30-1/2	775	12-1/2	318	21-9/16	548	7-1/16	179	1100	499
30	750	37-1/2	953	14-1/2	396	28-3/4	730	9-1/16	230	2050	930
36	900	44	1118	19	483	35	889	11-3/16	284	3573	1621
42	1050	45-7/8	1289	22-3/8	568	41	1041	14-3/4	375	4723	2147
48	1200	52-1/8	1492	24-3/4	629	47	1194	16-1/2	419	6090	2768

*Minimum companion flange bore.

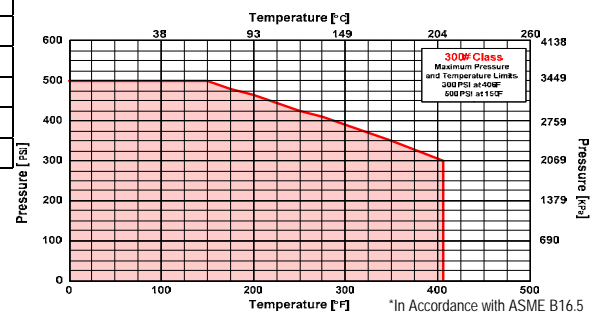
Sizes 30" and larger fit Series A flanges.

Seat Material	Operating Temperature**	
	°F	°C
Buna-N	-20 to 250	-29 to 121
Viton	-20 to 400	-29 to 204
EPDM	-40 to 300	-40 to 149

**Subject to limitations of body material.

Applicable Standards
• Design ASME B16.5
• Design ASME B16.34
• Testing API 598
• Conforms to API 594 & 6D
• MSS SP - 6
• MSS SP - 25
• MSS SP - 55

FLOW COEFFICIENTS						
Size	2"	2½"	3"	4"	5"	6"
C _v	48	98	170	290	495	720
Size	8"	10"	12"	14"	16"	18"
C _v	1800	2600	4300	5500	7200	9400
Size	20"	24"	30"	36"	42"	48"
C _v	12600	19000	37500	60000	89000	124000



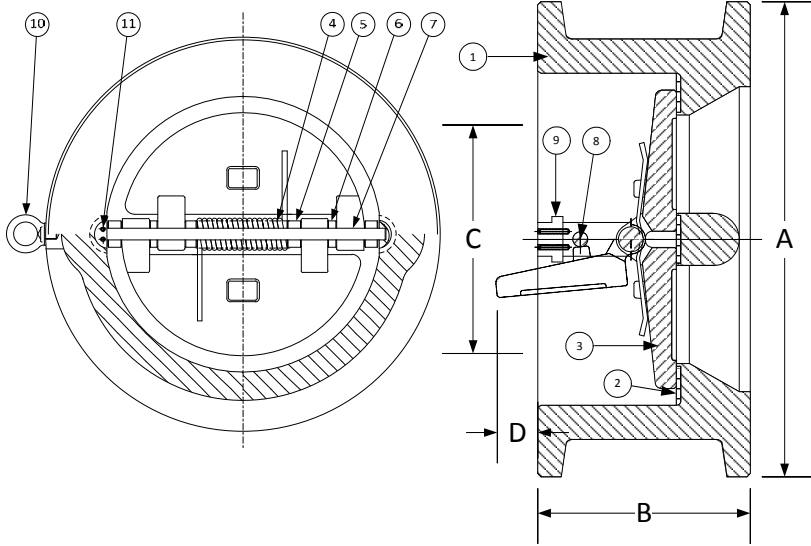
*In Accordance with ASME B16.5



TECHNICAL DATA
DIMENSIONS AND WEIGHTS

Style DD

**Retainerless Wafer Body
Double Disc Check Valve, 600 lb.
Carbon Steel (ASTM A 216, Grade WCB)**



PARTS LIST

ITEM	DESCRIPTION	MATERIAL
1	Body	Carbon Steel (ASTM A 216, Grade WCB)
2	Seat	Buna-N O-Ring
3	Disc	Stainless Steel (ASTM A 351, Grade CF8M)
4	Spring	Inconel X-750
5	Spring Plate	Stainless Steel (ASTM A 182, Grade F-316)
6	Thrust Washer	Stainless Steel (ASTM A 182, Grade F-316)
7	Hinge Pin	Stainless Steel (ASTM A 182, Grade F-316)
8	Stop Pin	Stainless Steel (ASTM A 182, Grade F-316)
9	Locating Piece	Stainless Steel (ASTM A 182, Grade F-316)
10	Lifting Lug	Carbon Steel
11	Screw	Stainless Steel (316)

Above "Standard" Product Number - DD5R-CS-361X
Other Options - Reference C2 for available materials.

SIZE		DIMENSIONS								WEIGHTS	
		A		B		C*		D			
in	mm	in	mm	in	mm	in	mm	in	mm	lbs	kgs
2	50	4-3/8	111	2-3/8	60	1-15/16	49	-	-	7	3
2-1/2	65	5-1/8	130	2-5/8	67	2-11/32	60	1/8	3	11	5
3	80	5-7/8	149	2-7/8	73	2-29/32	74	1/4	6	15	7
4	100	7-5/8	194	3-1/8	79	3-53/64	97	7/8	22	26	12
5	125	9-1/2	241	4-1/8	105	4-13/16	122	1	25	50	23
6	150	10-1/2	267	5-3/8	136	5-49/64	146	1-7/16	36	80	36
8	200	12-5/8	321	6-1/2	165	7-5/8	194	2	51	135	61
10	250	15-3/4	400	8-3/8	213	9-9/16	243	2-9/32	58	238	108
12	300	18	457	9	229	11-3/8	289	3-15/32	88	333	151
14	350	19-3/8	492	10-3/4	273	12-1/2	318	2-3/4	70	455	206
16	400	22-1/4	565	12	305	14-5/16	364	4-5/16	110	640	290
18	450	24-1/8	613	14-1/4	362	16-1/8	410	3-11/16	94	890	404
20	500	26-7/8	386	14-1/2	368	17-15/16	456	5-5/16	135	1120	508
24	600	31-1/8	791	17-1/4	438	21-9/16	548	6-9/16	167	2040	925
30	750	38-1/4	972	19-7/8	505	28-3/4	730	9-9/16	243	3375	1531
36	900	44-1/2	1130	25	635	33-3/4	857	11-15/16	303	6300	2858
42	1050	48	1219	27-5/8	702	39-1/2	1003	14-1/4	362	8447	3832

*Minimum companion flange bore.

Sizes 30" and larger fit Series A flanges.

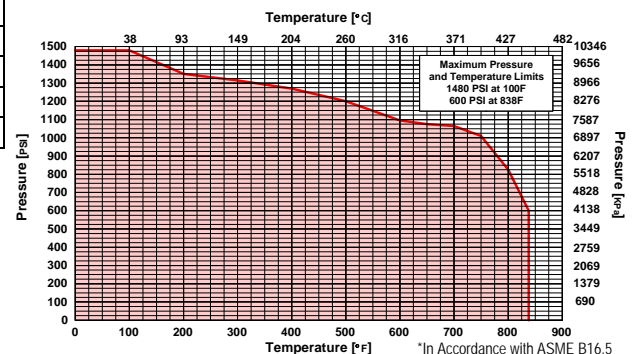
Seat Material	Operating Temperature**	
	°F	°C
Buna-N	-20 to 250	-29 to 121
Viton	-20 to 400	-29 to 204
EPDM	-40 to 300	-40 to 149

Applicable Standards
• Design ASME B16.5
• Design ASME B16.34
• Testing API 598
• Conforms to API 594 & 6D
• MSS SP - 6
• MSS SP - 25
• MSS SP - 55

**Subject to limitations of body material.

FLOW COEFFICIENTS

Size	2"	2½"	3"	4"	5"	6"
C _v	48	98	170	290	495	720
Size	8"	10"	12"	14"	16"	18"
C _v	1800	2600	4300	5500	7200	9400
Size	20"	24"	30"	36"	42"	
C _v	12600	19000	37500	60000	89000	



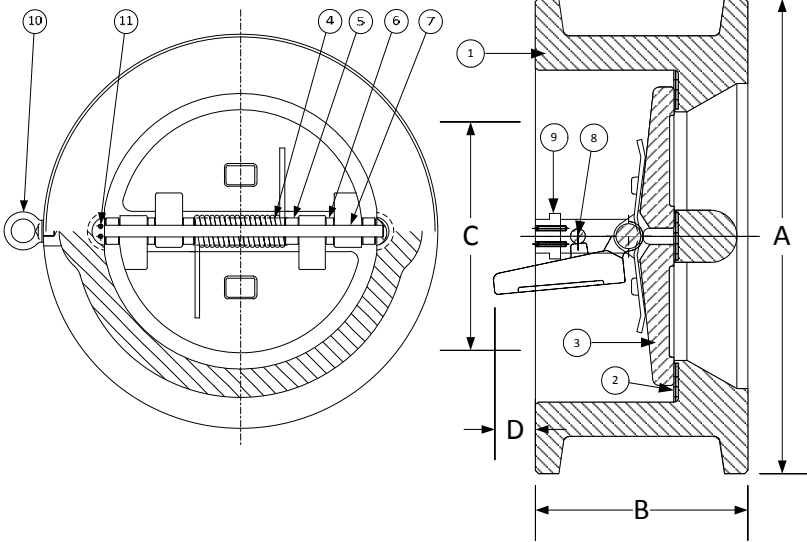
*In Accordance with ASME B16.5



TECHNICAL DATA
DIMENSIONS AND WEIGHTS

Style DD

**Retainerless Wafer Body
Double Disc Check Valve, 900 lb.
Carbon Steel (ASTM A 216, Grade WCB)**



PARTS LIST		
ITEM	DESCRIPTION	MATERIAL
1	Body	Carbon Steel (ASTM A 216, Grade WCB)
2	Seat	Buna-N O-Ring
3	Disc	Stainless Steel (ASTM A 351, Grade CF8M)
4	Spring	Inconel X-750
5	Spring Plate	Stainless Steel (ASTM A 182, Grade F-316)
6	Thrust Washer	Stainless Steel (ASTM A 182, Grade F-316)
7	Hinge Pin	Stainless Steel (ASTM A 182, Grade F-316)
8	Stop Pin	Stainless Steel (ASTM A 182, Grade F-316)
9	Locating Piece	Stainless Steel (ASTM A 182, Grade F-316)
10	Lifting Lug	Carbon Steel
11	Screw	Stainless Steel (316)

Above "Standard" Product Number – DD6R-CS-361IX
Other Options - Reference C2 for available materials.

SIZE		DIMENSIONS								WEIGHTS	
		A		B		C*		D			
in	mm	in	mm	in	mm	in	mm	in	mm	lbs	kgs
2	50	5-5/8	143	2-3/4	70	1-11/16	43	-	-	14	6
2-1/2	65	6-1/2	165	3-1/4	83	2-1/8	54	1/16	2	16	7
3	80	6-5/8	168	3-1/4	83	2-5/8	67	5/16	8	24	11
4	100	8-1/8	206	4	102	3-7/16	87	9/16	14	40	18
5	125	9-3/4	248	-	-	4-5/16	110	-	-	-	-
6	150	11-3/8	289	6-1/4	159	5-3/16	132	1-1/16	27	115	52
8	200	14-1/8	359	8-1/8	206	6-13/16	173	1-13/32	36	229	104
10	250	17-1/8	435	9-1/2	241	8-1/2	216	1-13/16	46	388	176
12	300	19-5/8	498	11-1/2	292	10-1/8	257	2-5/16	59	540	245
14	350	20-1/2	521	14	356	11-1/2	292	2	51	926	420
16	400	22-5/8	575	15-1/8	384	12-13/16	325	2-5/8	67	1152	523
18	450	25-1/8	638	17-3/4	451	14-7/16	367	2-9/16	65	1318	598
20	500	27-1/2	699	17-3/4	451	17-15/16	456	5-5/16	135	1426	647
24	600	33	838	19-1/2	495	21-1/2	546	5-5/8	143	2729	1238

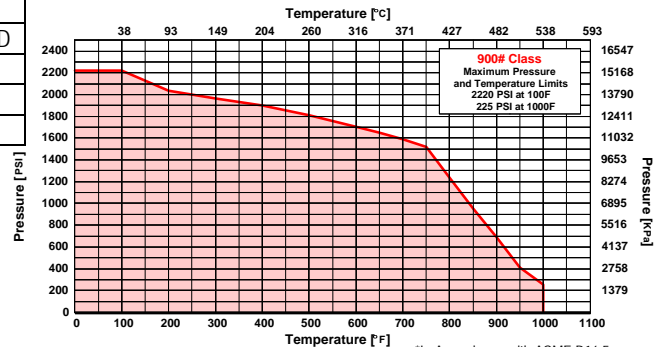
*Minimum companion flange bore.

Seat Material	Operating Temperature**	
	°F	°C
Buna-N	-20 to 250	-29 to 121
Viton	-20 to 400	-29 to 204
EPDM	-40 to 300	-40 to 149

**Subject to limitations of body material.

Applicable Standards
• Design ASME B16.5
• Design ASME B16.34
• Testing API 598
• Conforms to API 594 & 6D
• MSS SP – 6
• MSS SP – 25
• MSS SP – 55

FLOW COEFFICIENTS						
Size	2"	2½"	3"	4"	5"	6"
C _v	48	98	170	290	495	720
Size	8"	10"	12"	14"	16"	18"
C _v	1800	2600	4300	5500	7200	9400
Size	20"	24"				
C _v	12600	19000				



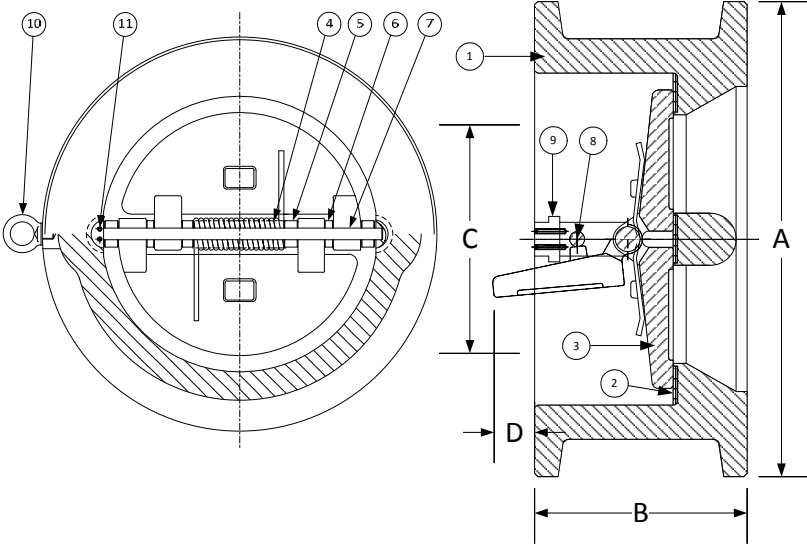
*In Accordance with ASME B16.5



TECHNICAL DATA
DIMENSIONS AND WEIGHTS

Style DD

**Retainerless Wafer Body
Double Disc Check Valve, 1500 lb.
Carbon Steel (ASTM A 216, Grade WCB)**



PARTS LIST		
ITEM	DESCRIPTION	MATERIAL
1	Body	Carbon Steel (ASTM A 216, Grade WCB)
2	Seat	Buna-N O-Ring
3	Disc	Stainless Steel (ASTM A 351, Grade CF8M)
4	Spring	Inconel X-750
5	Spring Plate	Stainless Steel (ASTM A 182, Grade F-316)
6	Thrust Washer	Stainless Steel (ASTM A 182, Grade F-316)
7	Hinge Pin	Stainless Steel (ASTM A 182, Grade F-316)
8	Stop Pin	Stainless Steel (ASTM A 182, Grade F-316)
9	Locating Piece	Stainless Steel (ASTM A 182, Grade F-316)
10	Lifting Lug	Carbon Steel
11	Screw	Stainless Steel (316)

Above "Standard" Product Number – DD7R-CS-361IX
Other Options - Reference C2 for available materials.

SIZE		DIMENSIONS								WEIGHTS	
		A		B		C*		D			
in	mm	in	mm	in	mm	in	mm	in	mm	lbs	kgs
2	50	5-5/8	143	2-3/4	70	1-11/16	43	-	-	14	6
2-1/2	65	6-1/2	165	3-1/4	83	2-1/8	54	1/16	2	16	7
3	80	6-7/8	175	3-1/4	83	2-5/8	67	5/16	8	25	11
4	100	8-1/4	210	4	102	3-7/16	87	9-1/16	14	53	20
5	125	10	254	-	-	4-5/16	110	-	-	-	-
6	150	11-1/8	283	6-1/4	159	5-3/16	132	1-1/16	27	110	50
8	200	13-7/8	352	8-1/8	206	6-13/16	173	1-13/32	36	219	99
10	250	17-1/8	435	9-3/4	248	8-1/2	216	1-11/16	43	397	180
12	300	20-1/2	521	12	305	10-1/8	257	2-1/4	57	725	329
14	350	22-3/4	578	14	356	11-1/2	292	2	51	948	430
16	400	25-1/4	641	15-1/8	384	12-13/16	325	2-5/8	67	1380	627
18	450	27-3/4	705	18-7/16	468	13-3/4	349	2-11/16	68	1900	863
20	500	29-3/4	756	21	533	14-3/4	375	4	102	2750	1247
24	600	35-1/2	902	22	559	15-1/8	384	4-1/8	105	4409	2000

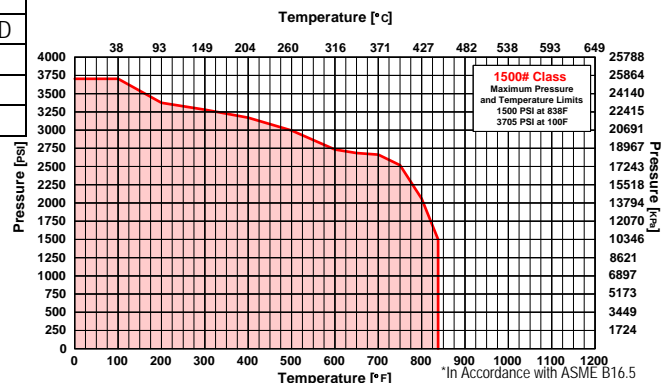
*Minimum companion flange bore.

Seat Material	Operating Temperature**	
	°F	°C
Buna-N	-20 to 250	-29 to 121
Viton	-20 to 400	-29 to 204
EPDM	-40 to 300	-40 to 149

**Subject to limitations of body material.

Applicable Standards
• Design ASME B16.5
• Design ASME B16.34
• Testing API 598
• Conforms to API 594 & 6D
• MSS SP – 6
• MSS SP – 25
• MSS SP – 55

FLOW COEFFICIENTS						
Size	2"	2½"	3"	4"	5"	6"
C _v	48	98	170	290	495	720
Size	8"	10"	12"	14"	16"	18"
C _v	1800	2600	4300	5500	7200	9400
Size	20"	24"				
C _v	12600	19000				

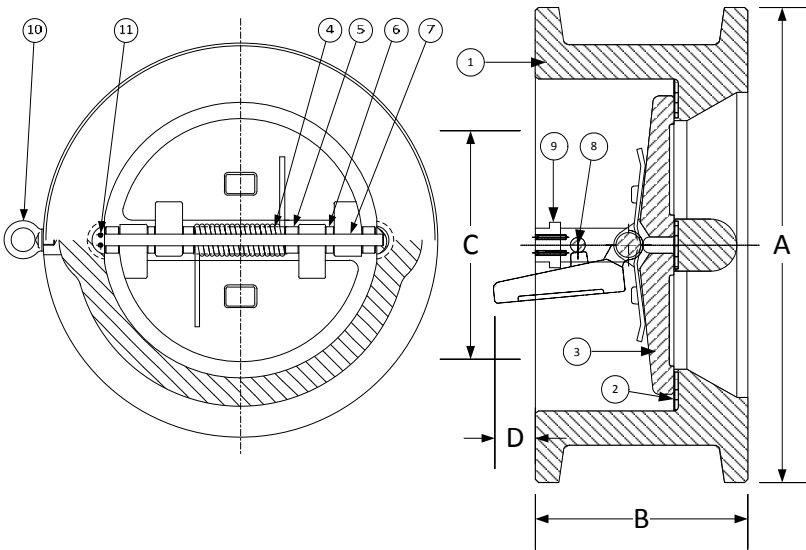




TECHNICAL DATA
DIMENSIONS AND WEIGHTS

Style DD

**Retainerless Wafer Body
Double Disc Check Valve, 150 lb.
Stainless Steel (ASTM A 351, Grade CF8M)**



PARTS LIST		
ITEM	DESCRIPTION	MATERIAL
1	Body	Stainless Steel (ASTM A 351, Grade CF8M)
2	Seat	Buna-N O-Ring
3	Disc	Stainless Steel (ASTM A 351, Grade CF8M)
4	Spring	Inconel X-750
5	Spring Plate	Stainless Steel (ASTM A 182, Grade F-316)
6	Thrust Washer	Stainless Steel (ASTM A 182, Grade F-316)
7	Hinge Pin	Stainless Steel (ASTM A 182, Grade F-316)
8	Stop Pin	Stainless Steel (ASTM A 182, Grade F-316)
9	Locating Piece	Stainless Steel (ASTM A 182, Grade F-316)
10	Lifting Lug	Carbon Steel
11	Screw	Stainless Steel (316)

Above "Standard" Product Number - DD2R-36-361IX
Other Options - Reference C2 for available materials.

SIZE		DIMENSIONS								WEIGHTS	
		A		B		C*		D			
in	mm	in	mm	in	mm	in	mm	in	mm	lbs	kgs
2	50	4-1/8	105	2-3/8	60	1-15/16	49	-	-	6	3
2-1/2	65	4-7/8	124	2-5/8	67	2-11/32	60	-	-	10	5
3	80	5-3/8	137	2-7/8	73	2-29/32	74	1/4	6	13	6
4	100	6-7/8	175	2-7/8	73	3-53/64	97	5/8	16	17	8
5	125	7-3/4	197	3-3/8	86	4-13/16	122	7/8	22	27	12
6	150	8-3/4	222	3-7/8	98	5-49/64	146	1-3/8	35	35	16
8	200	11	279	5	127	7-5/8	194	2-1/8	54	70	32
10	250	13-3/8	340	5-3/4	146	9-9/16	243	2-3/4	70	106	48
12	300	16-1/8	410	7-1/8	181	11-3/8	289	3-1/4	83	172	78
14	350	17-3/4	451	7-1/4	184	12-1/2	318	3-1/4	83	200	91
16	400	20-1/4	514	7-1/2	191	15	381	4-7/16	113	275	125
18	450	21-5/8	549	8	203	16-7/8	429	5-3/8	137	315	143
20	500	23-7/8	606	8-5/8	219	18-13/16	478	6-5/16	160	435	197
24	600	28-1/4	718	8-3/4	222	22-5/8	575	8-1/4	210	620	281
30	750	34-3/4	883	13	330	29-1/4	743	9	229	1230	558
36	900	41-1/4	1048	15-1/4	387	35	889	11-15/16	303	2017	915
42	1050	48	1219	17	432	41	1041	15	381	2800	1270
48	1200	54-1/2	1384	20-5/8	524	47	1194	16-3/4	425	3920	1778

*Minimum companion flange bore.

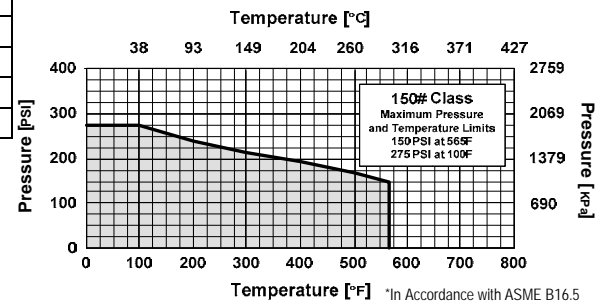
Sizes 30" and larger fit Series A flanges.

Seat Material	Operating Temperature**	
	°F	°C
Buna-N	-20 to 250	-29 to 121
Viton	-20 to 400	-29 to 204
EPDM	-40 to 300	-40 to 149

**Subject to limitations of body material.

Applicable Standards
• Design ASME B16.5
• Design ASME B16.34
• Testing API 598
• Conforms to API 594 & 6D
• MSS SP - 6
• MSS SP - 25
• MSS SP - 55

FLOW COEFFICIENTS						
Size	2"	2½"	3"	4"	5"	6"
C _v	48	98	170	290	495	720
Size	8"	10"	12"	14"	16"	18"
C _v	1800	2600	4300	5500	7200	9400
Size	20"	24"	30"	36"	42"	48"
C _v	12600	19000	37500	60000	89000	124000

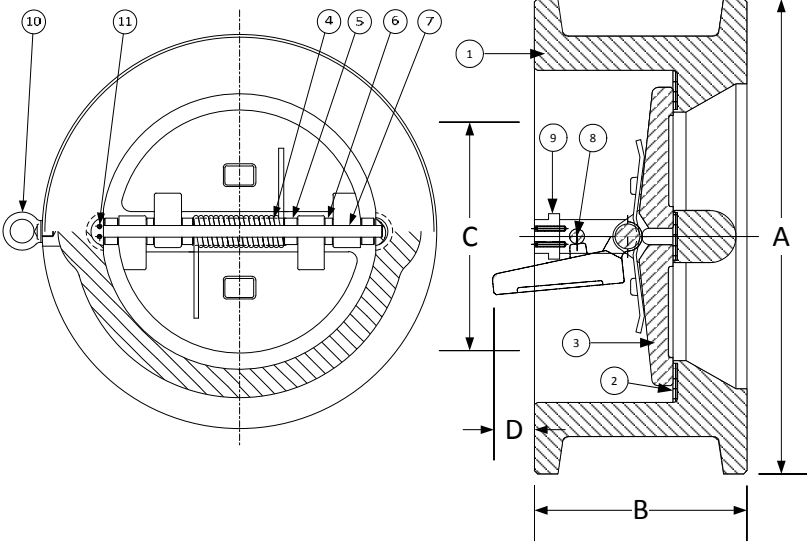




TECHNICAL DATA
DIMENSIONS AND WEIGHTS

Style DD

**Retainerless Wafer Body
Double Disc Check Valve, 300 lb.
Stainless Steel (ASTM A 351, Grade CF8M)**



PARTS LIST

ITEM	DESCRIPTION	MATERIAL
1	Body	Stainless Steel (ASTM A 351, Grade CF8M)
2	Seat	Buna-N O-Ring
3	Disc	Stainless Steel (ASTM A 351, Grade CF8M)
4	Spring	Inconel X-750
5	Spring Plate	Stainless Steel (ASTM A 182, Grade F-316)
6	Thrust Washer	Stainless Steel (ASTM A 182, Grade F-316)
7	Hinge Pin	Stainless Steel (ASTM A 182, Grade F-316)
8	Stop Pin	Stainless Steel (ASTM A 182, Grade F-316)
9	Locating Piece	Stainless Steel (ASTM A 182, Grade F-316)
10	Lifting Lug	Carbon Steel
11	Screw	Stainless Steel (316)

Above "Standard" Product Number – DD4R-36-3611X
Other Options - Reference C2 for available materials.

SIZE		DIMENSIONS								WEIGHTS	
		A		B		C*		D			
in	mm	in	mm	in	mm	in	mm	in	mm	lbs	kgs
2	50	4-3/8	111	2-3/8	60	1-15/16	49	-	-	7	3
2-1/2	65	5-1/8	130	2-5/8	67	2-11/32	60	-	-	11	5
3	80	5-7/8	149	2-7/8	73	2-29/32	74	1/4	6	15	7
4	100	7-1/8	181	2-7/8	73	3-53/64	97	5/8	16	18	8
5	125	8-1/2	216	3-3/8	86	4-13/16	122	7/8	22	35	16
6	150	9-7/8	251	3-7/8	98	5-49/64	146	1-3/8	35	45	20
8	200	12-1/8	308	5	127	7-5/8	194	2-1/8	54	82	37
10	250	14-1/4	362	5-3/4	146	9-9/16	243	2-3/4	70	125	57
12	300	16-5/8	422	7-1/8	181	11-3/8	289	3-1/4	83	200	91
14	350	19-1/8	486	8-3/4	222	12-1/2	318	3-3/16	81	325	147
16	400	21-1/4	540	9-1/8	232	14-5/16	364	4-1/8	105	415	188
18	450	23-1/2	597	10-3/8	264	16-7/8	429	4-13/16	122	555	252
20	500	25-3/4	654	11-1/2	292	17-15/16	456	5-5/8	143	725	329
24	600	30-1/2	775	12-1/2	318	21-9/16	548	7-1/16	179	1100	499
30	750	37-1/2	953	14-1/2	368	28-3/4	730	9-1/16	230	2050	930
36	900	44	1118	19	483	35	889	11-3/16	284	3573	1621
42	1050	45-7/8	1289	22-3/8	568	41	1041	14-3/4	375	4723	2147
48	1200	52-1/8	1492	24-3/4	629	47	1194	16-1/2	419	6090	2768

*Minimum companion flange bore.

Sizes 30" and larger fit Series A flanges.

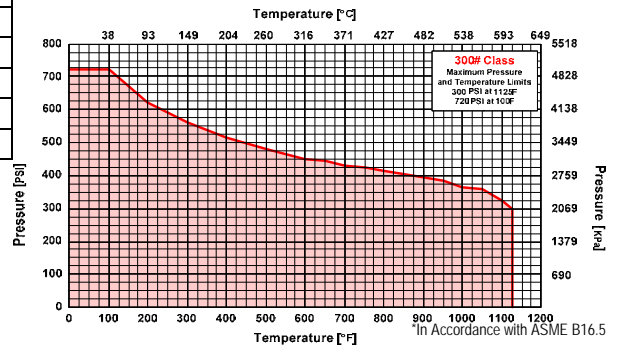
Seat Material	Operating Temperature**	
	°F	°C
Buna-N	-20 to 250	-29 to 121
Viton	-20 to 400	-29 to 204
EPDM	-40 to 300	-40 to 149

**Subject to limitations of body material.

Applicable Standards
• Design ASME B16.5
• Design ASME B16.34
• Testing API 598
• Conforms to API 594 & 6D
• MSS SP - 6
• MSS SP - 25
• MSS SP - 55

FLOW COEFFICIENTS

Size	2"	2½"	3"	4"	5"	6"
C _v	48	98	170	290	495	720
Size	8"	10"	12"	14"	16"	18"
C _v	1800	2600	4300	5500	7200	9400
Size	20"	24"	30"	36"	42"	48"
C _v	12600	19000	37500	60000	89000	124000

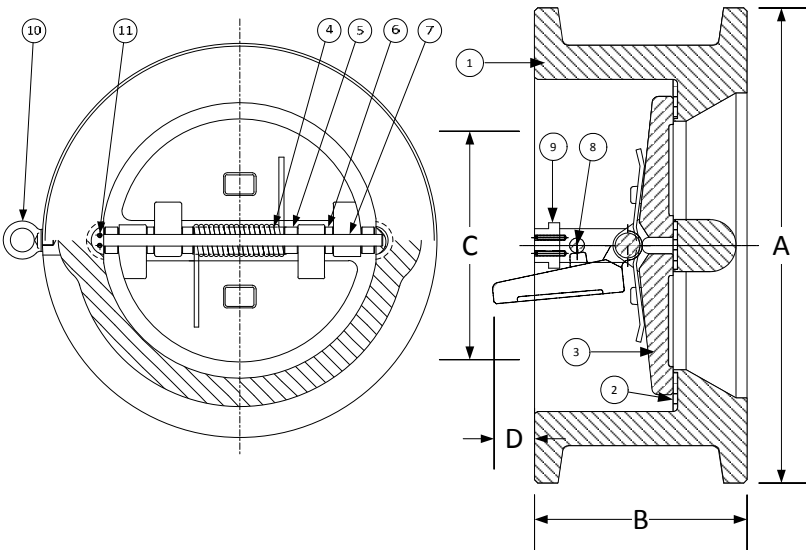




TECHNICAL DATA
DIMENSIONS AND WEIGHTS

Style DD

**Retainerless Wafer Body
Double Disc Check Valve, 600 lb.
Stainless Steel (ASTM A 351, Grade CF8M)**



PARTS LIST		
ITEM	DESCRIPTION	MATERIAL
1	Body	Stainless Steel (ASTM A 351, Grade CF8M)
2	Seat	Buna-N O-Ring
3	Disc	Stainless Steel (ASTM A 351, Grade CF8M)
4	Spring	Inconel X-750
5	Spring Plate	Stainless Steel (ASTM A 182, Grade F-316)
6	Thrust Washer	Stainless Steel (ASTM A 182, Grade F-316)
7	Hinge Pin	Stainless Steel (ASTM A 182, Grade F-316)
8	Stop Pin	Stainless Steel (ASTM A 182, Grade F-316)
9	Locating Piece	Stainless Steel (ASTM A 182, Grade F-316)
10	Lifting Lug	Carbon Steel
11	Screw	Stainless Steel (316)

Above "Standard" Product Number – DD5R-36-3611X
Other Options - Reference C2 for available materials.

SIZE		DIMENSIONS								WEIGHTS	
		A		B		C*		D			
in	mm	in	mm	in	mm	in	mm	in	mm	lbs	kgs
2	50	4-3/8	111	2-3/8	60	1-15/16	49	-	-	7	3
2-1/2	65	5-1/8	130	2-5/8	67	2-11/32	60	1/8	3	11	5
3	80	5-7/8	149	2-7/8	73	2-29/32	74	1/4	6	15	7
4	100	7-5/8	194	3-1/8	79	3-53/64	97	7/8	22	26	12
5	125	9-1/2	241	4-1/8	105	4-13/16	122	1	25	50	23
6	150	10-1/2	267	5-3/8	136	5-49/64	146	1-7/16	36	80	36
8	200	12-5/8	321	6-1/2	165	7-5/8	194	2	51	135	61
10	250	15-3/4	400	8-3/8	213	9-9/16	243	2-9/32	58	238	108
12	300	18	457	9	229	11-3/8	289	3-15/32	88	333	151
14	350	19-3/8	492	10-3/4	273	12-1/2	318	2-3/4	70	455	206
16	400	22-1/4	565	12	305	14-5/16	364	4-5/16	110	640	290
18	450	24-1/8	613	14-1/4	362	16-1/8	410	3-11/16	94	890	404
20	500	26-7/8	386	14-1/2	368	17-15/16	456	5-5/16	135	1120	508
24	600	31-1/8	791	17-1/4	438	21-9/16	548	6-9/16	167	2040	925
30	750	38-1/4	972	19-7/8	505	28-3/4	730	9-9/16	243	3375	1531
36	900	44-1/2	1130	25	635	33-3/4	857	11-15/16	303	6300	2858
42	1050	48	1219	27-5/8	702	39-1/2	1003	14-1/4	362	8447	3832

*Minimum companion flange bore.

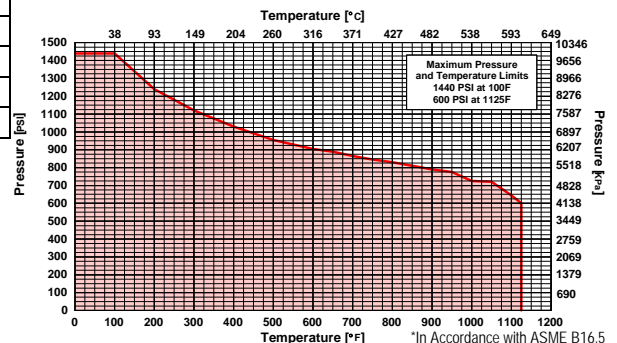
Sizes 30" and larger fit Series A flanges.

Seat Material	Operating Temperature**	
	°F	°C
Buna-N	-20 to 250	-29 to 121
Viton	-20 to 400	-29 to 204
EPDM	-40 to 300	-40 to 149

**Subject to limitations of body material.

Applicable Standards
• Design ASME B16.5
• Design ASME B16.34
• Testing API 598
• Conforms to API 594 & 6D
• MSS SP – 6
• MSS SP – 25
• MSS SP – 55

FLOW COEFFICIENTS						
Size	2"	2½"	3"	4"	5"	6"
C _v	48	98	170	290	495	720
Size	8"	10"	12"	14"	16"	18"
C _v	1800	2600	4300	5500	7200	9400
Size	20"	24"	30"	36"	42"	
C _v	12600	19000	37500	60000	89000	

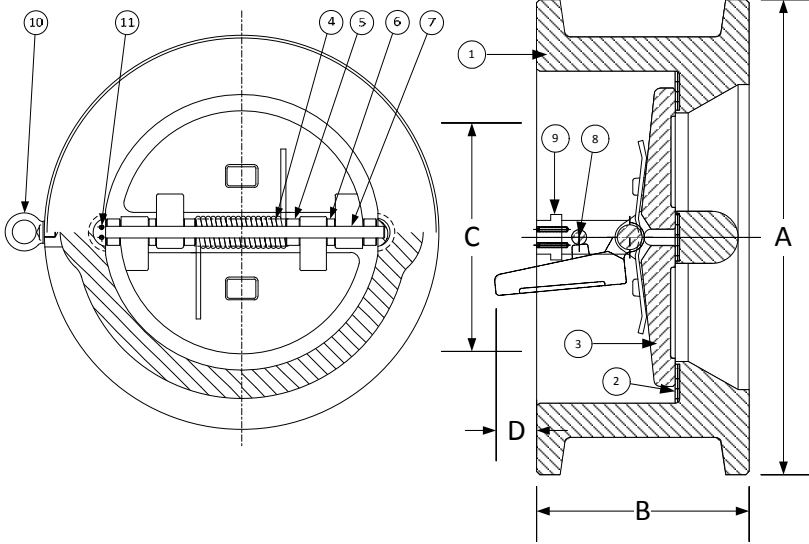




TECHNICAL DATA
DIMENSIONS AND WEIGHTS

Style DD

**Retainerless Wafer Body
Double Disc Check Valve, 900 lb.
Stainless Steel (ASTM A 351, Grade CF8M)**



PARTS LIST

ITEM	DESCRIPTION	MATERIAL
1	Body	Stainless Steel (ASTM A 351, Grade CF8M)
2	Seat	Buna-N O-Ring
3	Disc	Stainless Steel (ASTM A 351, Grade CF8M)
4	Spring	Inconel X-750
5	Spring Plate	Stainless Steel (ASTM A 182, Grade F-316)
6	Thrust Washer	Stainless Steel (ASTM A 182, Grade F-316)
7	Hinge Pin	Stainless Steel (ASTM A 182, Grade F-316)
8	Stop Pin	Stainless Steel (ASTM A 182, Grade F-316)
9	Locating Piece	Stainless Steel (ASTM A 182, Grade F-316)
10	Lifting Lug	Carbon Steel
11	Screw	Stainless Steel (316)

Above "Standard" Product Number – DD6R-36-3611X
Other Options - Reference C2 for available materials.

SIZE		DIMENSIONS								WEIGHTS	
		A		B		C*		D			
in	mm	in	mm	in	mm	in	mm	in	mm	lbs	kgs
2	50	5-5/8	143	2-3/4	70	1-11/16	43	-	-	14	6
2-1/2	65	6-1/2	165	3-1/4	83	2-1/8	54	1/16	2	16	7
3	80	6-5/8	168	3-1/4	83	2-5/8	67	5/16	8	24	11
4	100	8-1/8	206	4	102	3-7/16	87	9/16	14	40	18
5	125	9-3/4	248	-	-	4-5/16	110	-	-	-	-
6	150	11-3/8	289	6-1/4	159	5-3/16	132	1-1/16	27	115	52
8	200	14-1/8	359	8-1/8	206	6-13/16	173	1-13/32	36	229	104
10	250	17-1/8	435	9-1/2	241	8-1/2	216	1-13/16	46	388	176
12	300	19-5/8	498	11-1/2	292	10-1/8	257	2-5/16	59	540	245
14	350	20-1/2	521	14	356	11-1/2	292	2	51	926	420
16	400	22-5/8	575	15-1/8	384	12-13/16	325	2-5/8	67	1152	523
18	450	25-1/8	638	17-3/4	451	14-7/16	367	2-9/16	65	1318	598
20	500	27-1/2	699	17-3/4	451	17-15/16	456	5-5/16	135	1426	647
24	600	33	838	19-1/2	495	21-1/2	546	5-5/8	143	2729	1238

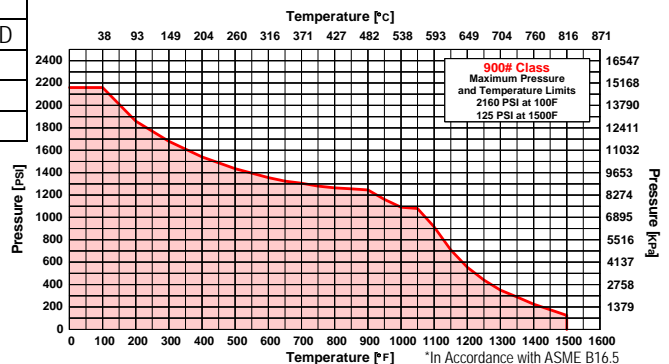
*Minimum companion flange bore.

Seat Material	Operating Temperature**	
	°F	°C
Buna-N	-20 to 250	-29 to 121
Viton	-20 to 400	-29 to 204
EPDM	-40 to 300	-40 to 149

**Subject to limitations of body material.

Applicable Standards
• Design ASME B16.5
• Design ASME B16.34
• Testing API 598
• Conforms to API 594 & 6D
• MSS SP - 6
• MSS SP - 25
• MSS SP - 55

FLOW COEFFICIENTS						
Size	2"	2½"	3"	4"	5"	6"
C _v	48	98	170	290	495	720
Size	8"	10"	12"	14"	16"	18"
C _v	1800	2600	4300	5500	7200	9400
Size	20"	24"				
C _v	12600	19000				

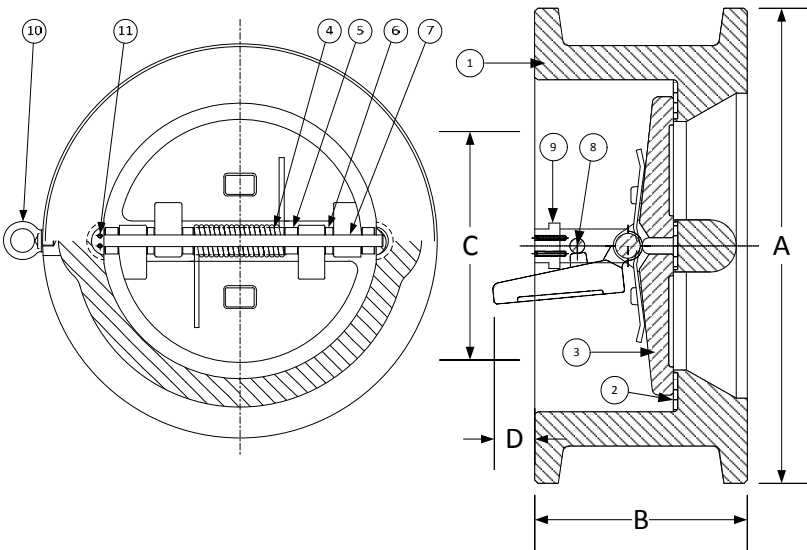




TECHNICAL DATA
DIMENSIONS AND WEIGHTS

Style DD

**Retainerless Wafer Body
Double Disc Check Valve, 1500 lb.
Stainless Steel (ASTM A 351, Grade CF8M)**



PARTS LIST

ITEM	DESCRIPTION	MATERIAL
1	Body	Stainless Steel (ASTM A 351, Grade CF8M)
2	Seat	Buna-N O-Ring
3	Disc	Stainless Steel (ASTM A 351, Grade CF8M)
4	Spring	Inconel X-750
5	Spring plate	Stainless Steel (ASTM A 182, Grade F-316)
6	Thrust Washer	Stainless Steel (ASTM A 182, Grade F-316)
7	Hinge pin	Stainless Steel (ASTM A 182, Grade F-316)
8	Stop Pin	Stainless Steel (ASTM A 182, Grade F-316)
9	Locating piece	Stainless Steel (ASTM A 182, Grade F-316)
10	Lifting lug	Carbon Steel
11	Screw	Stainless Steel (316)

Above "Standard" Product Number – DD7R-36-361IX
Other Options - Reference C2 for available materials.

SIZE		DIMENSIONS								WEIGHTS	
		A		B		C*		D			
in	mm	in	mm	in	mm	in	mm	in	mm	lbs	kgs
2	50	5-5/8	143	2-3/4	70	1-11/16	43	-	-	14	6
2-1/2	65	6-1/2	165	3-1/4	83	2-1/8	54	1/16	2	16	7
3	80	6-7/8	175	3-1/4	83	2-5/8	67	5/16	8	25	11
4	100	8-1/4	210	4	102	3-7/16	87	9-1/16	14	53	20
5	125	10	254	-	-	4-5/16	110	-	-	-	-
6	150	11-1/8	283	6-1/4	159	5-3/16	132	1-1/16	27	110	50
8	200	13-7/8	352	8-1/8	206	6-13/16	173	1-13/32	36	219	99
10	250	17-1/8	435	9-3/4	248	8-1/2	216	1-11/16	43	397	180
12	300	20-1/2	521	12	305	10-1/8	257	2-1/4	57	725	329
14	350	22-3/4	578	14	356	11-1/2	292	2	51	948	430
16	400	25-1/4	641	15-1/8	384	12-13/16	325	2-5/8	67	1380	627
18	450	27-3/4	705	18-7/16	468	13-3/4	349	2-11/16	68	1900	863
20	500	29-3/4	756	21	533	14-3/4	375	4	102	2750	1247
24	600	35-1/2	902	22	559	15-1/8	384	4-1/8	105	4409	2000

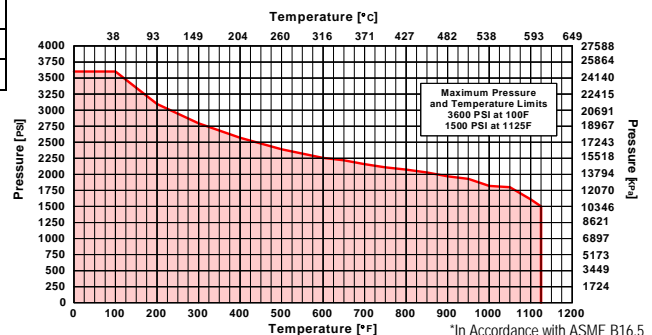
*Minimum companion flange bore.

Seat Material	Operating Temperature**	
	°F	°C
Buna-N	-20 to 250	-29 to 121
Viton	-20 to 400	-29 to 204
EPDM	-40 to 300	-40 to 149

**Subject to limitations of body material.

Applicable Standards
• Design ASME B16.5
• Design ASME B16.34
• Testing API 598
• Conforms to API 594 & 6D
• MSS SP – 6
• MSS SP – 25
• MSS SP – 55

FLOW COEFFICIENTS						
Size	2"	2½"	3"	4"	5"	6"
C _v	48	98	170	290	495	720
Size	8"	10"	12"	14"	16"	18"
C _v	1800	2600	4300	5500	7200	9400
Size	20"	24"				
C _v	12600	19000				

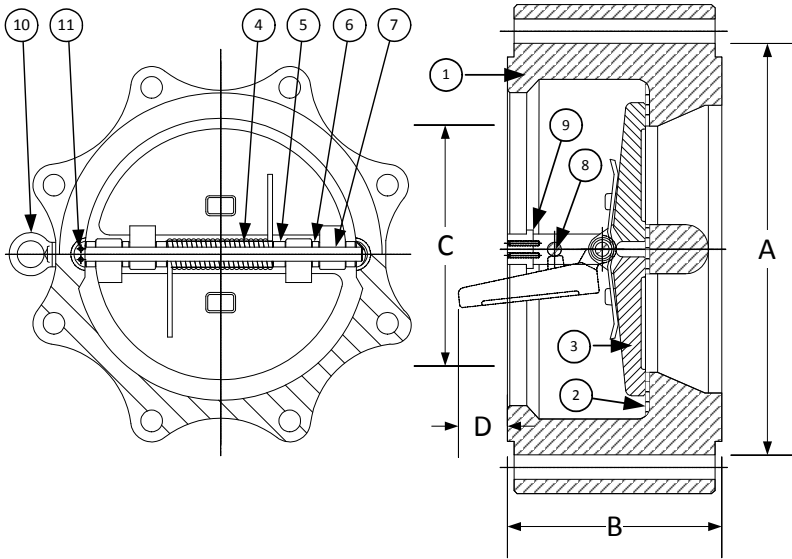




TECHNICAL DATA
DIMENSIONS AND WEIGHTS

Style DL

**Retainerless Wafer Lug Body
Double Disc Check Valve, 150 lb.
Bronze (ASTM B 62, C83600)**



PARTS LIST		
ITEM	DESCRIPTION	MATERIAL
1	Body	Bronze (ASTM B 62, C83600)
2	Seat	Buna-N O-Ring
3	Disc	Stainless Steel (ASTM A 351, Grade CF8M)
4	Spring	Inconel X-750
5	Spring Plate	Stainless Steel (ASTM A 182, Grade F-316)
6	Thrust Washer	Stainless Steel (ASTM A 182, Grade F-316)
7	Hinge Pin	Stainless Steel (ASTM A 182, Grade F-316)
8	Stop Pin	Stainless Steel (ASTM A 182, Grade F-316)
9	Locating Piece	Stainless Steel (ASTM A 182, Grade F-316)
10	Lifting Lug	Carbon Steel
11	Screw	Stainless Steel (316)

Above "Standard" Product Number – DL2R-B2-3611X
Other Options - Reference C2 for available materials.

SIZE		DIMENSIONS						WEIGHTS	
		A		B		C*			
in	mm	in	mm	in	mm	in	mm	lbs	kgs
2	50	4-1/8	105	2-3/8	60	1-15/16	49	18	8
2-1/2	65	4-7/8	124	2-5/8	67	2-11/32	60	22	10
3	80	5-3/8	137	2-7/8	73	2-29/32	74	30	14
4	100	6-7/8	175	2-7/8	73	3-53/64	97	44	20
5	125	7-3/4	197	3-3/8	86	4-13/16	122	51	23
6	150	8-3/4	222	3-7/8	98	5-49/64	146	84	38
8	200	11	279	5	127	7-1/2	191	91	41
10	250	13-3/8	340	5-3/4	146	9-7/16	240	156	71
12	300	16-1/8	410	7-1/8	181	11-1/4	286	252	114
14	350	17-3/4	441	7-1/4	184	12-5/8	321	291	132
16	400	20-1/4	514	7-1/2	191	14-11/16	373	464	210
18	450	21-5/8	549	8	203	16-9/16	421	431	195
20	500	23-7/8	606	8-5/8	219	18-7/16	468	501	227
24	600	28-1/4	718	8-3/4	222	21-5/8	549	682	309
30	750	34-3/4	883	12	305	28-7/16	722	1321	599
36	900	41-1/4	1048	14-1/2	368	34-3/8	873	1898	861
42	1050	48	1219	17	432	40-9/16	1030	3236	1468
48	1200	54-1/2	1384	20-5/8	524	44-3/16	1122	4899	2222

*Minimum companion flange bore.

Available with thru-hole bolting or threaded bolt holes.

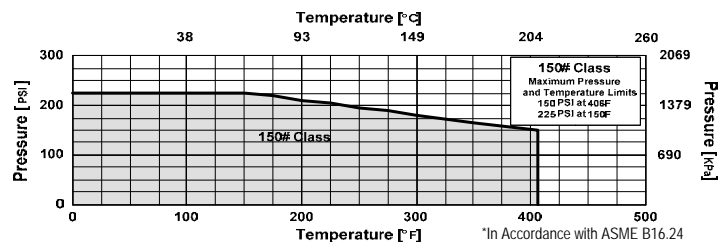
Seat Material	Operating Temperature**	
	°F	°C
Buna-N	-20 to 250	-29 to 121
Viton	-20 to 400	-29 to 204
EPDM	-40 to 300	-40 to 149

**Subject to limitations of body material.

Applicable Standards	
• Design ASME B16.24	• MSS SP - 6
• Testing API 598	• MSS SP - 25
• Conforms to API 594 & 6D	• MSS SP - 55

FLOW COEFFICIENTS

Size	2"	2-1/2"	3"	4"	5"	6"
C _v	48	98	170	290	495	720
Size	8"	10"	12"	14"	16"	18"
C _v	1800	2600	4300	5500	7200	9400
Size	20"	24"	30"	36"	42"	48"
C _v	12600	19000	37500	60000	89000	124000

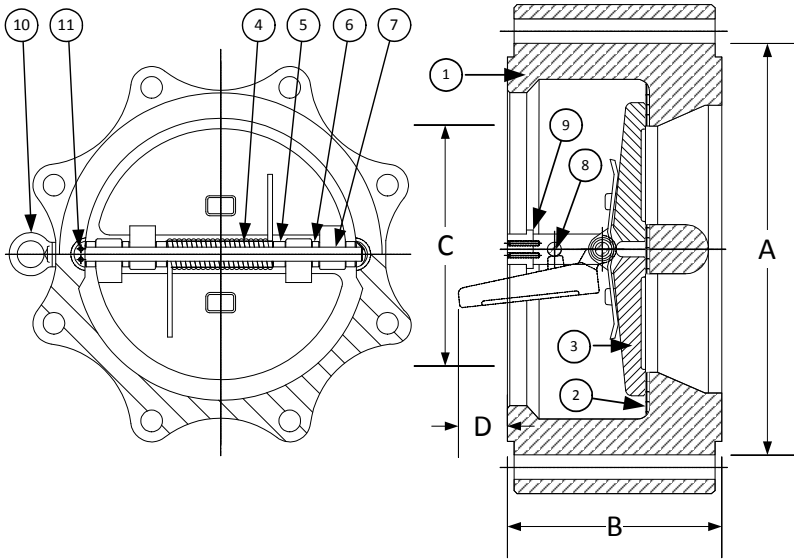




TECHNICAL DATA
DIMENSIONS AND WEIGHTS

Style DL

**Retainerless Wafer Lug Body
Double Disc Check Valve, 300 lb.
Bronze (ASTM B 62, C83600)**



PARTS LIST		
ITEM	DESCRIPTION	MATERIAL
1	Body	Bronze (ASTM B 62, 83600)
2	Seat	Buna-N O-Ring
3	Disc	Stainless Steel (ASTM A 351, Grade CF8M)
4	Spring	Inconel X-750
5	Spring Plate	Stainless Steel (ASTM A 182, Grade F-316)
6	Thrust Washer	Stainless Steel (ASTM A 182, Grade F-316)
7	Hinge Pin	Stainless Steel (ASTM A 182, Grade F-316)
8	Stop Pin	Stainless Steel (ASTM A 182, Grade F-316)
9	Locating Piece	Stainless Steel (ASTM A 182, Grade F-316)
10	Lifting Lug	Carbon Steel
11	Screw	Stainless Steel (316)

Above "Standard" Product Number – DL4R-B2-361IX
Other Options - Reference C2 for available materials.

SIZE		DIMENSIONS						WEIGHTS	
		A		B		C*			
in	mm	in	mm	in	mm	in	mm	lbs	kgs
2	50	4-3/8	111	2-3/8	60	1-15/16	49	18	8
2-1/2	65	5-1/8	130	2-5/8	67	2-11/32	60	22	10
3	80	5-7/8	149	2-7/8	73	2-29/32	74	30	14
4	100	7-1/8	181	2-7/8	73	3-53/64	97	44	20
5	125	8-1/2	216	3-3/8	86	4-13/16	122	51	23
6	150	9-7/8	251	3-7/8	98	5-49/64	146	84	38
8	200	12-1/8	308	5	127	7-5/8	194	163	74
10	250	14-1/4	362	5-3/4	146	9-9/16	243	270	123
12	300	16-5/8	422	7-1/8	181	11-1/4	286	361	164
14	350	19-1/8	486	8-3/4	222	12-7/16	316	543	246
16	400	21-1/4	540	9-1/8	232	14-1/2	368	792	359
18	450	23-1/2	597	10-3/8	264	16-3/8	416	790	358
20	500	25-3/4	654	11-1/2	292	18-1/16	459	780	354
24	600	30-1/2	775	12-1/2	318	20-11/16	525	1011	459
30	750	37-1/2	953	14-1/2	368	27-5/8	702	1974	895
36	900	44	1118	19	483	33-1/2	851	3926	1781
42	1050	45-7/8	1165	22-3/8	568	39-1/2	1003	4830	2191
48	1200	52-1/2	1334	24-3/4	629	42-1/4	1073	6653	3018

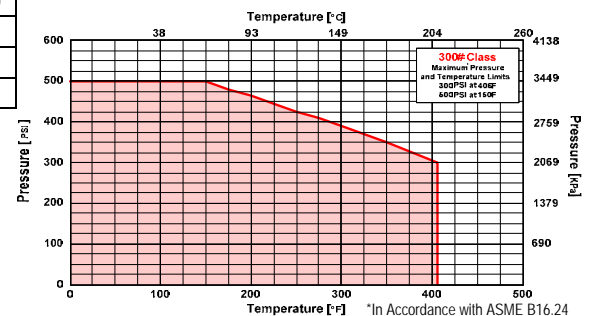
*Minimum companion flange bore.

Available with thru-hole bolting or threaded bolt holes.

Seat Material	Operating Temperature**	
	°F	°C
Buna-N	-20 to 250	-29 to 121
Viton	-20 to 400	-29 to 204
EPDM	-40 to 300	-40 to 149

**Subject to limitations of body material.

Applicable Standards
• Design ASME B16.24
• Testing API 598
• Conforms to API 594 & 6D
• MSS SP – 6
• MSS SP – 25
• MSS SP – 55



FLOW COEFFICIENTS

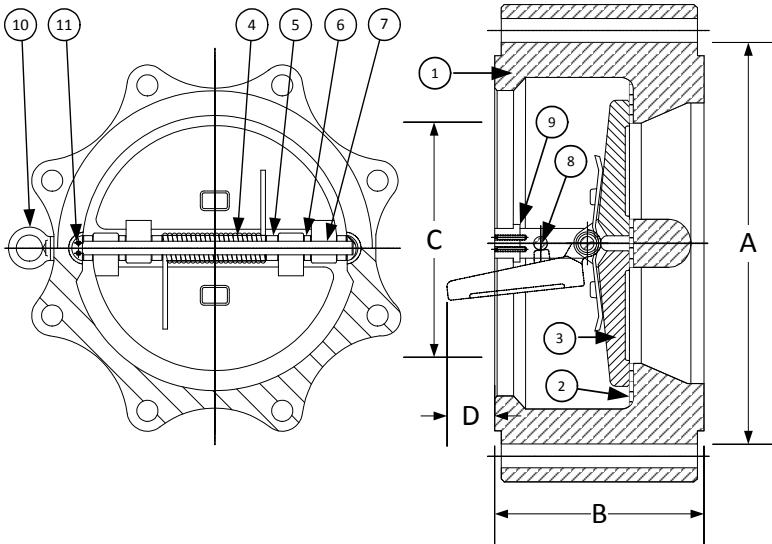
Size	2"	2-1/2"	3"	4"	5"	6"
C _v	48	98	170	290	495	720
Size	8"	10"	12"	14"	16"	18"
C _v	1800	2600	4300	5500	7200	9400
Size	20"	24"	30"	36"	42"	48"
C _v	12600	19000	37500	60000	89000	124000



TECHNICAL DATA
DIMENSIONS AND WEIGHTS

Style DL

**Retainerless Wafer Lug Body
Double Disc Check Valve, 150 lb.
Nickel Aluminum Bronze (ASTM B 148, C95800)**



PARTS LIST

ITEM	DESCRIPTION	MATERIAL
1	Body	Nickel Aluminum Bronze (ASTM B 148, C95800)
2	Seat	Buna-N O-Ring
3	Disc	Stainless Steel (ASTM A 351, Grade CF8M)
4	Spring	Inconel X-750
5	Spring Plate	Stainless Steel (ASTM A 182, Grade F-316)
6	Thrust Washer	Stainless Steel (ASTM A 182, Grade F-316)
7	Hinge Pin	Stainless Steel (ASTM A 182, Grade F-316)
8	Stop Pin	Stainless Steel (ASTM A 182, Grade F-316)
9	Locating Piece	Stainless Steel (ASTM A 182, Grade F-316)
10	Lifting Lug	Carbon Steel
11	Screw	Stainless Steel (316)

Above "Standard" Product Number - **DL2R-NA-3611X**
Other Options - Reference **C2** for available materials.

SIZE		DIMENSIONS						WEIGHTS	
		A		B		C*			
in	mm	in	mm	in	mm	in	mm	lbs	kgs
2	50	4-1/8	105	2-3/8	60	1-15/16	49	18	8
2-1/2	65	4-7/8	124	2-5/8	67	2-11/32	60	22	10
3	80	5-3/8	137	2-7/8	73	2-29/32	74	30	14
4	100	6-7/8	175	2-7/8	73	3-53/64	97	44	20
5	125	7-3/4	197	3-3/8	86	4-13/16	122	51	23
6	150	8-3/4	222	3-7/8	98	5-49/64	146	84	38
8	200	11	279	5	127	7-1/2	191	91	41
10	250	13-3/8	340	5-3/4	146	9-7/16	240	156	71
12	300	16-1/8	410	7-1/8	181	11-1/4	286	252	114
14	350	17-3/4	441	7-1/4	184	12-5/8	321	291	132
16	400	20-1/4	514	7-1/2	191	14-11/16	373	464	210
18	450	21-5/8	549	8	203	16-9/16	421	431	195
20	500	23-7/8	606	8-5/8	219	18-7/16	468	501	227
24	600	28-1/4	718	8-3/4	222	21-5/8	549	682	309
30	750	34-3/4	883	12	305	28-7/16	722	1321	599
36	900	41-1/4	1048	14-1/2	368	34-3/8	873	1898	861
42	1050	48	1219	17	432	40-9/16	1030	3236	1468
48	1200	54-1/2	1384	20-5/8	524	44-3/16	1122	4899	2222

*Minimum companion flange bore.

Available with thru-hole bolting or threaded bolt holes.

Seat Material	Operating Temperature**	
	°F	°C
Buna-N	-20 to 250	-29 to 121
Viton	-20 to 400	-29 to 204
EPDM	-40 to 300	-40 to 149

**Subject to limitations of body material.

Applicable Standards	
• Design ASME B16.24	• MSS SP - 6
• Testing API 598	• MSS SP - 25
• Conforms to API 594 & 6D	• MSS SP - 55

FLOW COEFFICIENTS

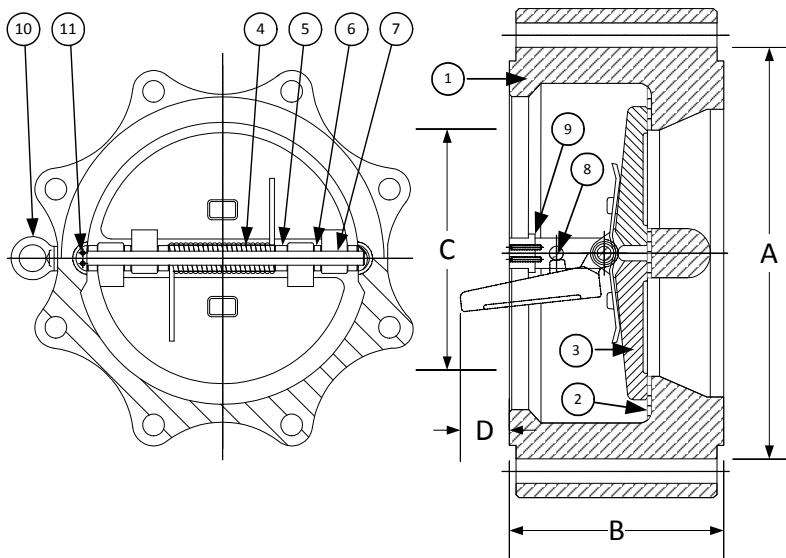
Size	2"	2-1/2"	3"	4"	5"	6"
C _v	48	98	170	290	495	720
Size	8"	10"	12"	14"	16"	18"
C _v	1800	2600	4300	5500	7200	9400
Size	20"	24"	30"	36"	42"	48"
C _v	12600	19000	37500	60000	89000	124000



TECHNICAL DATA
DIMENSIONS AND WEIGHTS

Style DL

**Retainerless Wafer Lug Body
Double Disc Check Valve, 300 lb.
Nickel Aluminum Bronze (ASTM B 148, C95800)**



PARTS LIST		
ITEM	DESCRIPTION	MATERIAL
1	Body	Nickel Aluminum Bronze (ASTM B 148, 95800)
2	Seat	Buna-N O-Ring
3	Disc	Stainless Steel (ASTM A 351, Grade CF8M)
4	Spring	Inconel X-750
5	Spring Plate	Stainless Steel (ASTM A 182, Grade F-316)
6	Thrust Washer	Stainless Steel (ASTM A 182, Grade F-316)
7	Hinge Pin	Stainless Steel (ASTM A 182, Grade F-316)
8	Stop Pin	Stainless Steel (ASTM A 182, Grade F-316)
9	Locating Piece	Stainless Steel (ASTM A 182, Grade F-316)
10	Lifting Lug	Carbon Steel
11	Screw	Stainless Steel (316)

Above "Standard" Product Number - DL4R-NA-361IX
Other Options - Reference C2 for available materials.

SIZE		DIMENSIONS						WEIGHTS	
		A		B		C*			
in	mm	in	mm	in	mm	in	mm	lbs	kgs
2	50	4-3/8	111	2-3/8	60	1-15/16	49	18	8
2-1/2	65	5-1/8	130	2-5/8	67	2-11/32	60	22	10
3	80	5-7/8	149	2-7/8	73	2-29/32	74	30	14
4	100	7-1/8	181	2-7/8	73	3-53/64	97	44	20
5	125	8-1/2	216	3-3/8	86	4-13/16	122	51	23
6	150	9-7/8	251	3-7/8	98	5-49/64	146	84	38
8	200	12-1/8	308	5	127	7-5/8	194	163	74
10	250	14-1/4	362	5-3/4	146	9-9/16	243	270	123
12	300	16-5/8	422	7-1/8	181	11-1/4	286	361	164
14	350	19-1/8	486	8-3/4	222	12-7/16	316	543	246
16	400	21-1/4	540	9-1/8	232	14-1/2	368	792	359
18	450	23-1/2	597	10-3/8	264	16-3/8	416	790	358
20	500	25-3/4	654	11-1/2	292	18-1/16	459	780	354
24	600	30-1/2	775	12-1/2	318	20-11/16	525	1011	459
30	750	37-1/2	953	14-1/2	368	27-5/8	702	1974	895
36	900	44	1118	19	483	33-1/2	851	3926	1781
42	1050	45-7/8	1165	22-3/8	568	39-1/2	1003	4830	2191
48	1200	52-1/2	1334	24-3/4	629	42-1/4	1073	6653	3018

*Minimum companion flange bore.

Available with thru-hole bolting or threaded bolt holes.

Seat Material	Operating Temperature**	
	°F	°C
Buna-N	-20 to 250	-29 to 121
Viton	-20 to 400	-29 to 204
EPDM	-40 to 300	-40 to 149

**Subject to limitations of body material.

Applicable Standards
• Design ASME B16.24
• Testing API 598
• Conforms to API 594 & 6D
• MSS SP - 6
• MSS SP - 25
• MSS SP - 55

FLOW COEFFICIENTS

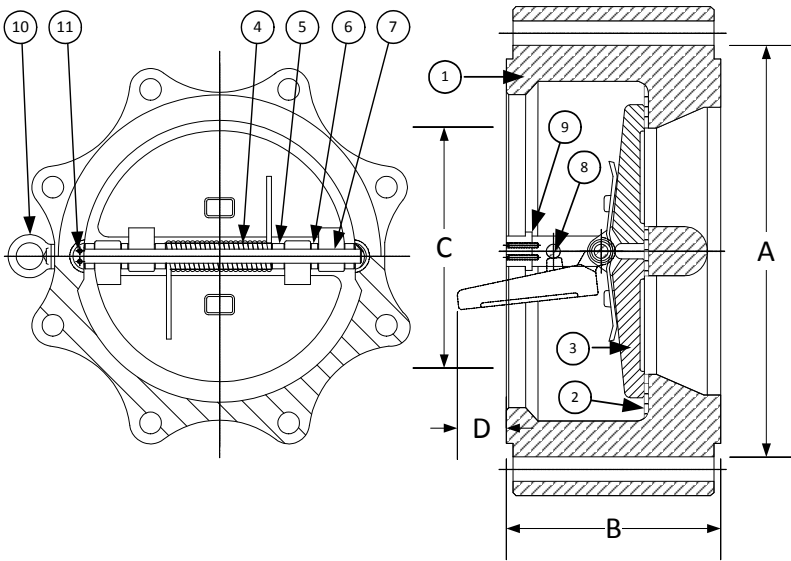
Size	2"	2-1/2"	3"	4"	5"	6"
C _v	48	98	170	290	495	720
Size	8"	10"	12"	14"	16"	18"
C _v	1800	2600	4300	5500	7200	9400
Size	20"	24"	30"	36"	42"	48"
C _v	12600	19000	37500	60000	89000	124000



TECHNICAL DATA
DIMENSIONS AND WEIGHTS

Style DL

**Retainerless Wafer Lug Body
Double Disc Check Valve, 150 lb.
Carbon Steel (ASTM A 216, Grade WCB)**



PARTS LIST

ITEM	DESCRIPTION	MATERIAL
1	Body	Carbon Steel (ASTM A 216, Grade WCB)
2	Seat	Buna-N O-Ring
3	Disc	Stainless Steel (ASTM A 351, Grade CF8M)
4	Spring	Inconel X-750
5	Spring Plate	Stainless Steel (ASTM A 182, Grade F-316)
6	Thrust Washer	Stainless Steel (ASTM A 182, Grade F-316)
7	Hinge Pin	Stainless Steel (ASTM A 182, Grade F-316)
8	Stop Pin	Stainless Steel (ASTM A 182, Grade F-316)
9	Locating Piece	Stainless Steel (ASTM A 182, Grade F-316)
10	Lifting Lug	Carbon Steel
11	Screw	Stainless Steel (316)

Above "Standard" Product Number – DL2R-CS-3611X
Other Options - Reference C2 for available materials.

SIZE		DIMENSIONS						WEIGHTS	
		A		B		C*			
in	mm	in	mm	in	mm	in	mm	lbs	kgs
2	50	4-1/8	105	2-3/8	60	1-15/16	49	18	8
2-1/2	65	4-7/8	124	2-5/8	67	2-11/32	60	22	10
3	80	5-3/8	137	2-7/8	73	2-29/32	74	30	14
4	100	6-7/8	175	2-7/8	73	3-53/64	97	44	20
5	125	7-3/4	197	3-3/8	86	4-13/16	122	51	23
6	150	8-3/4	222	3-7/8	98	5-49/64	146	84	38
8	200	11	279	5	127	7-1/2	191	91	41
10	250	13-3/8	340	5-3/4	146	9-7/16	240	156	71
12	300	16-1/8	410	7-1/8	181	11-1/4	286	252	114
14	350	17-3/4	441	7-1/4	184	12-5/8	321	291	132
16	400	20-1/4	514	7-1/2	191	14-11/16	373	464	210
18	450	21-5/8	549	8	203	16-9/16	421	431	195
20	500	23-7/8	606	8-5/8	219	18-7/16	468	501	227
24	600	28-1/4	718	8-3/4	222	21-5/8	549	682	309
30	750	34-3/4	883	12	305	28-7/16	722	1321	599
36	900	41-1/4	1048	14-1/2	368	34-3/8	873	1898	861
42	1050	48	1219	17	432	40-9/16	1030	3236	1468
48	1200	54-1/2	1384	20-5/8	524	44-3/16	1122	4899	2222

*Minimum companion flange bore.

Available with thru-hole bolting or threaded bolt holes.

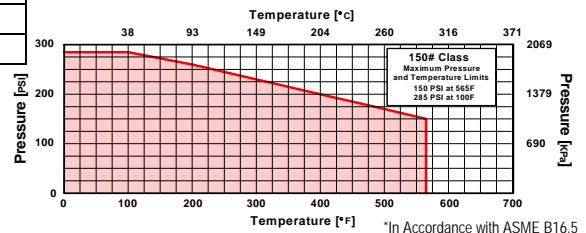
Seat Material	Operating Temperature**	
	°F	°C
Buna-N	-20 to 250	-29 to 121
Viton	-20 to 400	-29 to 204
EPDM	-40 to 300	-40 to 149

**Subject to limitations of body material.

Applicable Standards
• Design ASME B16.5
• Design ASME B16.34
• Testing API 598
• Conforms to API 594 & 6D
• MSS SP - 6
• MSS SP - 25
• MSS SP - 55

FLOW COEFFICIENTS

Size	2"	2-1/2"	3"	4"	5"	6"
C _v	48	98	170	290	495	720
Size	8"	10"	12"	14"	16"	18"
C _v	1800	2600	4300	5500	7200	9400
Size	20"	24"	30"	36"	42"	48"
C _v	12600	19000	37500	60000	89000	124000

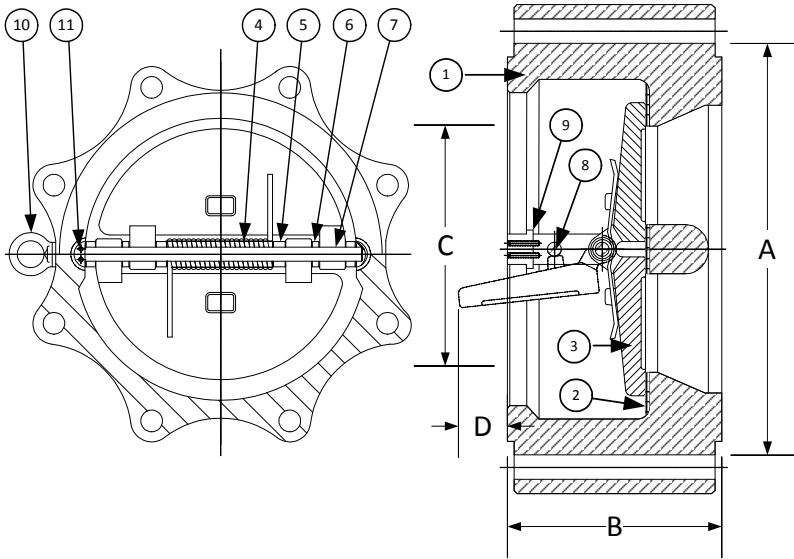




TECHNICAL DATA
DIMENSIONS AND WEIGHTS

Style DL

**Retainerless Wafer Lug Body
Double Disc Check Valve, 300 lb.
Carbon Steel (ASTM A 216, Grade WCB)**



PARTS LIST		
ITEM	DESCRIPTION	MATERIAL
1	Body	Carbon Steel (ASTM A 216, Grade WCB)
2	Seat	Buna-N O-Ring
3	Disc	Stainless Steel (ASTM A 351, Grade CF8M)
4	Spring	Inconel X-750
5	Spring Plate	Stainless Steel (ASTM A 182, Grade F-316)
6	Thrust Washer	Stainless Steel (ASTM A 182, Grade F-316)
7	Hinge Pin	Stainless Steel (ASTM A 182, Grade F-316)
8	Stop Pin	Stainless Steel (ASTM A 182, Grade F-316)
9	Locating Piece	Stainless Steel (ASTM A 182, Grade F-316)
10	Lifting Lug	Carbon Steel
11	Screw	Stainless Steel (316)

Above "Standard" Product Number – DL4R-CS-361IX
Other Options - Reference C2 for available materials.

SIZE		DIMENSIONS						WEIGHTS	
		A		B		C*			
in	mm	in	mm	in	mm	in	mm	lbs	kgs
2	50	4-3/8	111	2-3/8	60	1-15/16	49	18	8
2-1/2	65	5-1/8	130	2-5/8	67	2-11/32	60	22	10
3	80	5-7/8	149	2-7/8	73	2-29/32	74	30	14
4	100	7-1/8	181	2-7/8	73	3-53/64	97	44	20
5	125	8-1/2	216	3-3/8	86	4-13/16	122	51	23
6	150	9-7/8	251	3-7/8	98	5-49/64	146	84	38
8	200	12-1/8	308	5	127	7-5/8	194	163	74
10	250	14-1/4	362	5-3/4	146	9-9/16	243	270	123
12	300	16-5/8	422	7-1/8	181	11-1/4	286	361	164
14	350	19-1/8	486	8-3/4	222	12-7/16	316	543	246
16	400	21-1/4	540	9-1/8	232	14-1/2	368	792	359
18	450	23-1/2	597	10-3/8	264	16-3/8	416	790	358
20	500	25-3/4	654	11-1/2	292	18-1/16	459	780	354
24	600	30-1/2	775	12-1/2	318	20-11/16	525	1011	459
30	750	37-1/2	953	14-1/2	368	27-5/8	702	1974	895
36	900	44	1118	19	483	33-1/2	851	3926	1781
42	1050	45-7/8	1165	22-3/8	568	39-1/2	1003	4830	2191
48	1200	52-1/2	1334	24-3/4	629	42-1/4	1073	6653	3018

*Minimum companion flange bore.

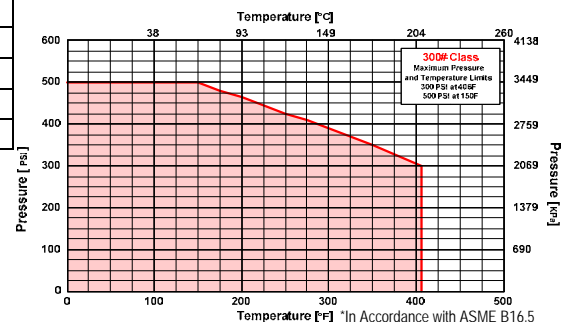
Available with thru-hole bolting or threaded bolt holes.

Seat Material	Operating Temperature**	
	°F	°C
Buna-N	-20 to 250	-29 to 121
Viton	-20 to 400	-29 to 204
EPDM	-40 to 300	-40 to 149

**Subject to limitations of body material.

Applicable Standards
• Design ASME B16.5
• Design ASME B16.34
• Testing API 598
• Conforms to API 594 & 6D
• MSS SP – 6
• MSS SP – 25
• MSS SP – 55

FLOW COEFFICIENTS						
Size	2"	2-1/2"	3"	4"	5"	6"
C _v	48	98	170	290	495	720
Size	8"	10"	12"	14"	16"	18"
C _v	1800	2600	4300	5500	7200	9400
Size	20"	24"	30"	36"	42"	48"
C _v	12600	19000	37500	60000	89000	124000

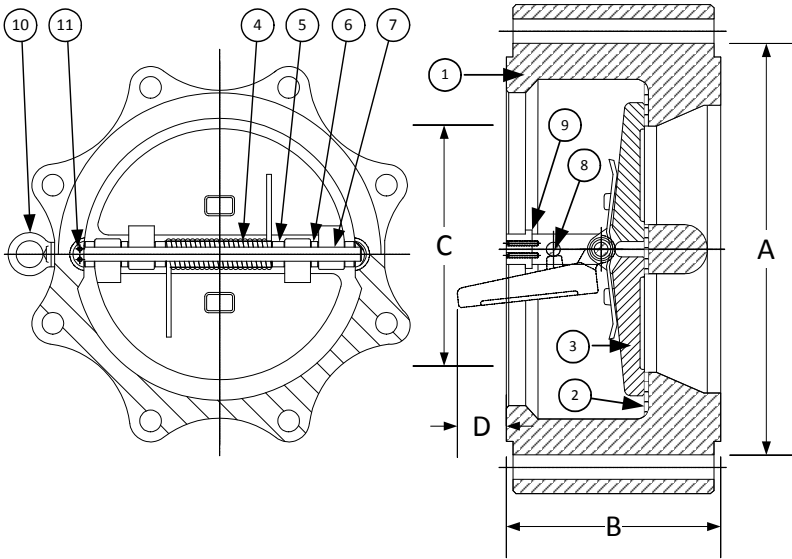




TECHNICAL DATA
DIMENSIONS AND WEIGHTS

Style DL

**Retainerless Wafer Lug Body
Double Disc Check Valve, 600 lb.
Carbon Steel (ASTM A 216, Grade WCB)**



PARTS LIST

ITEM	DESCRIPTION	MATERIAL
1	Body	Carbon Steel (ASTM A 216, Grade WCB)
2	Seat	Buna-N O-Ring
3	Disc	Stainless Steel (ASTM A 351, Grade CF8M)
4	Spring	Inconel X-750
5	Spring Plate	Stainless Steel (ASTM A 182, Grade F-316)
6	Thrust Washer	Stainless Steel (ASTM A 182, Grade F-316)
7	Hinge Pin	Stainless Steel (ASTM A 182, Grade F-316)
8	Stop Pin	Stainless Steel (ASTM A 182, Grade F-316)
9	Locating Piece	Stainless Steel (ASTM A 182, Grade F-316)
10	Lifting Lug	Carbon Steel
11	Screw	Stainless Steel (316)

Above "Standard" Product Number – DL5R-CS-361IX
Other Options - Reference C2 for available materials.

SIZE		DIMENSIONS						WEIGHTS	
		A		B		C*			
in	mm	in	mm	in	mm	in	mm	lbs	kgs
2	50	4-3/8	111	2-3/8	60	1-3/16	30	18	8
2-1/2	65	5-1/8	130	2-5/8	67	2-1/8	54	27	12
3	80	5-7/8	149	2-7/8	73	2-3/16	56	27	12
4	100	7-5/8	194	3-1/8	79	3-5/16	84	51	23
5	125	9-1/2	241	4-1/8	105	4-1/2	114	97	44
6	150	10-1/2	267	5-3/8	137	4-3/4	121	151	68
8	200	12-5/8	321	6-1/2	165	6-25/32	172	261	118
10	250	15-3/4	400	8-3/8	213	8-1/2	216	460	209
12	300	18	457	9	229	10-9/16	268	587	266
14	350	19-3/8	492	10-3/4	273	11-15/16	303	817	371
16	400	22-1/4	565	12	305	13-1/2	343	1058	480
18	450	24-1/8	613	14-1/4	362	13-3/4	349	1011	459
20	500	26-7/8	683	14-1/2	368	16-15/16	430	1279	580
24	600	31-1/8	791	17-1/4	438	20-1/2	521	1851	840
30	750	38-1/4	972	19-7/8	505	26-1/2	673	2987	1355
36	900	44	1118	25	635	30-3/8	772	5364	2433
42	1050	48	1219	27-5/8	702	37-7/16	951	7048	3197

*Minimum companion flange bore.

Available with thru-hole bolting or threaded bolt holes.

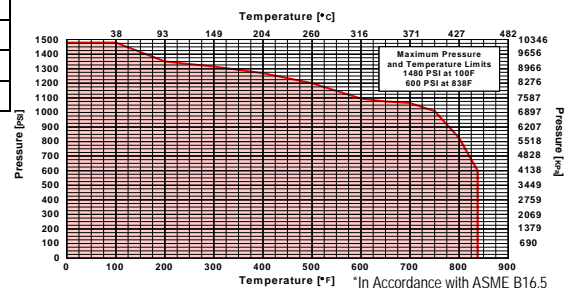
Seat Material	Operating Temperature**	
	°F	°C
Buna-N	-20 to 250	-29 to 121
Viton	-20 to 400	-29 to 204
EPDM	-40 to 300	-40 to 149

**Subject to limitations of body material.

- Applicable Standards**
- Design ASME B16.5
 - Design ASME B16.34
 - Testing API 598
 - Conforms to API 594 & 6D
 - MSS SP - 6
 - MSS SP - 25
 - MSS SP - 55

FLOW COEFFICIENTS

Size	2"	2-1/2"	3"	4"	5"	6"
C _v	48	98	170	290	495	720
Size	8"	10"	12"	14"	16"	18"
C _v	1800	2600	4300	5500	7200	9400
Size	20"	24"	30"	36"	42"	
C _v	12600	19000	37500	60000	89000	

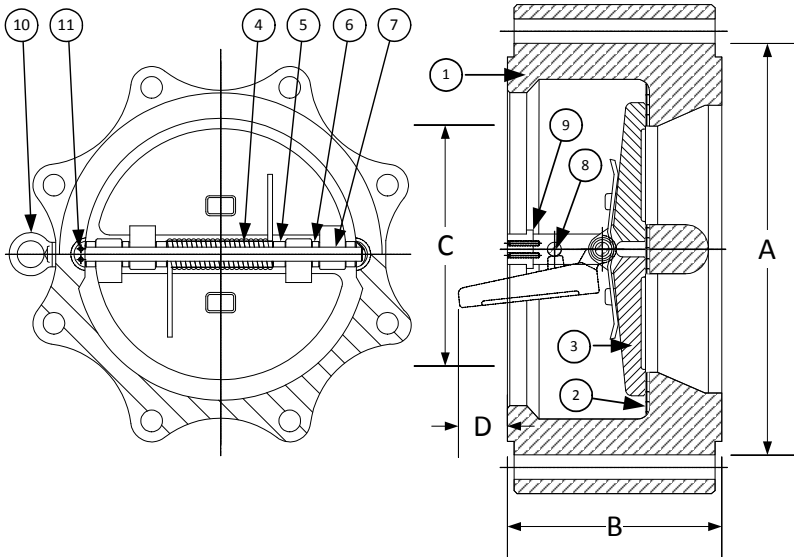




TECHNICAL DATA
DIMENSIONS AND WEIGHTS

Style DL

**Retainerless Wafer Lug Body
Double Disc Check Valve, 900 lb.
Carbon Steel (ASTM A 216, Grade WCB)**



PARTS LIST		
ITEM	DESCRIPTION	MATERIAL
1	Body	Carbon Steel (ASTM A 216, Grade WCB)
2	Seat	Buna-N O-Ring
3	Disc	Stainless Steel (ASTM A 351, Grade CF8M)
4	Spring	Inconel X-750
5	Spring Plate	Stainless Steel (ASTM A 182, Grade F-316)
6	Thrust Washer	Stainless Steel (ASTM A 182, Grade F-316)
7	Hinge Pin	Stainless Steel (ASTM A 182, Grade F-316)
8	Stop Pin	Stainless Steel (ASTM A 182, Grade F-316)
9	Locating Piece	Stainless Steel (ASTM A 182, Grade F-316)
10	Lifting Lug	Carbon Steel
11	Screw	Stainless Steel (316)

Above "Standard" Product Number – DL6R-CS-361IX
Other Options - Reference C2 for available materials.

SIZE		DIMENSIONS						WEIGHTS	
		A		B		C*			
in	mm	in	mm	in	mm	in	mm	lbs	kgs
2	50	5-5/8	143	2-3/4	70	-	-	26	12
2-1/2	65	6-1/2	165	3-1/4	83	2	51	40	18
3	80	6-5/8	168	3-1/4	83	2-1/8	54	44	20
4	100	8-1/8	206	4	102	3-1/16	78	68	31
6	150	11-3/8	289	6-1/4	159	3-5/8	92	240	109
8	200	14-1/8	359	8-1/8	206	6-1/2	165	443	201
10	250	17-1/8	435	9-1/2	241	8-3/16	208	661	300
12	300	19-5/8	498	11-1/2	292	9-3/4	248	981	445
14	350	20-1/2	521	14	356	8-15/16	227	1241	563
16	400	22-5/8	575	15-1/8	384	11-7/32	285	2074	941
18	450	25-1/8	638	17-3/4	451	13-15/16	354	1418	643
20	500	27-1/2	699	17-3/4	451	17-1/16	433	1892	858
24	600	33	838	19-1/2	495	20-15/32	520	2786	1264

*Minimum companion flange bore.

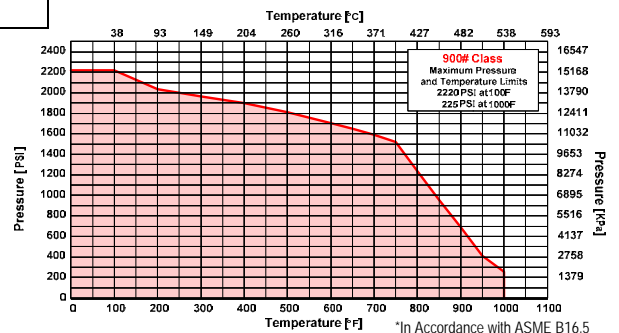
Available with thru-hole bolting or threaded bolt holes.

Seat Material	Operating Temperature**	
	°F	°C
Buna-N	-20 to 250	-29 to 121
Viton	-20 to 400	-29 to 204
EPDM	-40 to 300	-40 to 149

**Subject to limitations of body material.

Applicable Standards
• Design ASME B16.5
• Design ASME B16.34
• Testing API 598
• Conforms to API 594 & 6D
• MSS SP – 6
• MSS SP – 25
• MSS SP – 55

FLOW COEFFICIENTS						
Size	2"	2-1/2"	3"	4"	5"	6"
C _v	48	98	170	290	495	720
Size	8"	10"	12"	14"	16"	18"
C _v	1800	2600	4300	5500	7200	9400
Size	20"	24"				
C _v	12600	19000				

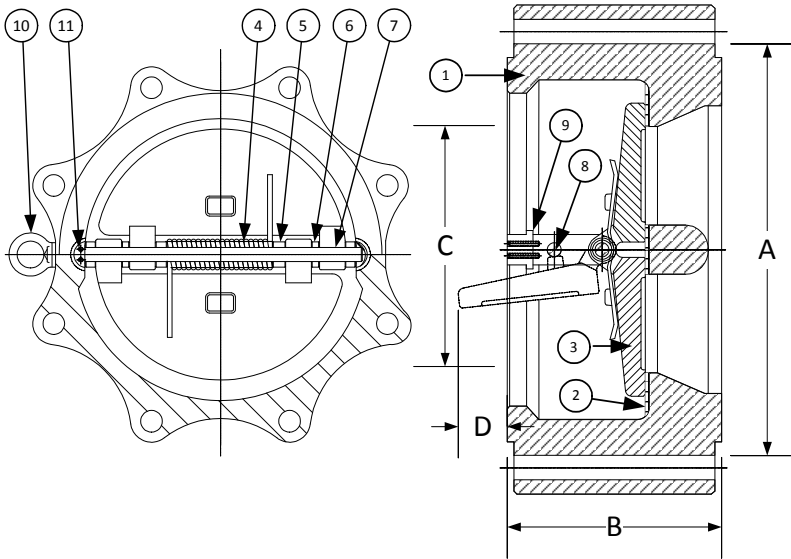




TECHNICAL DATA
DIMENSIONS AND WEIGHTS

Style DL

**Retainerless Wafer Lug Body
Double Disc Check Valve, 1500 lb.
Carbon Steel (ASTM A 216, Grade WCB)**



PARTS LIST		
ITEM	DESCRIPTION	MATERIAL
1	Body	Carbon Steel (ASTM A 216, Grade WCB)
2	Seat	Buna-N O-Ring
3	Disc	Stainless Steel (ASTM A 351, Grade CF8M)
4	Spring	Inconel X-750
5	Spring Plate	Stainless Steel (ASTM A 182, Grade F-316)
6	Thrust Washer	Stainless Steel (ASTM A 182, Grade F-316)
7	Hinge Pin	Stainless Steel (ASTM A 182, Grade F-316)
8	Stop Pin	Stainless Steel (ASTM A 182, Grade F-316)
9	Locating Piece	Stainless Steel (ASTM A 182, Grade F-316)
10	Lifting Lug	Carbon Steel
11	Screw	Stainless Steel (316)

Above "Standard" Product Number – DL7R-CS-3611X
Other Options - Reference C2 for available materials.

SIZE		DIMENSIONS						WEIGHTS	
		A		B		C*			
in	mm	in	mm	in	mm	in	mm	lbs	kgs
2	50	5-5/8	143	2-3/4	70	1-11/16	43	37	17
3	80	6-7/8	175	3-1/4	83	2-5/8	67	70	32
4	100	8-1/4	210	4	102	3-7/16	87	112	51
6	150	11-1/8	283	6-1/4	159	5-3/16	132	262	119
8	200	13-7/8	352	8-1/8	206	6-13/16	173	488	221
10	250	17-1/8	435	9-3/4	248	8-1/2	216	917	416
12	300	20-1/2	521	12	305	10-1/8	257	1425	646
14	350	22-3/4	578	14	356	11-1/2	292	245	928
16	400	25-1/4	641	15-1/8	384	12-13/16	325	2600	1179
18	450	27-3/4	705	18-7/16	468	13-3/4	349	3883	1761
20	500	29-3/4	756	21	533	14-3/4	348	5700	2580
24	600	35-1/2	902	22	559	15-1/8	384	7150	3236

*Minimum companion flange bore.
Available with thru-hole bolting or threaded bolt holes.

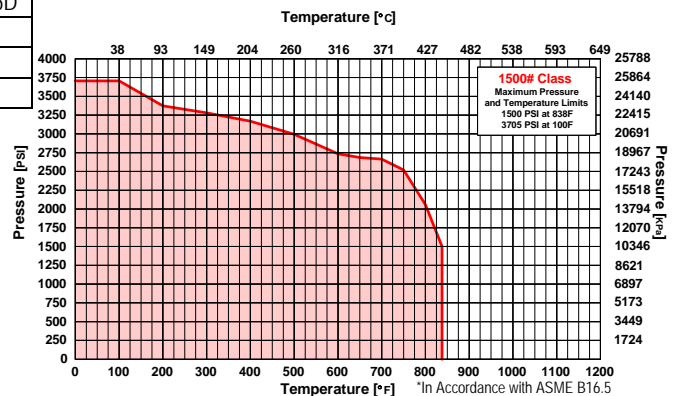
Sizes 30" and larger fit Series A flanges.

Seat Material	Operating Temperature**	
	°F	°C
Buna-N	-20 to 250	-29 to 121
Viton	-20 to 400	-29 to 204
EPDM	-40 to 300	-40 to 149

**Subject to limitations of body material.

Applicable Standards
• Design ASME B16.5
• Design ASME B16.34
• Testing API 598
• Conforms to API 594 & 6D
• MSS SP – 6
• MSS SP – 25
• MSS SP – 55

FLOW COEFFICIENTS						
Size	2"	2½"	3"	4"	5"	6"
C _v	48	98	170	290	495	720
Size	8"	10"	12"	14"	16"	18"
C _v	1800	2600	4300	5500	7200	9400
Size	20"	24"				
C _v	12600	19000				

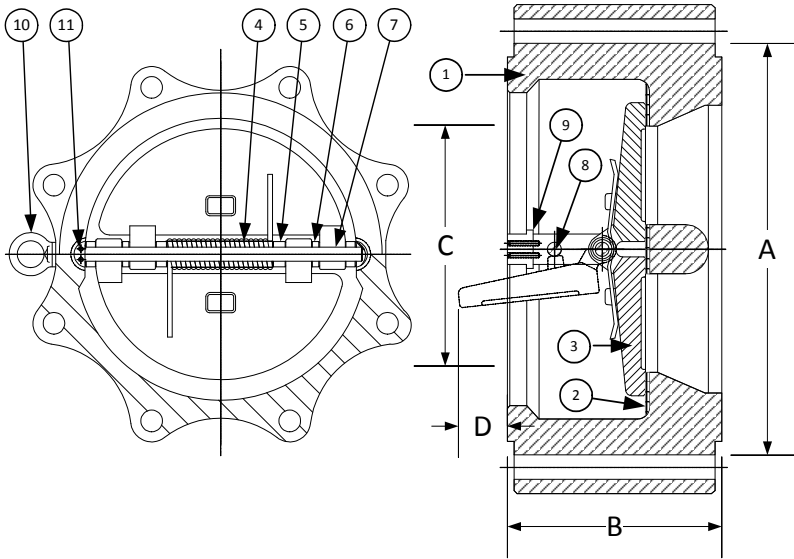




TECHNICAL DATA
DIMENSIONS AND WEIGHTS

Style DL

**Retainerless Wafer Lug Body
Double Disc Check Valve, 150 lb.
Stainless Steel (ASTM A 351, Grade CF8M)**



PARTS LIST		
ITEM	DESCRIPTION	MATERIAL
1	Body	Stainless Steel (ASTM A 351, Grade CF8M)
2	Seat	Viton O-Ring
3	Disc	Stainless Steel (ASTM A 351, Grade CF8M)
4	Spring	Inconel X-750
5	Spring Plate	Stainless Steel (ASTM A 182, Grade F-316)
6	Thrust Washer	Stainless Steel (ASTM A 182, Grade F-316)
7	Hinge Pin	Stainless Steel (ASTM A 182, Grade F-316)
8	Stop Pin	Stainless Steel (ASTM A 182, Grade F-316)
9	Locating Piece	Stainless Steel (ASTM A 182, Grade F-316)
10	Lifting Lug	Carbon Steel
11	Screw	Stainless Steel (316)

Above "Standard" Product Number – DL2R-CS-364IX
Other Options - Reference C2 for available materials.

SIZE		DIMENSIONS						WEIGHTS	
		A		B		C*			
in	mm	in	mm	in	mm	in	mm	lbs	kgs
2	50	4-1/8	105	2-3/8	60	1-15/16	49	18	8
2-1/2	65	4-7/8	124	2-5/8	67	2-11/32	60	22	10
3	80	5-3/8	137	2-7/8	73	2-29/32	74	30	14
4	100	6-7/8	175	2-7/8	73	3-53/64	97	44	20
5	125	7-3/4	197	3-3/8	86	4-13/16	122	51	23
6	150	8-3/4	222	3-7/8	98	5-49/64	146	84	38
8	200	11	279	5	127	7-1/2	191	91	41
10	250	13-3/8	340	5-3/4	146	9-7/16	240	156	71
12	300	16-1/8	410	7-1/8	181	11-1/4	286	252	114
14	350	17-3/4	441	7-1/4	184	12-5/8	321	291	132
16	400	20-1/4	514	7-1/2	191	14-11/16	373	464	210
18	450	21-5/8	549	8	203	16-9/16	421	431	195
20	500	23-7/8	606	8-5/8	219	18-7/16	468	501	227
24	600	28-1/4	718	8-3/4	222	21-5/8	549	682	309
30	750	34-3/4	883	12	305	28-7/16	722	1321	599
36	900	41-1/4	1048	14-1/2	368	34-3/8	873	1898	861
42	1050	48	1219	17	432	40-9/16	1030	3236	1468
48	1200	54-1/2	1384	20-5/8	524	44-3/16	1122	4899	2222

*Minimum companion flange bore.

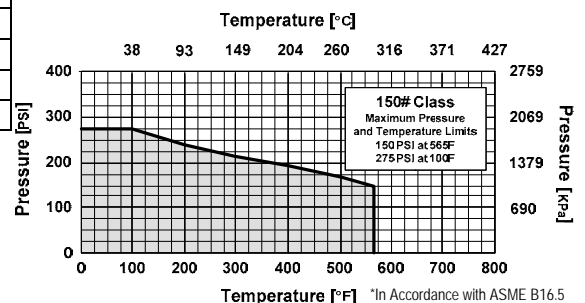
Available with thru-hole bolting or threaded bolt holes.

Seat Material	Operating Temperature**	
	°F	°C
Buna-N	-20 to 250	-29 to 121
Viton	-20 to 400	-29 to 204
EPDM	-40 to 300	-40 to 149

**Subject to limitations of body material.

Applicable Standards
• Design ASME B16.5
• Design ASME B16.34
• Testing API 598
• Conforms to API 594 & 6D
• MSS SP – 6
• MSS SP – 25
• MSS SP – 55

FLOW COEFFICIENTS						
Size	2"	2-1/2"	3"	4"	5"	6"
C _v	48	98	170	290	495	720
Size	8"	10"	12"	14"	16"	18"
C _v	1800	2600	4300	5500	7200	9400
Size	20"	24"	30"	36"	42"	48"
C _v	12600	19000	37500	60000	89000	124000

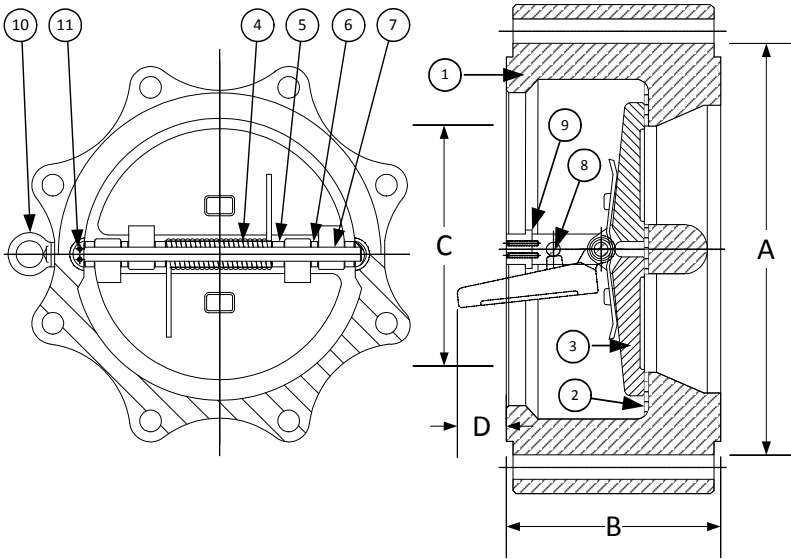




TECHNICAL DATA
DIMENSIONS AND WEIGHTS

Style DL

**Retainerless Wafer Lug Body
Double Disc Check Valve, 300 lb.
Stainless Steel (ASTM A 351, Grade CF8M)**



PARTS LIST

ITEM	DESCRIPTION	MATERIAL
1	Body	Stainless Steel (ASTM A 351, Grade CF8M)
2	Seat	Viton O-Ring
3	Disc	Stainless Steel (ASTM A 351, Grade CF8M)
4	Spring	Inconel X-750
5	Spring Plate	Stainless Steel (ASTM A 182, Grade F-316)
6	Thrust Washer	Stainless Steel (ASTM A 182, Grade F-316)
7	Hinge Pin	Stainless Steel (ASTM A 182, Grade F-316)
8	Stop Pin	Stainless Steel (ASTM A 182, Grade F-316)
9	Locating Piece	Stainless Steel (ASTM A 182, Grade F-316)
10	Lifting Lug	Carbon Steel
11	Screw	Stainless Steel (316)

Above "Standard" Product Number – DL4R-36-364IX
Other Options - Reference C2 for available materials.

SIZE		DIMENSIONS						WEIGHTS	
		A		B		C*			
in	mm	in	mm	in	mm	in	mm	lbs	kgs
2	50	4-3/8	111	2-3/8	60	1-15/16	49	18	8
2-1/2	65	5-1/8	130	2-5/8	67	2-11/32	60	22	10
3	80	5-7/8	149	2-7/8	73	2-29/32	74	30	14
4	100	7-1/8	181	2-7/8	73	3-53/64	97	44	20
5	125	8-1/2	216	3-3/8	86	4-13/16	122	51	23
6	150	9-7/8	251	3-7/8	98	5-49/64	146	84	38
8	200	12-1/8	308	5	127	7-5/8	194	163	74
10	250	14-1/4	362	5-3/4	146	9-9/16	243	270	123
12	300	16-5/8	422	7-1/8	181	11-1/4	286	361	164
14	350	19-1/8	486	8-3/4	222	12-7/16	316	543	246
16	400	21-1/4	540	9-1/8	232	14-1/2	368	792	359
18	450	23-1/2	597	10-3/8	264	16-3/8	416	790	358
20	500	25-3/4	654	11-1/2	292	18-1/16	459	780	354
24	600	30-1/2	775	12-1/2	318	20-11/16	525	1011	459
30	750	37-1/2	953	14-1/2	368	27-5/8	702	1974	895
36	900	44	1118	19	483	33-1/2	851	3926	1781
42	1050	45-7/8	1165	22-3/8	568	39-1/2	1003	4830	2191
48	1200	52-1/2	1334	24-3/4	629	42-1/4	1073	6653	3018

*Minimum companion flange bore.

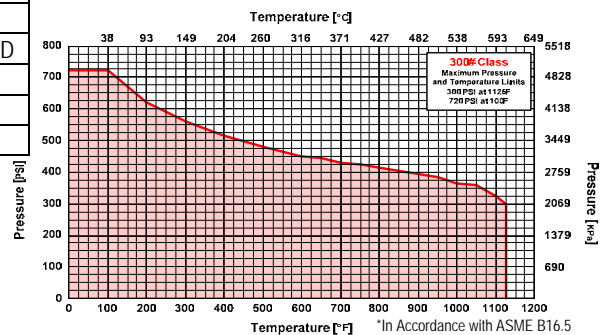
Available with thru-hole bolting or threaded bolt holes.

Seat Material	Operating Temperature**	
	°F	°C
Buna-N	-20 to 250	-29 to 121
Viton	-20 to 400	-29 to 204
EPDM	-40 to 300	-40 to 149

**Subject to limitations of body material.

Applicable Standards
• Design ASME B16.5
• Design ASME B16.34
• Testing API 598
• Conforms to API 594 & 6D
• MSS SP - 6
• MSS SP - 25
• MSS SP - 55

FLOW COEFFICIENTS						
Size	2"	2-1/2"	3"	4"	5"	6"
C _v	48	98	170	290	495	720
Size	8"	10"	12"	14"	16"	18"
C _v	1800	2600	4300	5500	7200	9400
Size	20"	24"	30"	36"	42"	48"
C _v	12600	19000	37500	60000	89000	124000

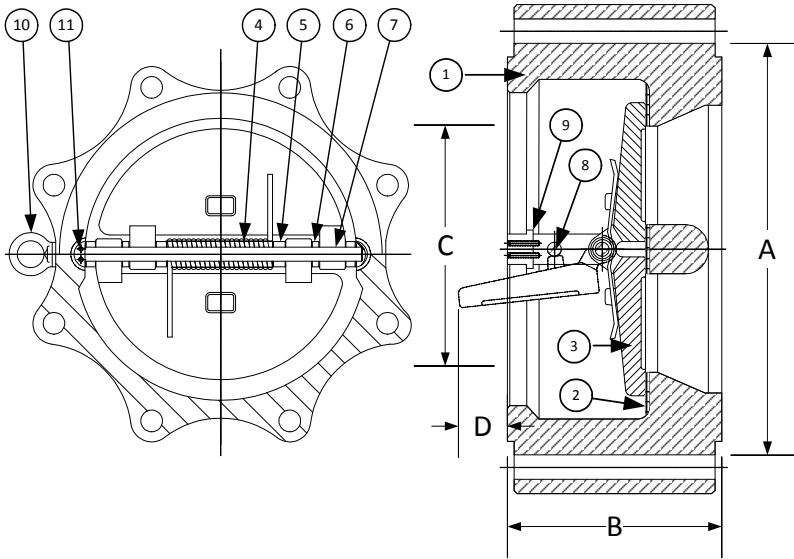




TECHNICAL DATA
DIMENSIONS AND WEIGHTS

Style DL

**Retainerless Wafer Lug Body
Double Disc Check Valve, 600 lb.
Stainless Steel (ASTM A 351, Grade CF8M)**



PARTS LIST

ITEM	DESCRIPTION	MATERIAL
1	Body	Stainless Steel (ASTM A 351, Grade CF8M)
2	Seat	Viton O-Ring
3	Disc	Stainless Steel (ASTM A 351, Grade CF8M)
4	Spring	Inconel X-750
5	Spring Plate	Stainless Steel (ASTM A 182, Grade F-316)
6	Thrust Washer	Stainless Steel (ASTM A 182, Grade F-316)
7	Hinge Pin	Stainless Steel (ASTM A 182, Grade F-316)
8	Stop Pin	Stainless Steel (ASTM A 182, Grade F-316)
9	Locating Piece	Stainless Steel (ASTM A 182, Grade F-316)
10	Lifting Lug	Carbon Steel
11	Screw	Stainless Steel (316)

Above "Standard" Product Number – DL5R-36-364IX
Other Options - Reference C2 for available materials.

SIZE		DIMENSIONS						WEIGHTS	
		A		B		C*			
in	mm	in	mm	in	mm	in	mm	lbs	kgs
2	50	4-3/8	111	2-3/8	60	1-3/16	30	18	8
2-1/2	65	5-1/8	130	2-5/8	67	2-1/8	54	27	12
3	80	5-7/8	149	2-7/8	73	2-3/16	56	27	12
4	100	7-5/8	194	3-1/8	79	3-5/16	84	51	23
5	125	9-1/2	241	4-1/8	105	4-1/2	114	97	44
6	150	10-1/2	267	5-3/8	137	4-3/4	121	151	68
8	200	12-5/8	321	6-1/2	165	6-25/32	172	261	118
10	250	15-3/4	400	8-3/8	213	8-1/2	216	460	209
12	300	18	457	9	229	10-9/16	268	587	266
14	350	19-3/8	492	10-3/4	273	11-15/16	303	817	371
16	400	22-1/4	565	12	305	13-1/2	343	1058	480
18	450	24-1/8	613	14-1/4	362	13-3/4	349	1011	459
20	500	26-7/8	683	14-1/2	368	16-15/16	430	1279	580
24	600	31-1/8	791	17-1/4	438	20-1/2	521	1851	840
30	750	38-1/4	972	19-7/8	505	26-1/2	673	2987	1355
36	900	44	1118	25	635	30-3/8	772	5364	2433
42	1050	48	1219	27-5/8	702	37-7/16	951	7048	3197

*Minimum companion flange bore.

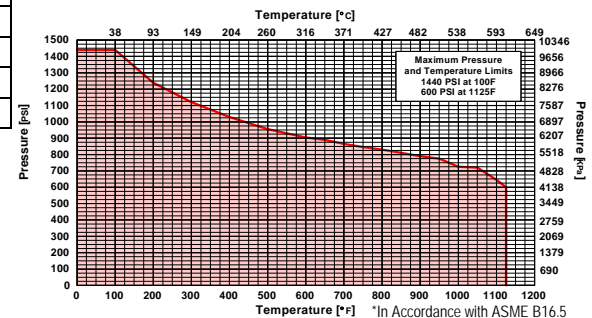
Available with thru-hole bolting or threaded bolt holes.

Seat Material	Operating Temperature**	
	°F	°C
Buna-N	-20 to 250	-29 to 121
Viton	-20 to 400	-29 to 204
EPDM	-40 to 300	-40 to 149

**Subject to limitations of body material.

Applicable Standards
• Design ASME B16.5
• Design ASME B16.34
• Testing API 598
• Conforms to API 594 & 6D
• MSS SP - 6
• MSS SP - 25
• MSS SP - 55

FLOW COEFFICIENTS						
Size	2"	2-1/2"	3"	4"	5"	6"
C _v	48	98	170	290	495	720
Size	8"	10"	12"	14"	16"	18"
C _v	1800	2600	4300	5500	7200	9400
Size	20"	24"	30"	36"	42"	
C _v	12600	19000	37500	60000	89000	

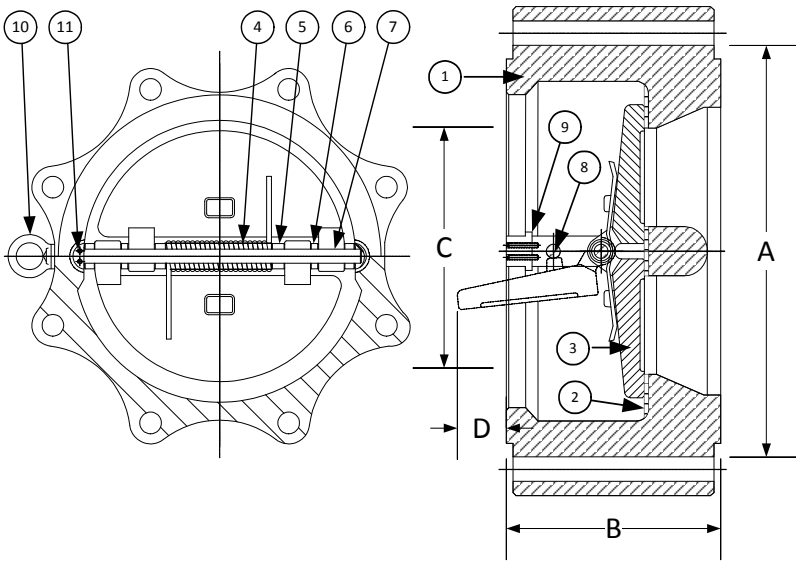




TECHNICAL DATA
DIMENSIONS AND WEIGHTS

Style DL

**Retainerless Wafer Lug Body
Double Disc Check Valve, 900 lb.
Stainless Steel (ASTM A 351, Grade CF8M)**



PARTS LIST		
ITEM	DESCRIPTION	MATERIAL
1	Body	Stainless Steel (ASTM A 351, Grade CF8M)
2	Seat	Viton O-Ring
3	Disc	Stainless Steel (ASTM A 351, Grade CF8M)
4	Spring	Inconel X-750
5	Spring Plate	Stainless Steel (ASTM A 182, Grade F-316)
6	Thrust Washer	Stainless Steel (ASTM A 182, Grade F-316)
7	Hinge Pin	Stainless Steel (ASTM A 182, Grade F-316)
8	Stop Pin	Stainless Steel (ASTM A 182, Grade F-316)
9	Locating Piece	Stainless Steel (ASTM A 182, Grade F-316)
10	Lifting Lug	Carbon Steel
11	Screw	Stainless Steel (316)

Above "Standard" Product Number – DL6R-36-364IX
Other Options - Reference C2 for available materials.

SIZE		DIMENSIONS						WEIGHTS	
		A		B		C*			
in	mm	in	mm	in	mm	in	mm	lbs	kgs
2	50	5-5/8	143	2-3/4	70	-	-	26	12
2-1/2	65	6-1/2	165	3-1/4	83	2	51	40	18
3	80	6-5/8	168	3-1/4	83	2-1/8	54	44	20
4	100	8-1/8	206	4	102	3-1/16	78	68	31
6	150	11-3/8	289	6-1/4	159	3-5/8	92	240	109
8	200	14-1/8	359	8-1/8	206	6-1/2	165	443	201
10	250	17-1/8	435	9-1/2	241	8-3/16	208	661	300
12	300	19-5/8	498	11-1/2	292	9-3/4	248	981	445
14	350	20-1/2	521	14	356	8-15/16	227	1241	563
16	400	22-5/8	575	15-1/8	384	11-7/32	285	2074	941
18	450	25-1/8	638	17-3/4	451	13-15/16	354	1418	643
20	500	27-1/2	699	17-3/4	451	17-1/16	433	1892	858
24	600	33	838	19-1/2	495	20-15/32	520	2786	1264

*Minimum companion flange bore.

Available with thru-hole bolting or threaded bolt holes.

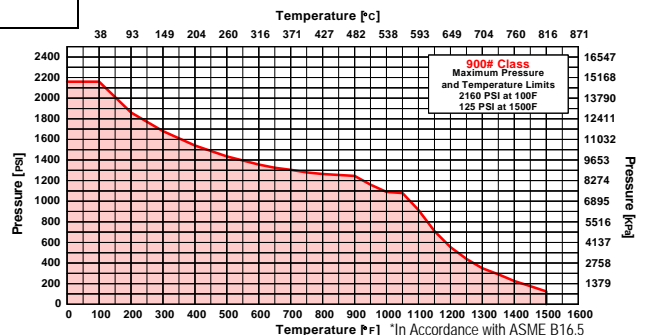
Seat Material	Operating Temperature**	
	°F	°C
Buna-N	-20 to 250	-29 to 121
Viton	-20 to 400	-29 to 204
EPDM	-40 to 300	-40 to 149

**Subject to limitations of body material.

Applicable Standards
• Design ASME B16.5
• Design ASME B16.34
• Testing API 598
• Conforms to API 594 & 6D
• MSS SP - 6
• MSS SP - 25
• MSS SP - 55

FLOW COEFFICIENTS

Size	2"	2-1/2"	3"	4"	5"	6"
C _v	48	98	170	290	495	720
Size	8"	10"	12"	14"	16"	18"
C _v	1800	2600	4300	5500	7200	9400
Size	20"	24"				
C _v	12600	19000				

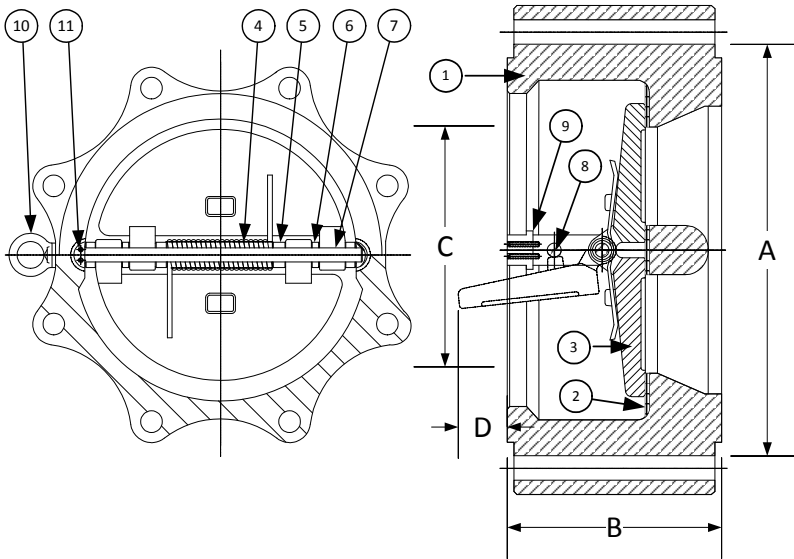




TECHNICAL DATA
DIMENSIONS AND WEIGHTS

Style DL

**Retainerless Wafer Lug Body
Double Disc Check Valve, 1500 lb.
Stainless Steel (ASTM A 351, Grade CF8M)**



PARTS LIST		
ITEM	DESCRIPTION	MATERIAL
1	Body	Stainless Steel (ASTM A 351, Grade CF8M)
2	Seat	Buna-N O-Ring
3	Disc	Stainless Steel (ASTM A 351, Grade CF8M)
4	Spring	Inconel X-750
5	Spring Plate	Stainless Steel (ASTM A 182, Grade F-316)
6	Thrust Washer	Stainless Steel (ASTM A 182, Grade F-316)
7	Hinge Pin	Stainless Steel (ASTM A 182, Grade F-316)
8	Stop Pin	Stainless Steel (ASTM A 182, Grade F-316)
9	Locating Piece	Stainless Steel (ASTM A 182, Grade F-316)
10	Lifting Lug	Carbon Steel
11	Screw	Stainless Steel (316)

Above "Standard" Product Number – DL7R-36-361IX
Other Options - Reference C2 for available materials.

SIZE		DIMENSIONS						WEIGHTS	
		A		B		C*			
in	mm	in	mm	in	mm	in	mm	lbs	kgs
2	50	5-5/8	143	2-3/4	70	1-11/16	43	37	17
3	80	6-7/8	175	3-1/4	83	2-5/8	67	70	32
4	100	8-1/4	210	4	102	3-7/16	87	112	51
6	150	11-1/8	283	6-1/4	159	5-3/16	132	262	119
8	200	13-7/8	352	8-1/8	206	6-13/16	173	488	221
10	250	17-1/8	435	9-3/4	248	8-1/2	216	917	416
12	300	20-1/2	521	12	305	10-1/8	257	1425	646
14	350	22-3/4	578	14	356	11-1/2	292	245	928
16	400	25-1/4	641	15-1/8	384	12-13/16	325	2600	1179
18	450	27-3/4	705	18-7/16	468	13-3/4	349	3883	1761
20	500	29-3/4	756	21	533	14-3/4	348	5700	2580
24	600	35-1/2	902	22	559	15-1/8	384	7150	3236

*Minimum companion flange bore.
Available with thru-hole bolting or threaded bolt holes.

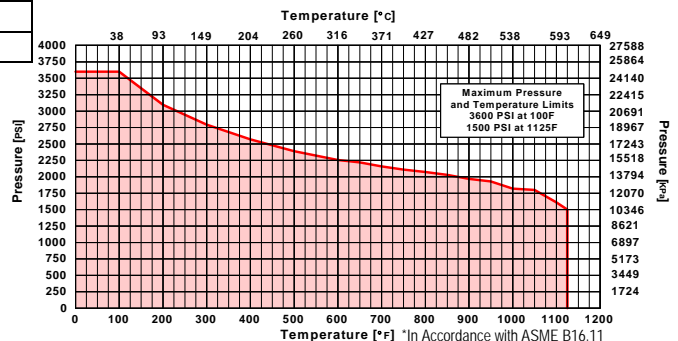
Sizes 30" and larger fit Series A flanges.

Seat Material	Operating Temperature**	
	°F	°C
Buna-N	-20 to 250	-29 to 121
Viton	-20 to 400	-29 to 204
EPDM	-40 to 300	-40 to 149

**Subject to limitations of body material.

Applicable Standards
• Design ASME B16.5
• Design ASME B16.34
• Testing API 598
• Conforms to API 594 & 6D
• MSS SP – 6
• MSS SP – 25
• MSS SP – 55

FLOW COEFFICIENTS						
Size	2"	2½"	3"	4"	5"	6"
C _v	48	98	170	290	495	720
Size	8"	10"	12"	14"	16"	18"
C _v	1800	2600	4300	5500	7200	9400
Size	20"	24"				
C _v	12600	19000				

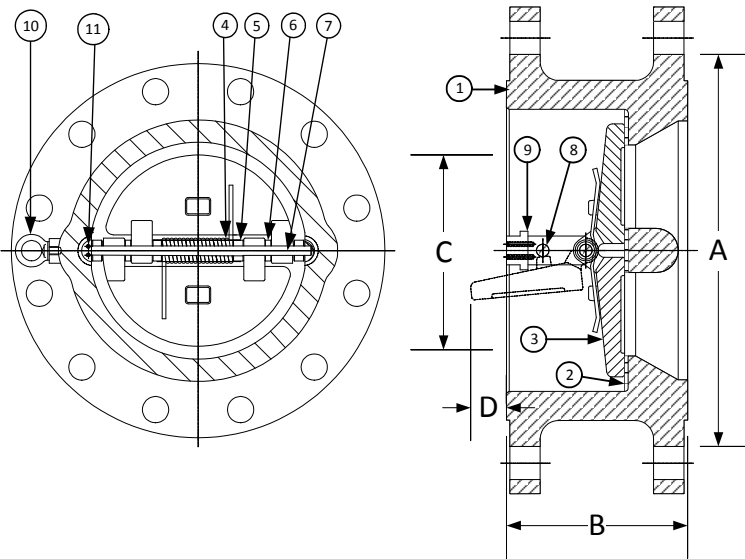




TECHNICAL DATA
DIMENSIONS AND WEIGHTS

Style DF

**Retainerless Wafer Double Flange Body
Double Disc Check Valve, 150 lb.
Bronze (ASTM B 62, C83600)**



PARTS LIST

ITEM	DESCRIPTION	MATERIAL
1	Body	Cast Bronze (ASTM B 62, C83600)
2	Seat	Buna-N O-Ring
3	Disc	Stainless Steel (ASTM A 351, Grade CF8M)
4	Spring	Inconel X-750
5	Spring Plate	Stainless Steel (ASTM A 182, Grade F-316)
6	Thrust Washer	Stainless Steel (ASTM A 182, Grade F-316)
7	Hinge Pin	Stainless Steel (ASTM A 182, Grade F-316)
8	Stop Pin	Stainless Steel (ASTM A 182, Grade F-316)
9	Locating Piece	Stainless Steel (ASTM A 182, Grade F-316)
10	Lifting Lug	Carbon Steel
11	Screw	Stainless Steel (316)

Above "Standard" Product Number – DF2F-B2-3611X
Other Options - Reference C2 for available materials.

SIZE		DIMENSIONS						WEIGHTS	
		A		B		C*			
in	mm	in	mm	in	mm	in	mm	lbs	kgs
8	200	11	279	5	127	7-5/8	194	93	42
10	250	13-3/8	340	5-3/4	146	9-9/16	243	189	86
12	300	16-1/8	410	7-1/8	181	11-3/8	289	308	140
14	350	17-3/4	451	7-1/4	184	12-1/2	318	352	160
16	400	20-1/4	514	7-1/2	191	15	381	496	225
18	450	21-5/8	549	8	203	16-7/8	428	551	250
20	500	23-7/8	606	8-5/8	219	8-7/8	480	661	300
24	600	28-1/4	718	8-3/4	222	22-5/8	575	860	389
30	750	34-3/4	883	12	305	29-1/4	743	1512	687
36	900	41-1/4	1048	14-1/2	368	35	889	2525	1145
42	1050	48	1219	17	432	41	1041	4163	1888
48	1200	54-1/2	1384	20-5/8	524	47	1194	5880	2667

*Minimum companion flange bore.
Available with thru-hole bolting or threaded bolt holes.

Sizes 30" and larger fit Series A flanges.

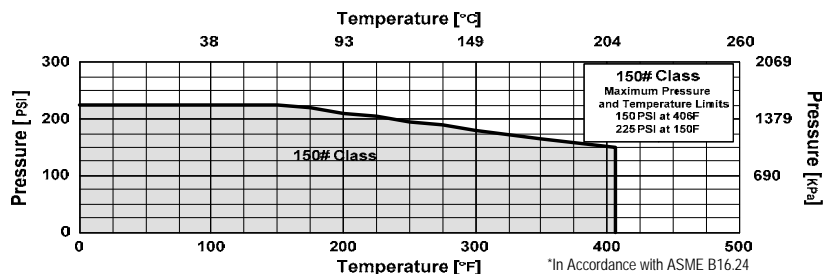
Seat Material	Operating Temperature**	
	°F	°C
Buna-N	-20 to 250	-29 to 121
Viton	-20 to 400	-29 to 204
EPDM	-40 to 300	-40 to 149

**Subject to limitations of body material.

Applicable Standards
• Design ASME B16.24
• Testing API 598
• Conforms to API 594 & 6D
• MSS SP - 6
• MSS SP - 25
• MSS SP - 55

FLOW COEFFICIENTS

Size	8"	10"	12"	14"	16"	18"
C _v	1800	2600	4300	5500	7200	9400
Size	20"	24"	30"	36"	42"	48"
C _v	12600	19000	37500	60000	89000	124000

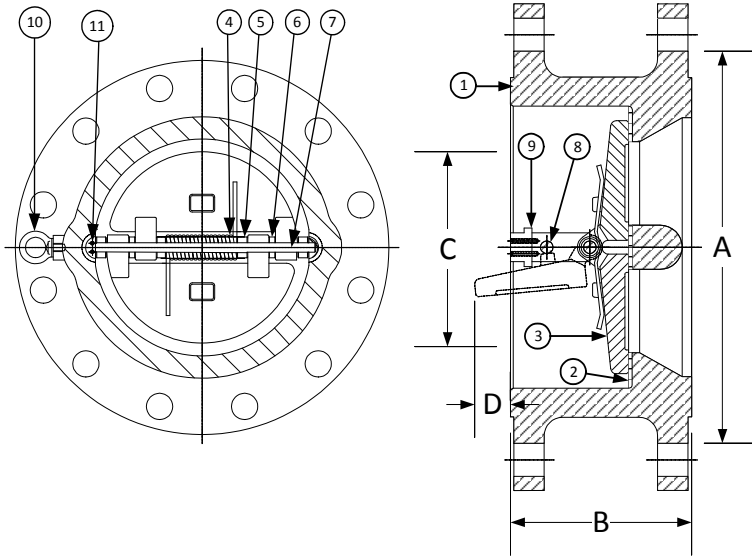




TECHNICAL DATA
DIMENSIONS AND WEIGHTS

Style DF

**Retainerless Wafer Double Flange Body
Double Disc Check Valve, 300 lb.
Bronze (ASTM B 62, C83600)**



PARTS LIST		
ITEM	DESCRIPTION	MATERIAL
1	Body	Cast Bronze (ASTM B 62, C83600)
2	Seat	Buna-N O-Ring
3	Disc	Stainless Steel (ASTM A 351, Grade CF8M)
4	Spring	Inconel X-750
5	Spring Plate	Stainless Steel (ASTM A 182, Grade F-316)
6	Thrust Washer	Stainless Steel (ASTM A 182, Grade F-316)
7	Hinge Pin	Stainless Steel (ASTM A 182, Grade F-316)
8	Stop Pin	Stainless Steel (ASTM A 182, Grade F-316)
9	Locating Piece	Stainless Steel (ASTM A 182, Grade F-316)
10	Lifting Lug	Carbon Steel
11	Screw	Stainless Steel (316)

Above "Standard" Product Number – DF4F-B2-3611X
Other Options - Reference C2 for available materials.

SIZE		DIMENSIONS						WEIGHTS	
		A		B		C*			
in	mm	in	mm	in	mm	in	mm	lbs	kgs
8	200	12-1/8	308	5	127	7-1/2	191	151	68
10	250	14-1/4	362	5-3/4	146	9-7/16	240	251	114
12	300	16-5/8	422	7-1/8	181	11-3/8	289	465	211
14	350	19-1/8	486	8-3/4	222	12-1/2	318	593	269
16	400	21-1/4	540	9-1/8	232	14-3/8	365	771	350
18	450	23-1/2	597	10-3/8	264	16-1/8	409	970	440
20	500	25-3/4	654	11-1/2	292	17-7/8	454	1078	488
24	600	30-1/2	775	12-1/2	318	22-1/8	562	1516	686
30	750	37-1/2	953	14-1/2	368	28-3/4	730	3100	1406
36	900	44	1118	19	483	35	864	4650	2109
42	1050	45-7/8	1289	22-3/8	568	41	1041	8670	3932
48	1200	52-1/8	1492	24-3/4	629	47	1193	9950	4513

*Minimum companion flange bore.

Available with thru-hole bolting or threaded bolt holes.

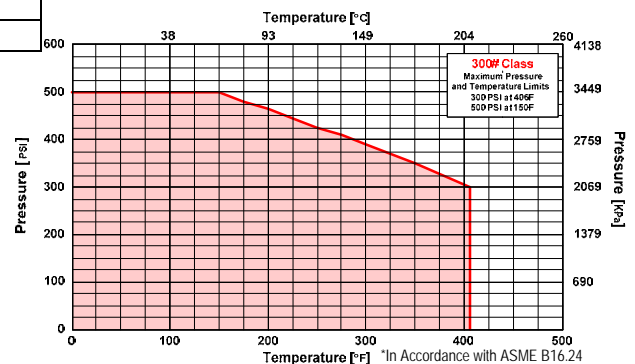
Sizes 30" and larger fit Series A flanges.

Seat Material	Operating Temperature**	
	°F	°C
Buna-N	-20 to 250	-29 to 121
Viton	-20 to 400	-29 to 204
EPDM	-40 to 300	-40 to 149

**Subject to limitations of body material.

Applicable Standards
• Design ASME B16.24
• Testing API 598
• Conforms to API 594 & 6D
• MSS SP - 6
• MSS SP - 25
• MSS SP - 55

FLOW COEFFICIENTS						
Size	8"	10"	12"	14"	16"	18"
C _v	1800	2600	4300	5500	7200	9400
Size	20"	24"	30"	36"	42"	48"
C _v	12600	19000	37500	60000	89000	124000

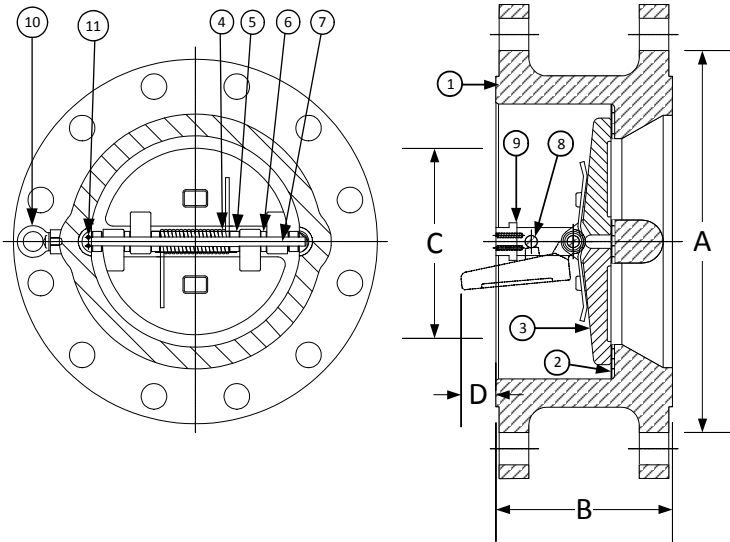




TECHNICAL DATA
DIMENSIONS AND WEIGHTS

Style DF

**Retainerless Wafer Double Flange Body
Double Disc Check Valve, 150 lb.
Nickel Aluminum Bronze (ASTM B 148, C95800)**



PARTS LIST		
ITEM	DESCRIPTION	MATERIAL
1	Body	Cast Nickel Aluminum Bronze (ASTM B 148, C95800)
2	Seat	Buna-N O-Ring
3	Disc	Cast Nickel Aluminum Bronze (ASTM B 148, C95800)
4	Spring	Inconel X-750
5	Spring Plate	Stainless Steel (ASTM A 182, Grade F-316)
6	Thrust Washer	Stainless Steel (ASTM A 182, Grade F-316)
7	Hinge Pin	Stainless Steel (ASTM A 182, Grade F-316)
8	Stop Pin	Stainless Steel (ASTM A 182, Grade F-316)
9	Locating Piece	Stainless Steel (ASTM A 182, Grade F-316)
10	Lifting Lug	Carbon Steel
11	Screw	Stainless Steel (316)

Above "Standard" Product Number - **DF2F-NA-NA1IX**
Other Options - Reference **C2** for available materials.

SIZE		DIMENSIONS						WEIGHTS	
		A		B		C*			
in	mm	in	mm	in	mm	in	mm	lbs	kgs
8	200	11	279	5	127	7-5/8	194	93	42
10	250	13-3/8	340	5-3/4	146	9-9/16	243	189	86
12	300	16-1/8	410	7-1/8	181	11-3/8	289	308	140
14	350	17-3/4	451	7-1/4	184	12-1/2	318	352	160
16	400	20-1/4	514	7-1/2	191	15	381	496	225
18	450	21-5/8	549	8	203	16-7/8	428	551	250
20	500	23-7/8	606	8-5/8	219	8-7/8	480	661	300
24	600	28-1/4	718	8-3/4	222	22-5/8	575	860	389
30	750	34-3/4	883	12	305	29-1/4	743	1512	687
36	900	41-1/4	1048	14-1/2	368	35	889	2525	1145
42	1050	48	1219	17	432	41	1041	4163	1888
48	1200	54-1/2	1384	20-5/8	524	47	1194	5880	2667

*Minimum companion flange bore.
Available with thru-hole bolting or threaded bolt holes.

Sizes 30" and larger fit Series A flanges.

Seat Material	Operating Temperature**	
	°F	°C
Buna-N	-20 to 250	-29 to 121
Viton	-20 to 400	-29 to 204
EPDM	-40 to 300	-40 to 149

**Subject to limitations of body material.

Applicable Standards
• Design ASME B16.24
• Testing API 598
• Conforms to API 594 & 6D
• MSS SP - 6
• MSS SP - 25
• MSS SP - 55

FLOW COEFFICIENTS

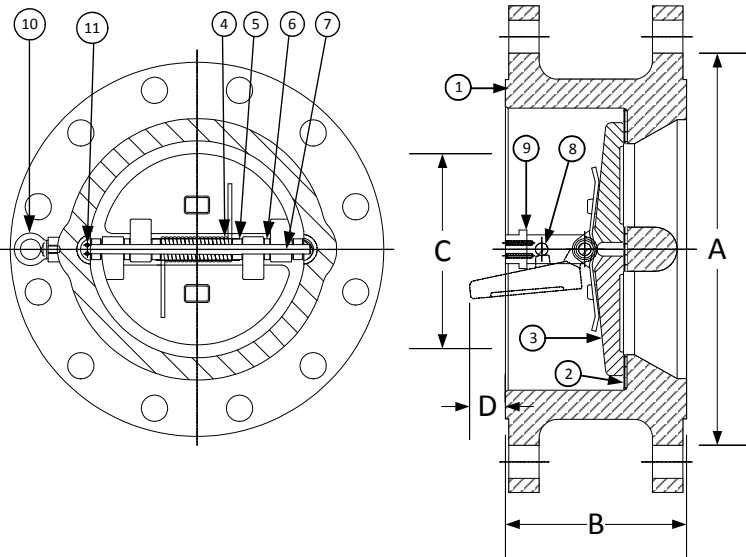
Size	8"	10"	12"	14"	16"	18"
C _v	1800	2600	4300	5500	7200	9400
Size	20"	24"	30"	36"	42"	48"
C _v	12600	19000	37500	60000	89000	124000



TECHNICAL DATA
DIMENSIONS AND WEIGHTS

Style DF

**Retainerless Wafer Double Flange Body
Double Disc Check Valve, 300 lb.
Nickel Aluminum Bronze (ASTM B 148, C95800)**



PARTS LIST		
ITEM	DESCRIPTION	MATERIAL
1	Body	Cast Nickel Aluminum Bronze (ASTM B 148, C95800)
2	Seat	Buna-N O-Ring
3	Disc	Cast Nickel Aluminum Bronze (ASTM B 148, C95800)
4	Spring	Inconel X-750
5	Spring Plate	Stainless Steel (ASTM A 182, Grade F-316)
6	Thrust Washer	Stainless Steel (ASTM A 182, Grade F-316)
7	Hinge Pin	Stainless Steel (ASTM A 182, Grade F-316)
8	Stop Pin	Stainless Steel (ASTM A 182, Grade F-316)
9	Locating Piece	Stainless Steel (ASTM A 182, Grade F-316)
10	Lifting Lug	Carbon Steel
11	Screw	Stainless Steel (316)

Above "Standard" Product Number - DF4F-NA-NA1IX
Other Options - Reference C2 for available materials.

SIZE		DIMENSIONS						WEIGHTS	
		A		B		C*			
in	mm	in	mm	in	mm	in	mm	lbs	kgs
8	200	12-1/8	308	5	127	7-1/2	191	151	68
10	250	14-1/4	362	5-3/4	146	9-7/16	240	251	114
12	300	16-5/8	422	7-1/8	181	11-3/8	289	465	211
14	350	19-1/8	486	8-3/4	222	12-1/2	318	593	269
16	400	21-1/4	540	9-1/8	232	14-3/8	365	771	350
18	450	23-1/2	597	10-3/8	264	16-1/8	409	970	440
20	500	25-3/4	654	11-1/2	292	17-7/8	454	1078	488
24	600	30-1/2	775	12-1/2	318	22-1/8	562	1516	686
30	750	37-1/2	953	14-1/2	368	28-3/4	730	3100	1406
36	900	44	1118	19	483	35	864	4650	2109
42	1050	45-7/8	1289	22-3/8	568	41	1041	8670	3932
48	1200	52-1/8	1492	24-3/4	629	47	1193	9950	4513

*Minimum companion flange bore.

Available with thru-hole bolting or threaded bolt holes.

Sizes 30" and larger fit Series A flanges.

Seat Material	Operating Temperature**	
	°F	°C
Buna-N	-20 to 250	-29 to 121
Viton	-20 to 400	-29 to 204
EPDM	-40 to 300	-40 to 149

**Subject to limitations of body material.

Applicable Standards
• Design ASME B16.24
• Testing API 598
• Conforms to API 594 & 6D
• MSS SP - 6
• MSS SP - 25
• MSS SP - 55

FLOW COEFFICIENTS

Size	8"	10"	12"	14"	16"	18"
C _v	1800	2600	4300	5500	7200	9400
Size	20"	24"	30"	36"	42"	48"
C _v	12600	19000	37500	60000	89000	124000

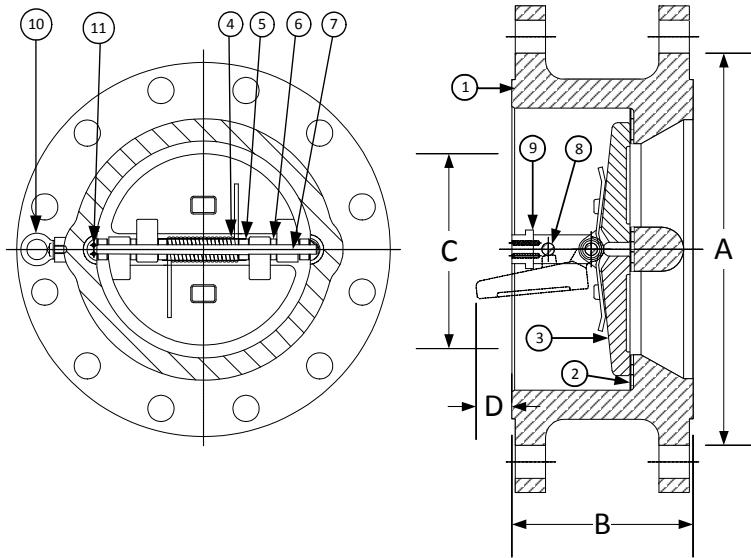


TECHNICAL DATA
DIMENSIONS AND WEIGHTS

Style DF

**Retainerless Wafer Double Flange Body
Double Disc Check Valve, 150 lb.**

Carbon Steel (ASTM A 216, Grade WCB)



PARTS LIST

ITEM	DESCRIPTION	MATERIAL
1	Body	Carbon Steel (ASTM A 216, Grade WCB)
2	Seat	Buna-N O-Ring
3	Disc	Stainless Steel (ASTM A 351, Grade CF8M)
4	Spring	Inconel X -750
5	Spring Plate	Stainless Steel (ASTM A 182, Grade F-316)
6	Thrust Washer	Stainless Steel (ASTM A 182, Grade F-316)
7	Hinge Pin	Stainless Steel (ASTM A 182, Grade F-316)
8	Stop Pin	Stainless Steel (ASTM A 182, Grade F-316)
9	Locating Piece	Stainless Steel (ASTM A 182, Grade F-316)
10	Lifting Lug	Carbon Steel
11	Screw	Stainless Steel (316)

Above "Standard" Product Number – DF2R-CS-3611X
Other Options - Reference C2 for available materials.

SIZE		DIMENSIONS						WEIGHTS	
		A		B		C*			
in	mm	in	mm	in	mm	in	mm	lbs	kgs
8	200	11	279	5	127	7-5/8	194	93	42
10	250	13-3/8	340	5-3/4	146	9-9/16	243	189	86
12	300	16-1/8	410	7-1/8	181	11-3/8	289	308	140
14	350	17-3/4	451	7-1/4	184	12-1/2	318	352	160
16	400	20-1/4	514	7-1/2	191	15	381	496	225
18	450	21-5/8	549	8	203	16-7/8	428	551	250
20	500	23-7/8	606	8-5/8	219	8-7/8	480	661	300
24	600	28-1/4	718	8-3/4	222	22-5/8	575	860	389
30	750	34-3/4	883	12	305	29-1/4	743	1512	687
36	900	41-1/4	1048	14-1/2	368	35	889	2525	1145
42	1050	48	1219	17	432	41	1041	4163	1888
48	1200	54-1/2	1384	20-5/8	524	47	1194	5880	2667

*Minimum companion flange bore.
Available with thru-hole bolting or threaded bolt holes.

Sizes 30" and larger fit Series A flanges.

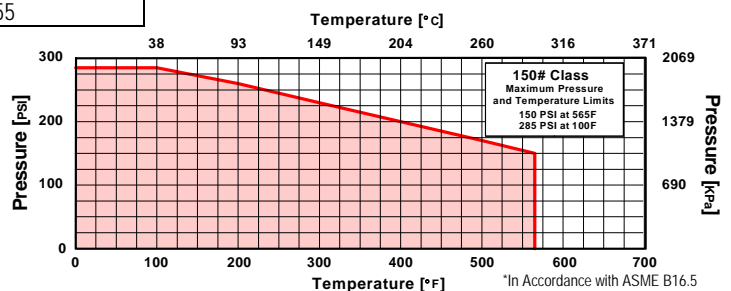
Seat Material	Operating Temperature**	
	°F	°C
Buna-N	-20 to 250	-29 to 121
Viton	-20 to 400	-29 to 204
EPDM	-40 to 300	-40 to 149

Applicable Standards
• Design ASME B16.5
• Design ASME B16.34
• Testing API 598
• Conforms to API 594 & 6D
• MSS SP - 6
• MSS SP - 25
• MSS SP - 55

**Subject to limitations of body material.

FLOW COEFFICIENTS

Size	8"	10"	12"	14"	16"	18"
C _v	1800	2600	4300	5500	7200	9400
Size	20"	24"	30"	36"	42"	48"
C _v	12600	19000	37500	60000	89000	124000

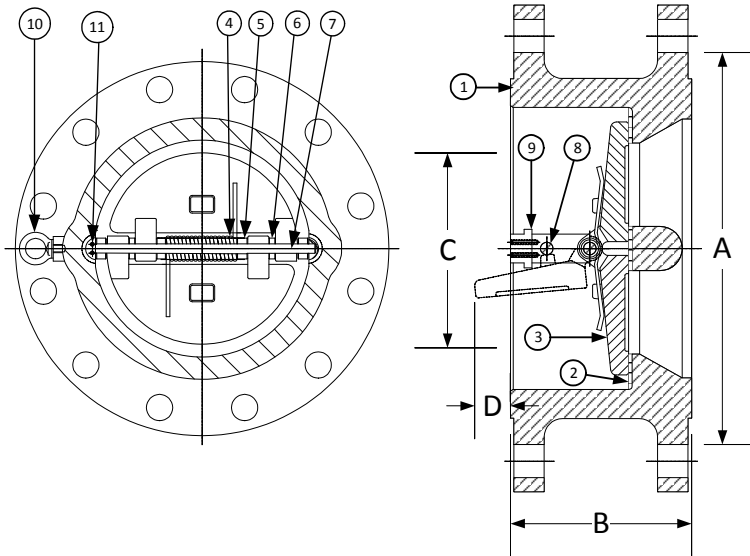




TECHNICAL DATA
DIMENSIONS AND WEIGHTS

Style DF

**Retainerless Wafer Double Flange Body
Double Disc Check Valve, 300 lb.
Carbon Steel (ASTM A 216, Grade WCB)**



PARTS LIST		
ITEM	DESCRIPTION	MATERIAL
1	Body	Carbon Steel (ASTM A 216, Grade WCB)
2	Seat	Buna-N O-Ring
3	Disc	Stainless Steel (ASTM A 351, Grade CF8M)
4	Spring	Inconel X-750
5	Spring Plate	Stainless Steel (ASTM A 182, Grade F-316)
6	Thrust Washer	Stainless Steel (ASTM A 182, Grade F-316)
7	Hinge Pin	Stainless Steel (ASTM A 182, Grade F-316)
8	Stop Pin	Stainless Steel (ASTM A 182, Grade F-316)
9	Locating Piece	Stainless Steel (ASTM A 182, Grade F-316)
10	Lifting Lug	Carbon Steel
11	Screw	Stainless Steel (316)

Above "Standard" Product Number – DF4R-CS-361IX
Other Options - Reference C2 for available materials.

SIZE		DIMENSIONS						WEIGHTS	
		A		B		C*			
in	mm	in	mm	in	mm	in	mm	lbs	kgs
8	200	12-1/8	308	5	127	7-1/2	191	151	68
10	250	14-1/4	362	5-3/4	146	9-7/16	240	251	114
12	300	16-5/8	422	7-1/8	181	11-3/8	289	465	211
14	350	19-1/8	486	8-3/4	222	12-1/2	318	593	269
16	400	21-1/4	540	9-1/8	232	14-3/8	365	771	350
18	450	23-1/2	597	10-3/8	264	16-1/8	409	970	440
20	500	25-3/4	654	11-1/2	292	17-7/8	454	1078	488
24	600	30-1/2	775	12-1/2	318	22-1/8	562	1516	686
30	750	37-1/2	953	14-1/2	368	28-3/4	730	3100	1406
36	900	44	1118	19	483	35	864	4650	2109
42	1050	45-7/8	1289	22-3/8	568	41	1041	8670	3932
48	1200	52-1/8	1492	24-3/4	629	47	1193	9950	4513

*Minimum companion flange bore.

Available with thru-hole bolting or threaded bolt holes.

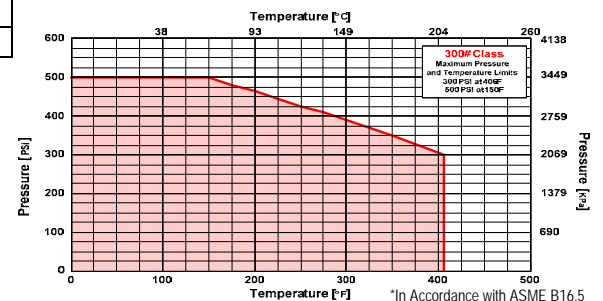
Sizes 30" and larger fit Series A flanges.

Seat Material	Operating Temperature**	
	°F	°C
Buna-N	-20 to 250	-29 to 121
Viton	-20 to 400	-29 to 204
EPDM	-40 to 300	-40 to 149

**Subject to limitations of body material.

Applicable Standards
• Design ASME B16.5
• Design ASME B16.34
• Testing API 598
• Conforms to API 594 & 6D
• MSS SP - 6
• MSS SP - 25
• MSS SP - 55

FLOW COEFFICIENTS						
Size	8"	10"	12"	14"	16"	18"
C _v	1800	2600	4300	5500	7200	9400
Size	20"	24"	30"	36"	42"	48"
C _v	12600	19000	37500	60000	89000	124000

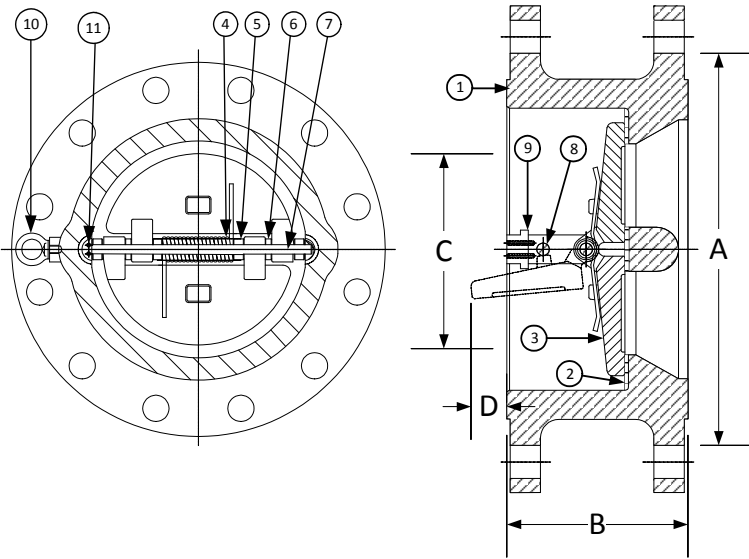




TECHNICAL DATA
DIMENSIONS AND WEIGHTS

Style DF

**Retainerless Wafer Double Flange Body
Double Disc Check Valve, 600 lb.
Carbon Steel (ASTM A 216, Grade WCB)**



PARTS LIST

ITEM	DESCRIPTION	MATERIAL
1	Body	Carbon Steel (ASTM A 216, Grade WCB)
2	Seat	Buna-N O-Ring
3	Disc	Stainless Steel (ASTM A 351, Grade CF8M)
4	Spring	Inconel X-750
5	Spring Plate	Stainless Steel (ASTM A 182, Grade F-316)
6	Thrust Washer	Stainless Steel (ASTM A 182, Grade F-316)
7	Hinge Pin	Stainless Steel (ASTM A 182, Grade F-316)
8	Stop Pin	Stainless Steel (ASTM A 182, Grade F-316)
9	Locating Piece	Stainless Steel (ASTM A 182, Grade F-316)
10	Lifting Lug	Carbon Steel
11	Screw	Stainless Steel (316)

Above "Standard" Product Number – DF5R-CS-3611X
Other Options - Reference C2 for available materials.

SIZE		DIMENSIONS						WEIGHTS	
		A		B		C*			
in	mm	in	mm	in	mm	in	mm	lbs	kgs
12	300	18	457	9	229	11-3/8	289	612	277
14	350	19-3/8	492	10-3/4	273	12-1/2	318	826	375
16	400	22-1/4	565	12	305	14-3/8	365	951	430
18	450	24-1/8	613	14-1/4	362	16-1/8	409	1433	650
20	500	26-7/8	683	14-1/2	368	18	457	1763	800
24	600	31-1/8	791	17-1/4	438	21-9/16	548	2755	1250
30	750	38-1/4	972	19-7/8	505	28-3/4	730	5070	2300
36	900	44-1/2	1130	25	635	33-3/4	857	7605	3450
42	1050	48	1219	27-37-64	701	39-1/2	1003	9985	4529
48	1200	-	-	31	787	36	914	12600	5715

*Minimum companion flange bore.
Available with thru-hole bolting or threaded bolt holes.

Sizes 30" and larger fit Series A flanges.

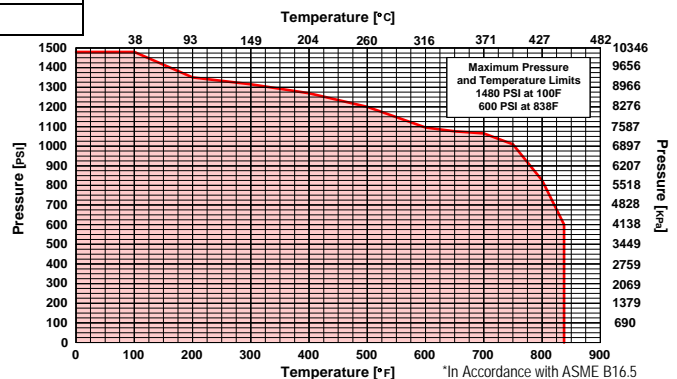
Seat Material	Operating Temperature**	
	°F	°C
Buna-N	-20 to 250	-29 to 121
Viton	-20 to 400	-29 to 204
EPDM	-40 to 300	-40 to 149

Applicable Standards
• Design ASME B16.5
• Design ASME B16.34
• Testing API 598
• Conforms to API 594 & 6D
• MSS SP - 6
• MSS SP - 25
• MSS SP - 55

**Subject to limitations of body material.

FLOW COEFFICIENTS

Size	12"	14"	16"	18"	20"	24"
C _v	4300	5500	7200	9400	12600	19000
Size	30"	36"	42"	48"		
C _v	37500	60000	89000	12400		

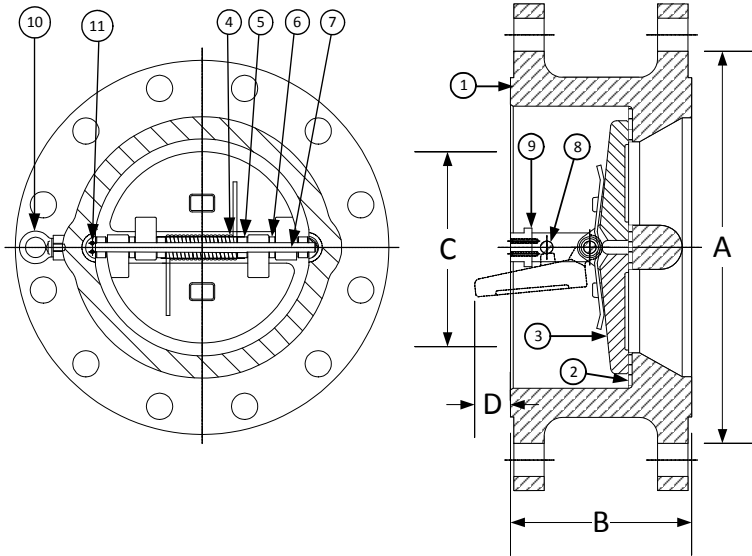




TECHNICAL DATA
DIMENSIONS AND WEIGHTS

Style DF

**Retainerless Wafer Double Flange Body
Double Disc Check Valve, 900 lb.
Carbon Steel (ASTM A 216, Grade WCB)**



PARTS LIST		
ITEM	DESCRIPTION	MATERIAL
1	Body	Carbon Steel (ASTM A 216, Grade WCB)
2	Seat	Buna-N O-Ring
3	Disc	Stainless Steel (ASTM A 351, Grade CF8M)
4	Spring	Inconel X-750
5	Spring Plate	Stainless Steel (ASTM A 182, Grade F-316)
6	Thrust Washer	Stainless Steel (ASTM A 182, Grade F-316)
7	Hinge Pin	Stainless Steel (ASTM A 182, Grade F-316)
8	Stop Pin	Stainless Steel (ASTM A 182, Grade F-316)
9	Locating Piece	Stainless Steel (ASTM A 182, Grade F-316)
10	Lifting Lug	Carbon Steel
11	Screw	Stainless Steel (316)

Above "Standard" Product Number - DF6R-CS-361IX
Other Options - Reference C2 for available materials.

SIZE		DIMENSIONS						WEIGHTS	
		A		B		C*			
in	mm	in	mm	in	mm	in	mm	lbs	kgs
12	300	19-5/8	498	11-1/2	292	10-1/8	257	770	349
14	350	20-1/2	521	14	356	11-1/2	292	1240	561
16	400	22-5/8	575	15-1/8	384	12-7/8	327	1653	750
18	450	25-1/8	638	17-3/4	451	14-1/2	368	2314	1050
20	500	27-1/2	699	17-3/4	451	18	457	2866	1300
24	600	33	838	19-1/2	495	21-1/2	546	4175	1893

*Minimum companion flange bore.
Available with thru-hole bolting or threaded bolt holes.

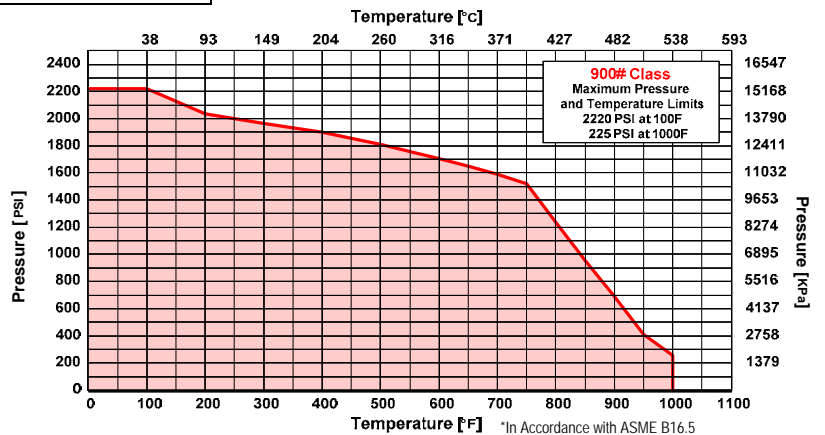
Sizes 30" and larger fit Series A flanges.

Seat Material	Operating Temperature**	
	°F	°C
Buna-N	-20 to 250	-29 to 121
Viton	-20 to 400	-29 to 204
EPDM	-40 to 300	-40 to 149

**Subject to limitations of body material.

Applicable Standards
• Design ASME B16.5
• Design ASME B16.34
• Testing API 598
• Conforms to API 594 & 6D
• MSS SP - 6
• MSS SP - 25
• MSS SP - 55

Size	FLOW COEFFICIENTS					
	12"	14"	16"	18"	20"	24"
Cv	4300	5500	7200	9400	12600	19000

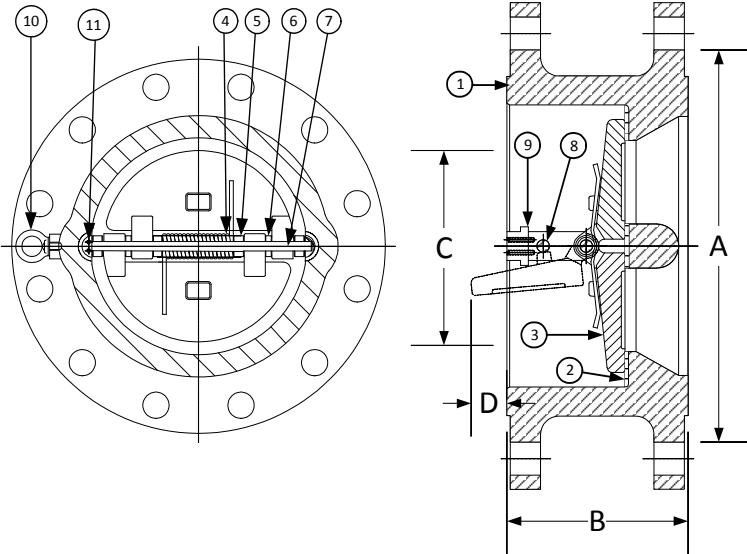




TECHNICAL DATA
DIMENSIONS AND WEIGHTS

Style DF

**Retainerless Wafer Double Flange Body
Double Disc Check Valve, 150 lb.
Stainless Steel (ASTM A 351, Grade CF8M)**



PARTS LIST		
ITEM	DESCRIPTION	MATERIAL
1	Body	Stainless Steel (ASTM A 351, Grade CF8M)
2	Seat	Buna-N O-Ring
3	Disc	Stainless Steel (ASTM A 351, Grade CF8M)
4	Spring	Inconel X-750
5	Spring Plate	Stainless Steel (ASTM A 182, Grade F-316)
6	Thrust Washer	Stainless Steel (ASTM A 182, Grade F-316)
7	Hinge Pin	Stainless Steel (ASTM A 182, Grade F-316)
8	Stop Pin	Stainless Steel (ASTM A 182, Grade F-316)
9	Locating Piece	Stainless Steel (ASTM A 182, Grade F-316)
10	Lifting Lug	Carbon Steel
11	Screw	Stainless Steel (316)

Above "Standard" Product Number – DF2R-36-361IX
Other Options - Reference C2 for available materials.

SIZE		DIMENSIONS						WEIGHTS	
		A		B		C*			
in	mm	in	mm	in	mm	in	mm	lbs	kgs
8	200	11	279	5	127	7-5/8	194	93	42
10	250	13-3/8	340	5-3/4	146	9-9/16	243	189	86
12	300	16-1/8	410	7-1/8	181	11-3/8	289	308	140
14	350	17-3/4	451	7-1/4	184	12-1/2	318	352	160
16	400	20-1/4	514	7-1/2	191	15	381	496	225
18	450	21-5/8	549	8	203	16-7/8	428	551	250
20	500	23-7/8	606	8-5/8	219	8-7/8	480	661	300
24	600	28-1/4	718	8-3/4	222	22-5/8	575	860	389
30	750	34-3/4	883	12	305	29-1/4	743	1512	687
36	900	41-1/4	1048	14-1/2	368	35	889	2525	1145
42	1050	48	1219	17	432	41	1041	4163	1888
48	1200	54-1/2	1384	20-5/8	524	47	1194	5880	2667

*Minimum companion flange bore.
Available with thru-hole bolting or threaded bolt holes.

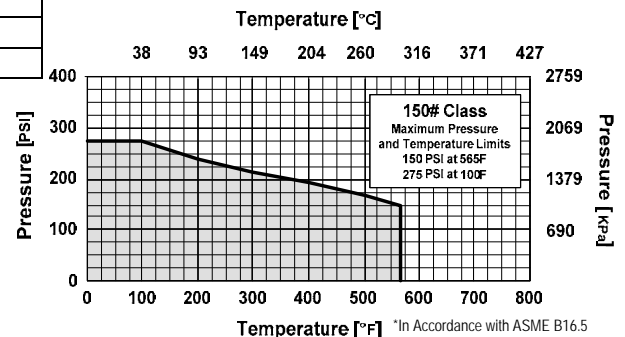
Sizes 30" and larger fit Series A flanges.

Seat Material	Operating Temperature**	
	°F	°C
Buna-N	-20 to 250	-29 to 121
Viton	-20 to 400	-29 to 204
EPDM	-40 to 300	-40 to 149

**Subject to limitations of body material.

Applicable Standards
• Design ASME B16.5
• Design ASME B16.34
• Testing API 598
• Conforms to API 594 & 6D
• MSS SP - 6
• MSS SP - 25
• MSS SP - 55

FLOW COEFFICIENTS						
Size	8"	10"	12"	14"	16"	18"
C _v	1800	2600	4300	5500	7200	9400
Size	20"	24"	30"	36"	42"	48"
C _v	12600	19000	37500	60000	89000	124000

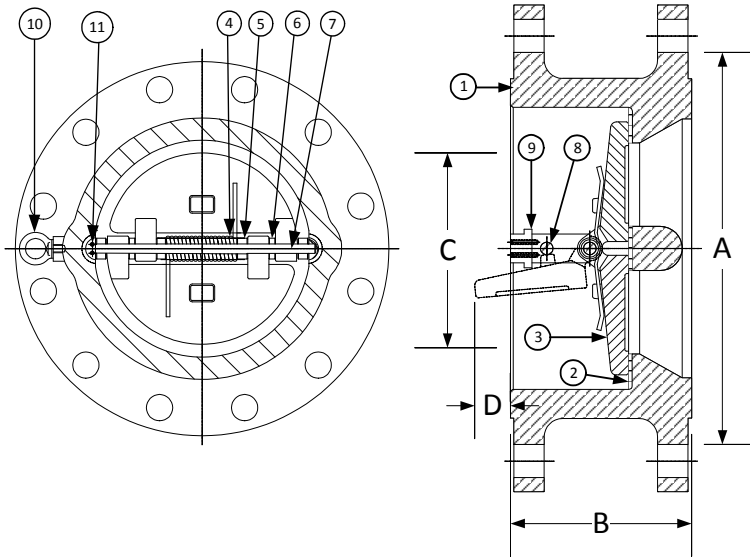




TECHNICAL DATA
DIMENSIONS AND WEIGHTS

Style DF

**Retainerless Wafer Double Flange Body
Double Disc Check Valve, 300 lb.
Stainless Steel (ASTM A 351, Grade CF8M)**



PARTS LIST		
ITEM	DESCRIPTION	MATERIAL
1	Body	Stainless Steel (ASTM A 351, Grade CF8M)
2	Seat	Buna-N O-Ring
3	Disc	Stainless Steel (ASTM A 351, Grade CF8M)
4	Spring	Inconel X-750
5	Spring Plate	Stainless Steel (ASTM A 182, Grade F-316)
6	Thrust Washer	Stainless Steel (ASTM A 182, Grade F-316)
7	Hinge Pin	Stainless Steel (ASTM A 182, Grade F-316)
8	Stop Pin	Stainless Steel (ASTM A 182, Grade F-316)
9	Locating Piece	Stainless Steel (ASTM A 182, Grade F-316)
10	Lifting Lug	Carbon Steel
11	Screw	Stainless Steel (316)

Above "Standard" Product Number - DF4R-36-361IX
Other Options - Reference C2 for available materials.

SIZE		DIMENSIONS						WEIGHTS	
		A		B		C*			
in	mm	in	mm	in	mm	in	mm	lbs	kgs
8	200	12-1/8	308	5	127	7-1/2	191	151	68
10	250	14-1/4	362	5-3/4	146	9-7/16	240	251	114
12	300	16-5/8	422	7-1/8	181	11-3/8	289	465	211
14	350	19-1/8	486	8-3/4	222	12-1/2	318	593	269
16	400	21-1/4	540	9-1/8	232	14-3/8	365	771	350
18	450	23-1/2	597	10-3/8	264	16-1/8	409	970	440
20	500	25-3/4	654	11-1/2	292	17-7/8	454	1078	488
24	600	30-1/2	775	12-1/2	318	22-1/8	562	1516	686
30	750	37-1/2	953	14-1/2	368	28-3/4	730	3100	1406
36	900	44	1118	19	483	35	864	4650	2109
42	1050	45-7/8	1289	22-3/8	568	41	1041	8670	3932
48	1200	52-1/8	1492	24-3/4	629	47	1193	9950	4513

*Minimum companion flange bore.

Available with thru-hole bolting or threaded bolt holes.

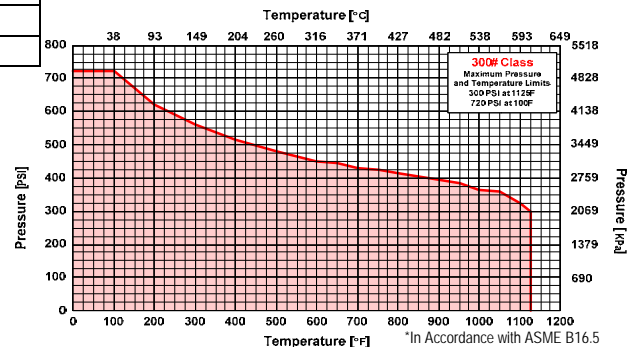
Sizes 30" and larger fit Series A flanges.

Seat Material	Operating Temperature**	
	°F	°C
Buna-N	-20 to 250	-29 to 121
Viton	-20 to 400	-29 to 204
EPDM	-40 to 300	-40 to 149

**Subject to limitations of body material.

Applicable Standards
• Design ASME B16.5
• Design ASME B16.34
• Testing API 598
• Conforms to API 594 & 6D
• MSS SP - 6
• MSS SP - 25
• MSS SP - 55

FLOW COEFFICIENTS						
Size	8"	10"	12"	14"	16"	18"
C _v	1800	2600	4300	5500	7200	9400
Size	20"	24"	30"	36"	42"	48"
C _v	12600	19000	37500	60000	89000	124000

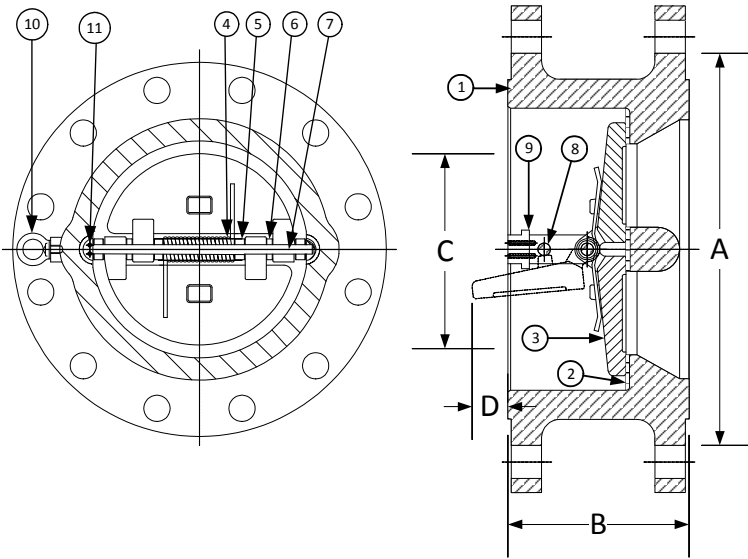




TECHNICAL DATA
DIMENSIONS AND WEIGHTS

Style DF

**Retainerless Wafer Double Flange Body
Double Disc Check Valve, 600 lb.
Stainless Steel (ASTM A 351, Grade CF8M)**



PARTS LIST

ITEM	DESCRIPTION	MATERIAL
1	Body	Stainless Steel (ASTM A 351, Grade CF8M)
2	Seat	Buna-N O-Ring
3	Disc	Stainless Steel (ASTM A 351, Grade CF8M)
4	Spring	Inconel X-750
5	Spring Plate	Stainless Steel (ASTM A 182, Grade F-316)
6	Thrust Washer	Stainless Steel (ASTM A 182, Grade F-316)
7	Hinge Pin	Stainless Steel (ASTM A 182, Grade F-316)
8	Stop Pin	Stainless Steel (ASTM A 182, Grade F-316)
9	Locating Piece	Stainless Steel (ASTM A 182, Grade F-316)
10	Lifting Lug	Carbon Steel
11	Screw	Stainless Steel (316)

Above "Standard" Product Number – DF5R-36-3611X
Other Options - Reference C2 for available materials.

SIZE		DIMENSIONS						WEIGHTS	
		A		B		C*			
in	mm	in	mm	in	mm	in	mm	lbs	kgs
12	300	18	457	9	229	11-3/8	289	612	277
14	350	19-3/8	492	10-3/4	273	12-1/2	318	826	375
16	400	22-1/4	565	12	305	14-3/8	365	951	430
18	450	24-1/8	613	14-1/4	362	16-1/8	409	1433	650
20	500	26-7/8	683	14-1/2	368	18	457	1763	800
24	600	31-1/8	791	17-1/4	438	21-9/16	548	2755	1250
30	750	38-1/4	972	19-7/8	505	28-3/4	730	5070	2300
36	900	44-1/2	1130	25	635	33-3/4	857	7605	3450
42	1050	48	1219	27-37-64	701	39-1/2	1003	9985	4529
48	1200	-	-	31	787	36	914	12600	5715

*Minimum companion flange bore.
Available with thru-hole bolting or threaded bolt holes.

Sizes 30" and larger fit Series A flanges.

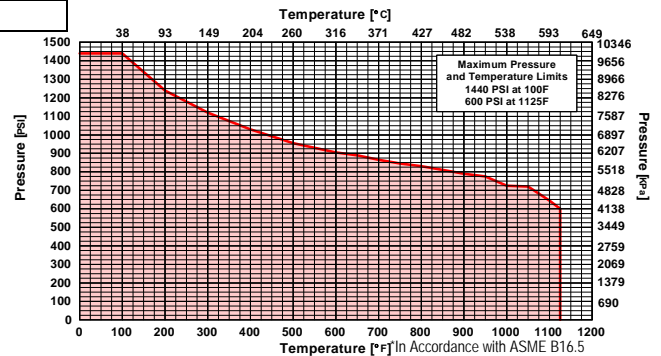
Seat Material	Operating Temperature**	
	°F	°C
Buna-N	-20 to 250	-29 to 121
Viton	-20 to 400	-29 to 204
EPDM	-40 to 300	-40 to 149

Applicable Standards
• Design ASME B16.5
• Design ASME B16.34
• Testing API 598
• Conforms to API 594 & 6D
• MSS SP – 6
• MSS SP – 25
• MSS SP – 55

**Subject to limitations of body material.

FLOW COEFFICIENTS

Size	12"	14"	16"	18"	20"	24"
C _v	4300	5500	7200	9400	12600	19000
Size	30"	36"	42"	48"		
C _v	37500	60000	89000	12400		

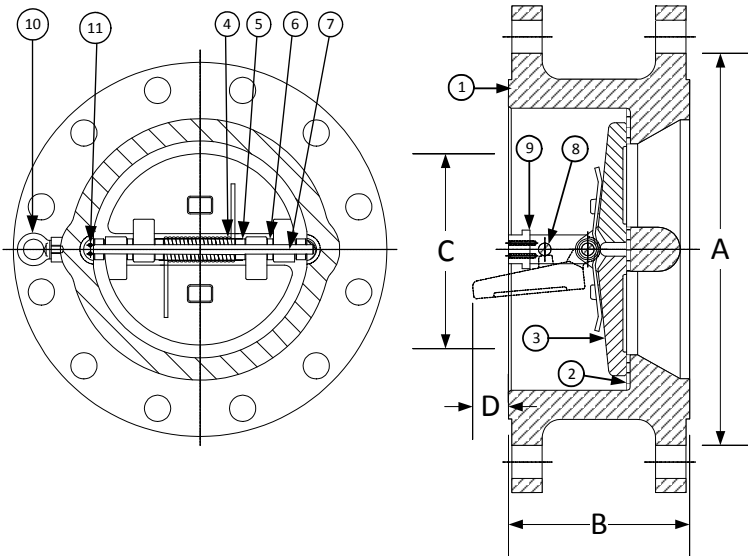




TECHNICAL DATA
DIMENSIONS AND WEIGHTS

Style DF

**Retainerless Wafer Double Flange Body
Double Disc Check Valve, 900 lb.
Stainless Steel (ASTM A 351, Grade CF8M)**



PARTS LIST		
ITEM	DESCRIPTION	MATERIAL
1	Body	Stainless Steel (ASTM A 351, Grade CF8M)
2	Seat	Buna-N O-Ring
3	Disc	Stainless Steel (ASTM A 351, Grade CF8M)
4	Spring	Inconel X-750
5	Spring Plate	Stainless Steel (ASTM A 182, Grade F-316)
6	Thrust Washer	Stainless Steel (ASTM A 182, Grade F-316)
7	Hinge Pin	Stainless Steel (ASTM A 182, Grade F-316)
8	Stop Pin	Stainless Steel (ASTM A 182, Grade F-316)
9	Locating Piece	Stainless Steel (ASTM A 182, Grade F-316)
10	Lifting Lug	Carbon Steel
11	Screw	Stainless Steel (316)

Above "Standard" Product Number – DF6R-36-361IX
Other Options - Reference C2 for available materials.

SIZE		DIMENSIONS						WEIGHTS	
		A		B		C*			
in	mm	in	mm	in	mm	in	mm	lbs	kgs
12	300	19-5/8	498	11-1/2	292	10-1/8	257	770	349
14	350	20-1/2	521	14	356	11-1/2	292	1240	561
16	400	22-5/8	575	15-1/8	384	12-7/8	327	1653	750
18	450	25-1/8	638	17-3/4	451	14-1/2	368	2314	1050
20	500	27-1/2	699	17-3/4	451	18	457	2866	1300
24	600	33	838	19-1/2	495	21-1/2	546	4175	1893

*Minimum companion flange bore.
Available with thru-hole bolting or threaded bolt holes.

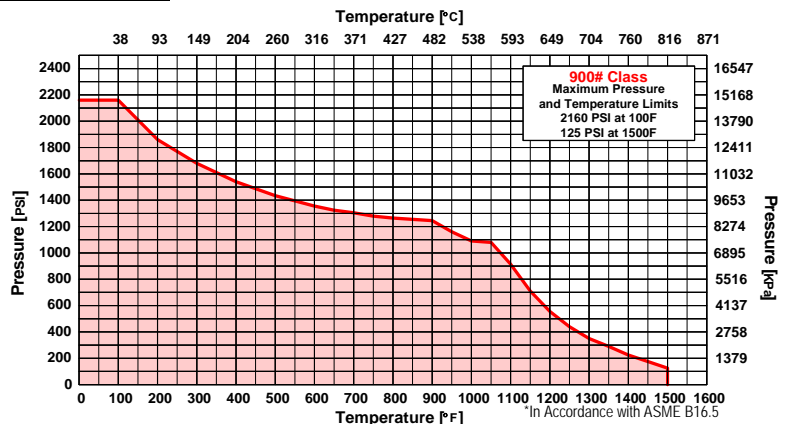
Sizes 30" and larger fit Series A flanges.

Seat Material	Operating Temperature**	
	°F	°C
Buna-N	-20 to 250	-29 to 121
Viton	-20 to 400	-29 to 204
EPDM	-40 to 300	-40 to 149

**Subject to limitations of body material.

Applicable Standards
• Design ASME B16.5
• Design ASME B16.34
• Testing API 598
• Conforms to API 594 & 6D
• MSS SP – 6
• MSS SP – 25
• MSS SP – 55

Size	FLOW COEFFICIENTS					
	12"	14"	16"	18"	20"	24"
C _v	4300	5500	7200	9400	12600	19000





Style CW

Cast Iron (ASTM A 126, Class B)

125 lb. / 250 lb.

Sizes 2" – 6" are 125/250 lb. dual rated.

Sizes 8" – 12" are 125 lb. rated.

Carbon Steel (ASTM A 216, Grade WCB)

150 lb. / 300 lb.

Sizes 2" – 6" are 150/300 lb. dual rated.

Sizes 8" – 12" are 150 lb. rated.

Stainless Steel (ASTM A 351, Grade CF8M)

150 lb. / 300 lb.

Sizes 2" – 6" are 150/300 lb. dual rated.

Sizes 8" – 12" are 150 lb. rated.



Wafer Silent Check Valve

APPLICATIONS

Liquid or gas where protection from flow reversal in a pipeline is required.

CONSTRUCTION

The Keckley Style CW Wafer Silent Check Valves are constructed from rugged castings that are machined to exacting specifications. Reference individual technical data pages for standard disc, seat, springs, and bushing.

FEATURES

- A short face-to-face dimension.
- A spring automatically closes the disc at zero flow, which prevents flow reversal and water hammer.
- The seat and disc's mating surfaces are hand lapped.
- The disc is fully guided at the top and bottom to prevent binding and cocking.
- Designed for a minimum open area equal to 110% of the pipe size.
- All sizes feature discs, which lift 1/3 of an inch from their seats for every 1" of pipe size.
- The disc will open with less than a 1/2 pound per square inch pressure.
- Epoxy coating is standard.
- Optional soft seat provides bubble tight shut off.
- Field serviceable without the need for special tools.

INSTALLATION

The Style CW is used in both vertical and horizontal applications. Contact Keckley for downward vertical flow installations.

ORDERING

Reference page **C2** for the Keckley Check Valve Product Numbers.

WORKING PRESSURES – NON SHOCK

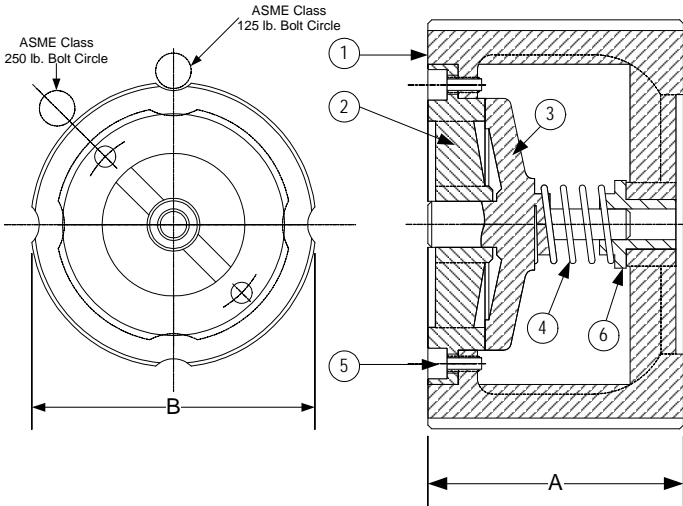
NOM. RATING	BODY MATERIAL	MEDIA	2" to 12"
125#	CAST IRON (ASTM A 126, CLASS B)	W.O.G.	200 PSI @ 150°F
NOM. RATING	BODY MATERIAL	MEDIA	2" to 6"
250#	CAST IRON (ASTM A 126, CLASS B)	W.O.G.	400 PSI @ 150°F
NOM. RATING	BODY MATERIAL	MEDIA	2" to 12"
150#	CARBON STEEL (ASTM A 216, GRADE WCB)	W.O.G.	285 PSI @ 100°F
	STAINLESS STEEL (ASTM A 351, GRADE CF8M)	W.O.G.	275 PSI @ 100°F
NOM. RATING	BODY MATERIAL	MEDIA	2" to 6"
300#	CARBON STEEL (ASTM A 216, GRADE WCB)	W.O.G.	740 PSI @ 100°F
	STAINLESS STEEL (ASTM A 351, GRADE CF8M)	W.O.G.	720 PSI @ 100°F



TECHNICAL DATA
DIMENSIONS AND WEIGHTS

Style CW

Wafer Silent Check Valve, 125 lb. / 250 lb.
 Sizes 2" – 6" 125/250 lb. dual rated, 8" – 12" 125 lb. rated.
 Cast Iron (ASTM A 126, Class B)



PARTS LIST		
ITEM	DESCRIPTION	MATERIAL
1	BODY	Cast Iron (ASTM A 126, Class B)
2	SEAT	Cast Stainless Steel (ASTM A 351, Grade CF8)
3	DISC	Cast Stainless Steel (ASTM A 351, Grade CF8)
4	SPRING	Stainless Steel (ASTM A 182, 304)
5	SCREW	Carbon Steel (ASTM A 307, B)
6	BUSHING	Stainless Steel (ASTM A 182, 304)

Above "Standard" Product Number - CW1F-CI-34334 (125# Class)
 Other Options – Reference C2 for available materials.

SIZE		DIMENSIONS				WEIGHTS		Bolt Diameters	
		A		B					
		in	mm	in	mm	in	mm	lbs	kgs
2	50	4-1/4	108	2-5/8	67	5	2	5/8"	3/4"
2-1/2	65	5	127	2-7/8	73	8	4	5/8"	3/4"
3	80	5-3/4	146	3-1/8	79	10	5	5/8"	3/4"
4	100	7	178	4	102	18	8	5/8"	3/4"
5	125	8-3/8	213	4-5/8	117	29	13	3/4"	3/4"
6	150	9-3/4	248	5-9/16	141	42	19	3/4"	3/4"
8	200	13-1/2	343	6-1/2	165	85	39	7/8"	1"
10	250	16	406	8-1/4	210	160	73	7/8"	1"
12	300	19-1/4	489	11-1/4	286	340	154	7/8"	1-1/8"

†This table reflects only the nearest metric equivalents.

APPLICABLE STANDARDS

• Design ASME B16.1	• MSS SP – 6
• Testing API 598	• MSS SP – 25
	• MSS SP – 55

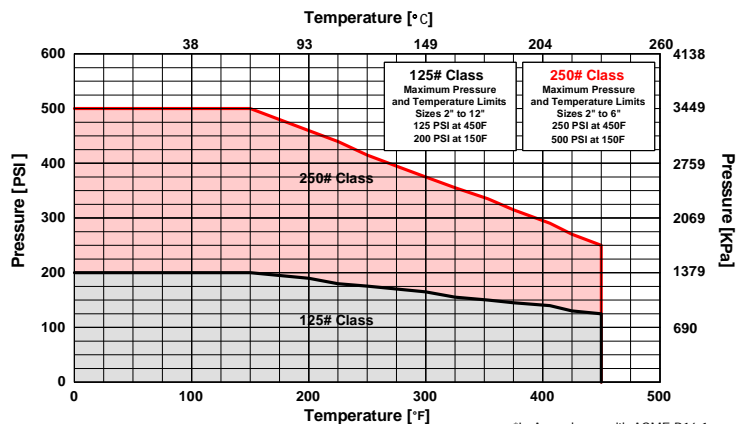
Seat Material	Operating Temperature*	
	°F	°C
Buna – N	-20 to 250	-29 to 121
Viton	-20 to 400	-29 to 204
EPDM	-40 to 300	-40 to 149

*Subject to limitations of body material.

FLOW COEFFICIENTS

Size	2"	2½"	3"	4"	5"
C _v	57	89	132	208	294
Size	6"	8"	10"	12"	
C _v	426	715	1225	1800	

PRESSURE vs. TEMPERATURE CHART
 125# & 250# Flanged Cast Iron (ASTM A126, Class B)



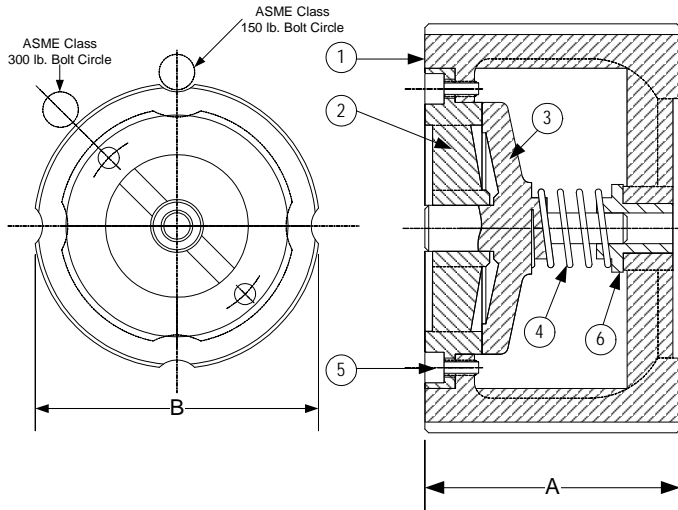
*In Accordance with ASME B16.1



TECHNICAL DATA
DIMENSIONS AND WEIGHTS

Style CW

Wafer Silent Check Valve, 150 lb. / 300 lb.
Sizes 2" – 6" 150/300 lb. dual rated, 8" – 12" 150 lb. rated.
Carbon Steel (ASTM A 216, Grade WCB)



PARTS LIST

ITEM	DESCRIPTION	MATERIAL
1	BODY	Cast Carbon Steel (ASTM A 216, Grade WCB)
2	SEAT	Cast Stainless Steel (ASTM A 351, Grade CF8M)
3	DISC	Cast Stainless Steel (ASTM A 351, Grade CF8M)
4	SPRING	Stainless Steel (ASTM A 182, 316)
5	SCREW	Stainless Steel (ASTM A 182, 316)
6	BUSHING	Stainless Steel (ASTM A 182, 316)

Above "Standard" Product Number - CW2R-CS-36336 (150# Class)
 Other Options – Reference C2 for other materials.

SIZE		DIMENSIONS				WEIGHTS	
		A		B			
		150#		150#			
in	mm	in	mm	in	mm	lbs	kgs
2	50	4-1/4	108	2-5/8	67	5	2
2-1/2	65	5	127	2-7/8	73	8	4
3	80	5-3/4	146	3-1/8	79	10	5
4	100	7	178	4	102	18	8
5	125	8-3/8	213	4-5/8	117	29	13
6	150	9-3/4	248	5-9/16	141	42	19
8	200	13-1/2	343	6-1/2	165	85	39
10	250	16	406	8-1/4	210	160	73
12	300	19-1/4	489	11-1/4	286	340	154

†This table reflects only the nearest metric equivalents.

APPLICABLE STANDARDS

<ul style="list-style-type: none"> Design ASME B16.5, B16.34 Testing API 598 	<ul style="list-style-type: none"> MSS SP – 6 MSS SP – 25 MSS SP – 55
--	--

Seat Material	Operating Temperature*	
	°F	°C
	Buna – N	-20 to 250
Viton	-20 to 400	-29 to 204
EPDM	-40 to 300	-40 to 149

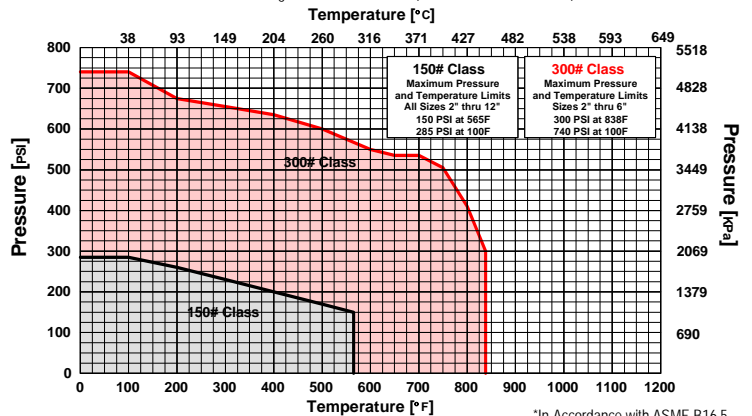
*Subject to limitations of body material.

FLOW COEFFICIENTS

Size	2"	2½"	3"	4"	5"
C _v	57	89	132	208	294
Size	6"	8"	10"	12"	
C _v	426	715	1225	1800	

PRESSURE vs. TEMPERATURE CHART

150# & 300# Flanged Cast Carbon Steel (ASTM A 216, Grade WCB)



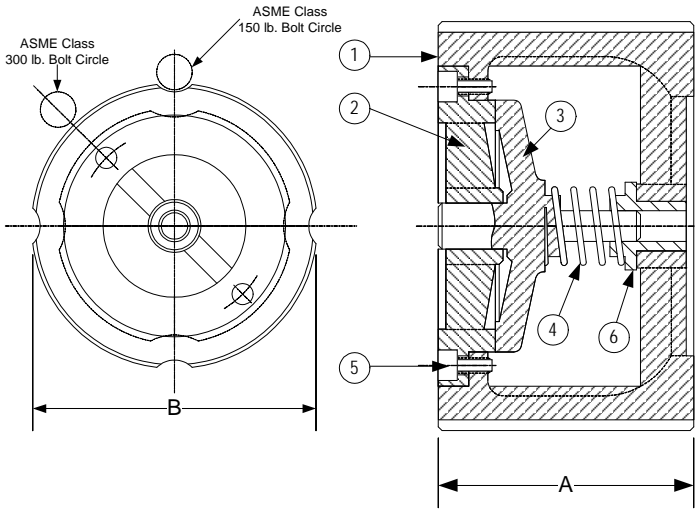
*In Accordance with ASME B16.5



TECHNICAL DATA
DIMENSIONS AND WEIGHTS

Style CW

Wafer Silent Check Valve, 150 lb. / 300 lb.
Sizes 2" – 6" 150/300 lb. dual rated, 8" – 12" 150 lb. rated.
Stainless Steel (ASTM A 351, Grade CF8M)



PARTS LIST		
ITEM	DESCRIPTION	MATERIAL
1	BODY	Cast Stainless Steel (ASTM A 351, Grade CF8M)
2	SEAT	Cast Stainless Steel (ASTM A 351, Grade CF8M)
3	DISC	Cast Stainless Steel (ASTM A 351, Grade CF8M)
4	SPRING	Stainless Steel (ASTM A 182, 316)
5	SCREW	Stainless Steel (ASTM A 182, 316)
6	BUSHING	Stainless Steel (ASTM A 182, 316)

Above "Standard" Product Number - CW2R-36-36336 (150# Class)
 Other Options – Reference C2 for other materials.

SIZE		DIMENSIONS				WEIGHTS	
		A		B			
		in	mm	in	mm	in	mm
2	50	4-1/4	108	2-5/8	67	5	2
2-1/2	65	5	127	2-7/8	73	8	4
3	80	5-3/4	146	3-1/8	79	10	5
4	100	7	178	4	102	18	8
5	125	8-3/8	213	4-5/8	117	29	13
6	150	9-3/4	248	5-9/16	141	42	19
8	200	13-1/2	343	6-1/2	165	85	39
10	250	16	406	8-1/4	210	160	73
12	300	19-1/4	489	11-1/4	286	340	154

† This table reflects only the nearest metric equivalents.

APPLICABLE STANDARDS

<ul style="list-style-type: none"> Design ASME B16.5, B16.34 Testing API 598 	<ul style="list-style-type: none"> MSS SP – 6 MSS SP – 25 MSS SP – 55
--	--

Seat Material	Operating Temperature*	
	°F	°C
Viton	-20 to 400	-29 to 204
EPDM	-40 to 300	-40 to 149

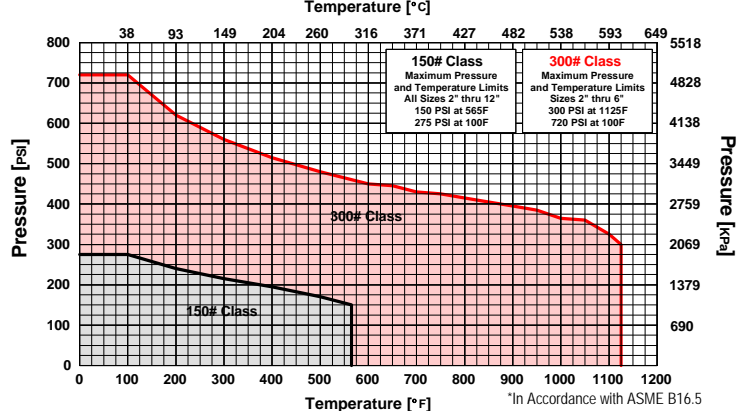
*Subject to limitations of body material.

FLOW COEFFICIENTS

Size	2"	2½"	3"	4"	5"
Cv	57	89	132	208	294
Size	6"	8"	10"	12"	
Cv	426	715	1225	1800	

PRESSURE vs. TEMPERATURE CHART

150# & 300# Flanged Cast 316 Stainless Steel (ASTM A 351, Grade CF8M)





Style CG

Cast Iron (ASTM A 126, Class B)

125 lb. & 250 lb. Flanged

Carbon Steel (ASTM A 216, Grade WCB)

150 lb. & 300 lb. Flanged

Stainless Steel (ASTM A 351, Grade CF8M)

150 lb. & 300 lb. Flanged



Globe Silent Check Valve

APPLICATIONS

Liquid or gas where protection from flow reversal in a pipeline is required.

CONSTRUCTION

The Keckley Style CG Globe Silent Check Valves are constructed from rugged castings that are machined to exacting specifications. Their bodies have drilled flanges that are in accordance with ASME. Reference individual technical data pages for standard disc, seat, guide pins, and bushings.

FEATURES

- A spring automatically closes the disc at zero flow, which prevents flow reversal and water hammer.
- The seat and disc's mating surfaces are hand lapped.
- The disc is fully guided at the top and bottom to prevent binding and cocking.
- Designed for a minimum open area equal to 110% of the pipe size.
- All sizes feature discs, which lift 1/3 of an inch from their seats for every 1" of pipe size.
- The disc will open with less than a 1/2 pound per square inch pressure.
- Epoxy coating is standard.
- Optional soft seat provides bubble tight shut off.
- Field serviceable without the need for special tools.

INSTALLATION

The Style CG is used in both vertical and horizontal applications. Contact Keckley for downward vertical flow installations.

ORDERING

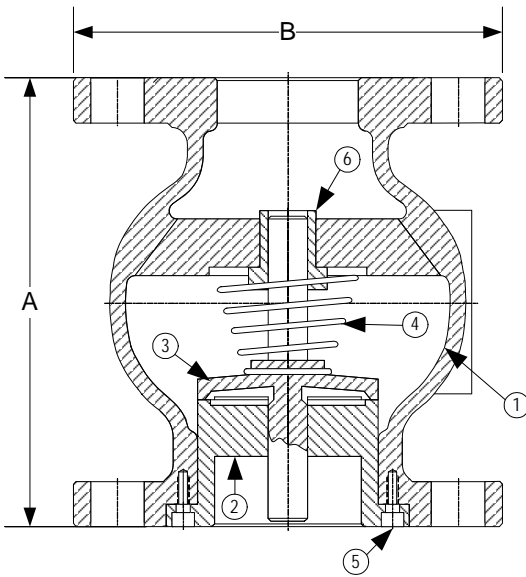
Reference page [C2](#) for Keckley Check Valve Product Numbers.

WORKING PRESSURES – NON SHOCK

NOM. RATING	BODY MATERIAL	MEDIA	2" to 12"	14" to 24"
125# Flange	Cast Iron (ASTM A 126, Class B)	W.O.G.	200 PSI @ 150°F	150 PSI @ 150°F
250# Flange	Cast Iron (ASTM A 126, Class B)	W.O.G.	500 PSI @ 150°F	300 PSI @ 150°F
150# Flange	Carbon Steel (ASTM A 216, Grade WCB)	W.O.G.	285 PSI @ 100°F	
	Stainless Steel (ASTM A 351, Grade CF8M)	W.O.G.	275 PSI @ 100°F	
300# Flange	Carbon Steel (ASTM A 216, Grade WCB)	W.O.G.	740 PSI @ 100°F	
	Stainless Steel (ASTM A 351, Grade CF8M)	W.O.G.	720 PSI @ 100°F	



TECHNICAL DATA
DIMENSIONS AND WEIGHTS



Style CG

Globe Silent Check Valve, 125 lb. & 250 lb. Flanged Cast Iron (ASTM A 126, Class B)

PARTS LIST		
ITEM	DESCRIPTION	MATERIAL
1	BODY	Cast Iron (ASTM A 126, Class B)
2	SEAT	Cast Stainless Steel (ASTM A 351, Grade CF8)
3	DISC	Cast Stainless Steel (ASTM A 351, Grade CF8)
4	SPRING	Stainless Steel (ASTM A 182, 304)
5	SCREW	Carbon Steel (ASTM A 307, B)
6	BUSHING	Stainless Steel (ASTM A 182, 304)

Above "Standard" Product Number - CG1F-CI-34334 (125# Class)

Above "Standard" Product Number - CG3F-CI-34334 (250# Class)

Other Options - Reference C2 for available materials

SIZE		DIMENSIONS								WEIGHTS			
		A				B				125#		250#	
		125#	250#	125#	250#	125#	250#	125#	250#	lbs	kgs	lbs	kgs
in	mm	in	mm	in	mm	in	mm	in	mm	lbs	kgs	lbs	kgs
2	50	6-1/4	159	6-3/4	171	6	152	6-1/2	165	22	10	26	12
2-1/2	65	7	178	7-5/8	194	7	178	7-1/2	191	25	11	30	14
3	80	7-1/2	191	8-1/4	210	7-1/2	191	8-1/4	210	33	15	45	20
4	100	8-1/2	216	9-1/8	232	9	229	10	254	58	26	75	34
5	125	9-1/2	241	10-3/8	264	10	254	11	279	75	34	135	61
6	150	10-1/2	267	11-3/8	289	11	279	12-1/2	318	96	44	146	66
8	200	13-1/2	343	14	356	13-1/2	1664	15	381	180	82	245	111
10	250	16-1/4	413	17	432	16	406	17-1/2	445	270	122	370	168
12	300	20-1/4	514	20-7/8	530	19	483	20-1/2	521	455	206	675	306
14	350	22-3/4	578	23-3/8	594	21	533	23	584	600	272	770	349
16	400	24-3/4	629	25-5/8	651	23-1/2	597	25-1/2	648	844	383	1005	456
18	450	22-1/2	572	24-1/8	613	25	635	28	711	900	408	1240	562
20	500	24	610	25-5/8	651	27-17/32	699	30-1/2	775	1145	519	1780	807
24	600	24	610	24-7/8	632	32	813	36	914	1550	703	2550	1157

Larger sizes available upon request.

†This table reflects only the nearest metric equivalents.

APPLICABLE STANDARDS

<ul style="list-style-type: none"> Design ASME B16.1 Testing API 598 	<ul style="list-style-type: none"> MSS SP - 6 MSS SP - 25 MSS SP - 55
--	--

Seat Material	Operating Temperature*	
	°F	°C
Buna - N	-20 to 250	-29 to 121
Viton	-20 to 400	-29 to 204
EPDM	-40 to 300	-40 to 149

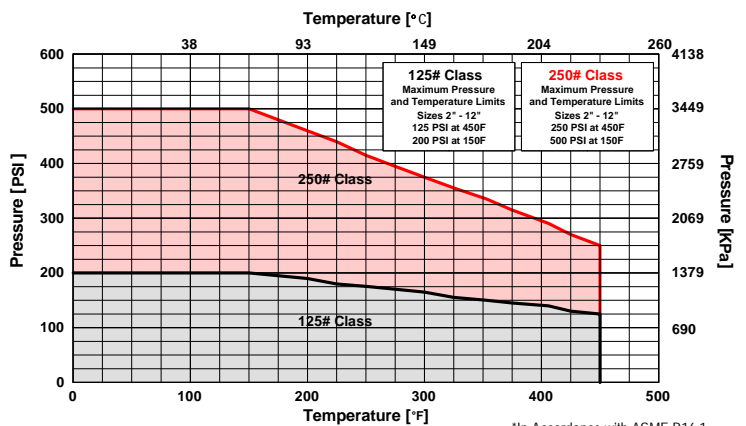
*Subject to limitations of body material.

FLOW COEFFICIENTS

Size	2"	2½"	3"	4"	5"	6"	8"
Cv	62	103	146	259	407	597	1095
Size	10"	12"	14"	16"	18"	20"	24"
Cv	1710	2450	3250	4125	4910	6225	9625

PRESSURE vs. TEMPERATURE CHART

125# & 250# Flanged Cast Iron (ASTM A126, Class B)



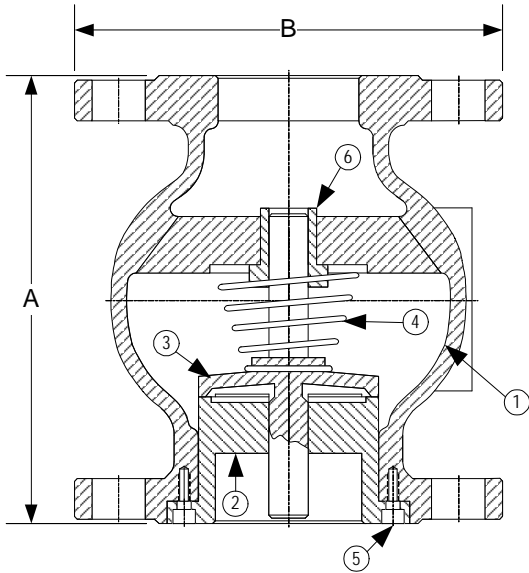
*In Accordance with ASME B16.1



TECHNICAL DATA
DIMENSIONS AND WEIGHTS

Style CG

Globe Silent Check Valve, 150 lb. & 300 lb. Flanged Carbon Steel (ASTM A 216, Grade WCB)



PARTS LIST

ITEM	DESCRIPTION	MATERIAL
1	BODY	Cast Carbon Steel (ASTM A 216, Grade WCB)
2	SEAT	Cast Stainless Steel (ASTM A 351, Grade CF8M)
3	DISC	Cast Stainless Steel (ASTM A 351, Grade CF8M)
4	SPRING	Stainless Steel (ASTM A 182, 316)
5	SCREW	Stainless Steel (ASTM A 182, 316)
6	BUSHING	Stainless Steel (ASTM A 182, 316)

Above "Standard" Product Number - CG2R-CS-36336 (150# Class)

Above "Standard" Product Number - CG4R-CS-36336 (300# Class)

Other Options - Reference C2 for available materials

SIZE		DIMENSIONS								WEIGHTS			
		A				B				150#		300#	
		150#	300#	150#	300#	150#	300#	150#	300#	lbs	kgs	lbs	kgs
in	mm	in	mm	in	mm	in	mm	in	mm				
2	50	6-1/4	159	6-11/16	170	6	152	6-1/2	165	20	9	24	11
2-1/2	65	7	178	7-9/16	192	7	178	7-1/2	191	26	12	31	14
3	80	7-1/2	191	8-1/4	210	7-1/2	191	8-1/4	210	32	15	44	20
4	100	8-1/2	216	9-1/8	232	9	229	10	254	52	24	74	34
5	125	9-1/2	241	10-3/8	264	10	254	11	279	65	29	105	48
6	150	10-1/2	267	11-3/8	289	11	279	12-1/2	318	84	38	134	61
8	200	12	305	13	330	13-1/2	343	15	381	156	71	230	104
10	250	14	356	15-3/8	391	16	406	17-1/2	445	250	113	344	156
12	300	18	457	19-1/2	495	19	483	20-1/2	521	400	181	520	236
14	350	19-1/2	495	21	533	21	533	23	584	580	263	725	329
16	400	21	533	22-5/8	575	23-1/2	597	25-1/2	648	850	386	1000	454
18	450	22-1/2	572	24-1/8	613	25	635	28	711	1100	499	1350	612
20	500	24	610	25-5/8	651	27-1/2	699	30-1/2	775	1450	658	1775	805
24	600	24	610	--	--	32	813	--	--			--	--

Larger sizes available upon request.

†This table reflects only the nearest metric equivalents.

APPLICABLE STANDARDS

• Design ASME B16.5, B16.34	• MSS SP - 6
• Testing API 598	• MSS SP - 25
	• MSS SP - 55

Seat Material	Operating Temperature*	
	°F	°C
Buna - N	-20 to 250	-29 to 121
Viton	-20 to 400	-29 to 204
EPDM	-40 to 300	-40 to 149

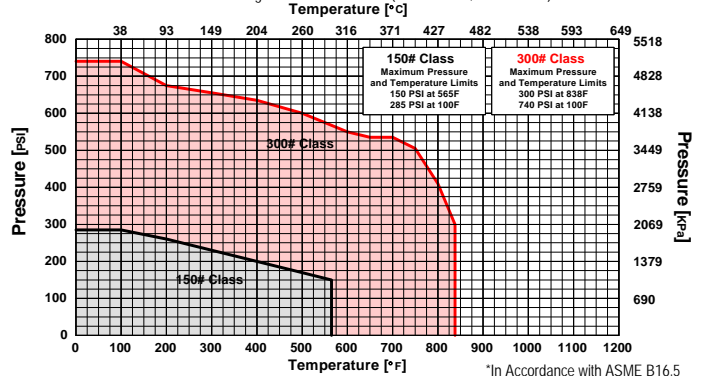
*Subject to limitations of body material.

FLOW COEFFICIENTS

Size	2"	2½"	3"	4"	5"	6"	8"
C _v	62	103	146	259	407	597	1095
Size	10"	12"	14"	16"	18"	20"	24"
C _v	1710	2450	3250	4125	4910	6225	9625

PRESSURE vs. TEMPERATURE CHART

150# & 300# Flanged Cast Carbon Steel (ASTM A 216, Grade WCB)

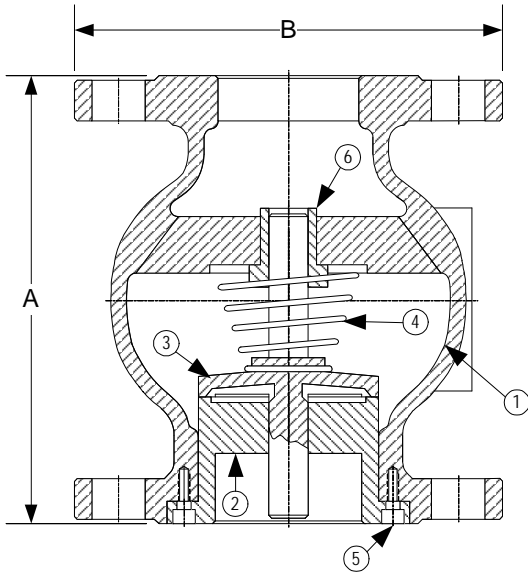




TECHNICAL DATA
DIMENSIONS AND WEIGHTS

Style CG

Globe Silent Check Valve, 150 lb. & 300 lb. Flanged Stainless Steel (ASTM A 351, Grade CF8M)



PARTS LIST		
ITEM	DESCRIPTION	MATERIAL
1	BODY	Cast Stainless Steel (ASTM A 351, Grade CF8M)
2	SEAT	Cast Stainless Steel (ASTM A 351, Grade CF8M)
3	DISC	Cast Stainless Steel (ASTM A 351, Grade CF8M)
4	SPRING	Stainless Steel (ASTM A 182, 316)
5	SCREW	Stainless Steel (ASTM A 182, 316)
6	BUSHING	Stainless Steel (ASTM A 182, 316)

Above "Standard" Product Number - CG2R-36-36336 (150# Class)

Above "Standard" Product Number - CG4R-36-36336 (300# Class)

Other Options - Reference C2 for available materials

SIZE		DIMENSIONS								WEIGHTS			
		A				B				150#		300#	
		150#		300#		150#		300#		150#		300#	
in	mm	in	mm	in	mm	in	mm	in	mm	lbs	kgs	lbs	kgs
2	50	6-1/4	159	6-11/16	170	6	152	6-1/2	165	20	9	24	11
2-1/2	65	7	178	7-9/16	192	7	178	7-1/2	191	26	12	31	14
3	80	7-1/2	191	8-1/4	210	7-1/2	191	8-1/4	210	32	15	44	20
4	100	8-1/2	216	9-1/8	232	9	229	10	254	52	24	74	34
5	125	9-1/2	241	10-3/8	264	10	254	11	279	65	29	105	48
6	150	10-1/2	267	11-3/8	289	11	279	12-1/2	318	84	38	134	61
8	200	12	305	13	330	13-1/2	343	15	381	156	71	230	104
10	250	14	356	15-3/8	391	16	406	17-1/2	445	250	113	344	156
12	300	18	457	19-1/2	495	19	483	20-1/2	521	400	181	520	236
14	350	19-1/2	495	21	533	21	533	23	584	580	263	725	329
16	400	21	533	22-5/8	575	23-1/2	597	25-1/2	648	850	386	1000	454
18	450	22-1/2	572	24-1/8	613	25	635	28	711	1100	499	1350	612
20	500	24	610	25-5/8	651	27-1/2	699	30-1/2	775	1450	658	1775	805
24	600	24	610	--	--	32	813	--	--	--	--	--	--

Larger sizes available upon request.

†This table reflects only the nearest metric equivalents.

APPLICABLE STANDARDS

• Design ASME B16.5, B16.34	• MSS SP - 6
• Testing API 598	• MSS SP - 25
	• MSS SP - 55

Seat Material	Operating Temperature*	
	°F	°C
Viton	-20 to 400	-29 to 204
EPDM	-40 to 300	-40 to 149

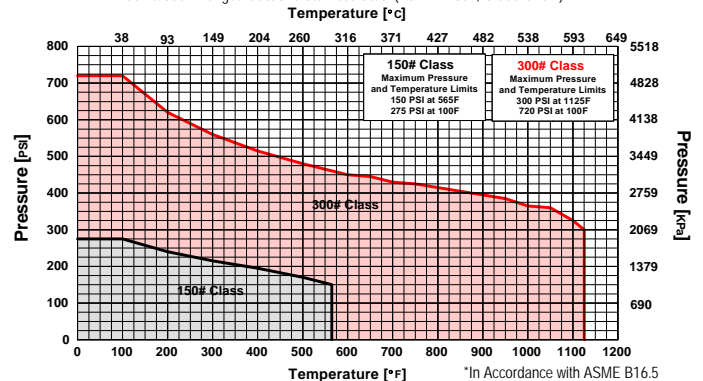
*Subject to limitations of body material.

FLOW COEFFICIENTS

Size	2"	2½"	3"	4"	5"	6"	8"
C _v	62	103	146	259	407	597	1095
Size	10"	12"	14"	16"	18"	20"	24"
C _v	1710	2450	3250	4125	4910	6225	9625

PRESSURE vs. TEMPERATURE CHART

150# & 300# Flanged Cast 316 Stainless Steel (ASTM A 351, Grade CF8M)



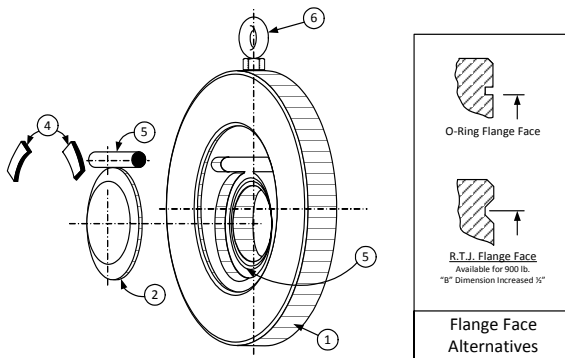
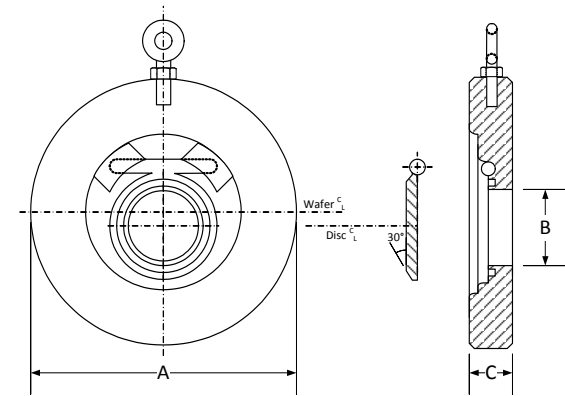


TECHNICAL DATA
DIMENSIONS AND WEIGHTS

Style SP & Style LP

Short Pattern & Long Pattern
Wafer Check Valve, 150 lb.

Bronze



PARTS LIST		
ITEM	DESCRIPTION	MATERIAL
1	Body	Bronze
2	Disc	Bronze
3	Hinge pin	Stainless Steel (302)
4	Pin retainer	Stainless Steel (302)
5	O-ring	Viton
6	Eye bolt w/ hex nut	Carbon Steel (ASTM A 105)

Above "Standard" Product Number for Short Pattern- SP2R-B6-B64

Above "Standard" Product Number for Long Pattern- LP2R-B6-B64

Other Options - Reference C2 for available materials.

Specify application and conditions so proper material grade can be supplied.

SIZE		DIMENSIONS								WEIGHTS			
		A		B		C				Short		Long	
		Short & Long		Short & Long		Short		Long		lbs	kgs	lbs	kgs
in	mm	in	mm	in	mm	in	mm	in	mm				
1-1/2	40	3-3/8	86	7/8	22	13/16	21	2-3/8	60	3	1	10	5
2	50	4-1/8	105	1-1/8	29	3/4	19	2-3/8	60	3	1	10	5
2-1/2	65	4-7/8	124	1-3/8	35	3/4	19	2-5/8	67	4	2	13	6
3	80	5-3/8	137	1-3/4	44	3/4	19	2-7/8	73	5	2	15	7
4	100	6-7/8	175	2-5/8	67	3/4	19	2-7/8	73	6	3	20	9
6	150	8-3/4	222	4-5/8	117	1	25	3-7/8	98	12	5	48	22
8	200	11	279	6	152	1-1/8	29	5	127	24	11	100	45
10	250	13-3/8	340	7-3/4	197	1-1/8	29	5-3/4	146	32	15	160	73
12	300	16-1/8	410	9-1/2	241	1-1/2	38	7-1/8	181	62	28	215	98
14	350	17-3/4	451	10-1/2	267	1-3/4	44	7-1/4	184	TBA	TBA	TBA	TBA
16	400	20-1/4	514	12-1/2	318	2	51	7-1/2	191	TBA	TBA	TBA	TBA
18	450	21-5/8	549	14	356	2-1/4	57	8	203	TBA	TBA	TBA	TBA
20	500	23-7/8	606	16	406	2-1/2	64	8-3/4	222	TBA	TBA	TBA	TBA
24	600	28-1/4	718	19-1/4	489	2-3/4	70	8-3/4	222	TBA	TBA	TBA	TBA
30	750	34-3/4	883	24	610	3	76	-	-	TBA	TBA	TBA	TBA
36	900	41-1/4	1048	28-3/4	730	3-1/2	89	14	356	TBA	TBA	TBA	TBA
42	1050	48	1219	33-1/2	851	4-1/4	108	-	-	TBA	TBA	TBA	TBA
60	1500	68-3/8	1737	47-3/4	1213	6	152	-	-	TBA	TBA	TBA	TBA

Certified dimensional drawings are available upon request.

*This table reflects only the nearest metric equivalents.

Seat Material	Operating Temperature**	
	°F	°C
Buna-N	-20 to 250	-29 to 121
Viton	-20 to 400	-29 to 204
EPDM	-40 to 300	-40 to 149

**Subject to limitations of body material.



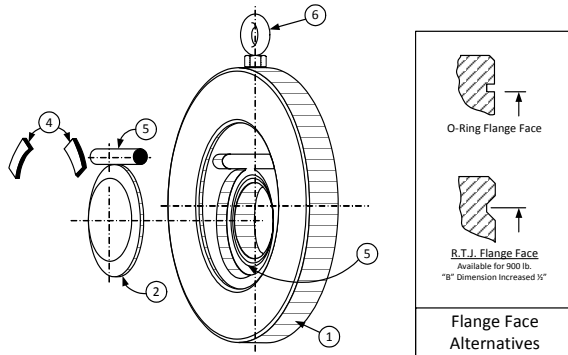
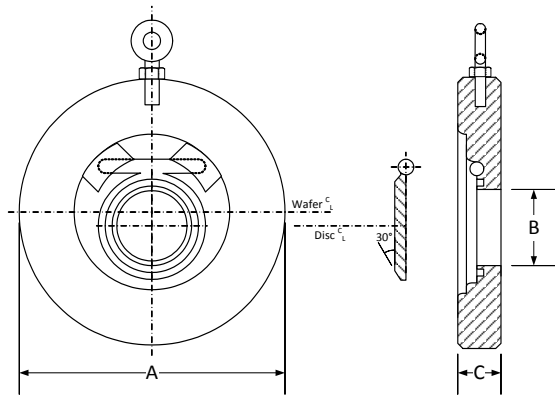
TECHNICAL DATA
DIMENSIONS AND WEIGHTS

Style SP & Style LP

Short Pattern & Long Pattern

Wafer Check Valve, 300 lb.

Bronze



PARTS LIST		
ITEM	DESCRIPTION	MATERIAL
1	Body	Bronze
2	Disc	Bronze
3	Hinge pin	Stainless Steel (302)
4	Pin retainer	Stainless Steel (302)
5	O-ring	Viton
6	Eye bolt w/ hex nut	Carbon Steel (ASTM A 105)

Above "Standard" Product Number for Short Pattern- SP4R-B6-B64

Above "Standard" Product Number for Long Pattern- LP4R-B6-B64

Other Options - Reference C2 for available materials.

Specify application and conditions so proper material grade can be supplied.

SIZE		DIMENSIONS								WEIGHTS			
		A		B		C		Short		Long			
		Short & Long		Short & Long		Short		Long		Short		Long	
in	mm	in	mm	in	mm	in	mm	in	mm	lbs	kgs	lbs	kgs
2	50	4-3/8	111	1-1/8	29	3/4	19	2-3/8	60	3	1	12	5
2-1/2	65	5-1/8	130	1-3/8	35	3/4	19	2-5/8	67	4	2	15	7
3	80	5-7/8	149	1-3/4	44	3/4	19	2-7/8	73	6	3	18	8
4	100	7-1/8	181	2-5/8	67	3/4	19	2-7/8	73	7	3	25	11
6	150	9-7/8	251	4-5/8	117	7/8	22	3-7/8	98	15	7	58	26
8	200	12-1/8	308	6	152	1-1/8	29	5	127	29	13	120	54
10	250	14-1/4	362	7-3/4	197	1-1/2	38	5-3/4	146	60	27	180	82
12	300	16-5/8	422	9-1/2	241	2	51	7-1/8	181	95	43	235	107
14	350	19-1/8	486	10-1/2	267	2	51	8-3/4	222	TBA	TBA	TBA	TBA
16	400	21-1/4	540	12-1/2	318	2	51	9-1/8	232	TBA	TBA	TBA	TBA
18	450	23-1/2	597	14	356	3	76	10-3/8	264	TBA	TBA	TBA	TBA
20	500	25-3/4	654	16	406	3-1/4	83	11-1/2	292	TBA	TBA	TBA	TBA
24	600	30-1/2	775	19-1/4	489	3-3/4	95	12-1/2	318	TBA	TBA	TBA	TBA
30	750	37-1/2	953	24	610	4-3/4	121	-	-	TBA	TBA	TBA	TBA
36	900	44	1118	28-3/4	730	5-3/4	146	-	-	TBA	TBA	TBA	TBA
42	1050	50-3/4	1289	33-1/2	851	6	152	-	-	TBA	TBA	TBA	TBA

Certified dimensional drawings are available upon request.

†This table reflects only the nearest metric equivalents.

Seat Material	Operating Temperature**	
	°F	°C
Buna-N	-20 to 250	-29 to 121
Viton	-20 to 400	-29 to 204
EPDM	-40 to 300	-40 to 149

**Subject to limitations of body material.

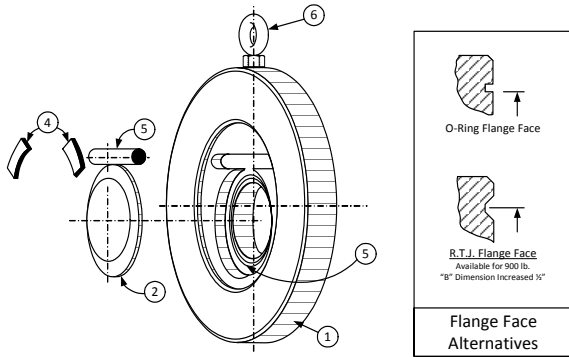
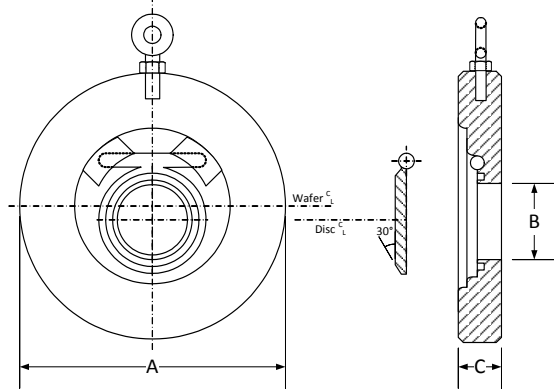


TECHNICAL DATA
DIMENSIONS AND WEIGHTS

Style SP & Style LP

Short Pattern & Long Pattern
Wafer Check Valve, 600 lb.

Bronze



PARTS LIST		
ITEM	DESCRIPTION	MATERIAL
1	Body	Bronze
2	Disc	Bronze
3	Hinge pin	Stainless Steel (302)
4	Pin retainer	Stainless Steel (302)
5	O-ring	Viton
6	Eye bolt w/ hex nut	Carbon Steel (ASTM A 105)

Above "Standard" Product Number for Short Pattern- SP5R-B6-B64

Above "Standard" Product Number for Long Pattern- LP5R-B6-B64

Other Options - Reference C2 for available materials.

Specify application and conditions so proper material grade can be supplied.

SIZE		DIMENSIONS								WEIGHTS			
		A		B		C				Short		Long	
		Short & Long		Short & Long		Short		Long		lbs	kgs	lbs	kgs
in	mm	in	mm	in	mm	in	mm	in	mm				
2	50	4-3/8	111	1	25	3/4	19	2-3/8	60	4	2	12	5
2-1/2	65	5-1/8	130	1-3/8	35	3/4	19	2-5/8	67	6	3	15	7
3	80	5-7/8	149	1-3/4	44	3/4	19	2-7/8	73	7	3	18	8
4	100	7-5/8	194	2-5/8	67	7/8	22	3-1/8	79	12	5	25	11
6	150	10-1/2	267	4	102	1-1/8	29	5-3/8	137	24	11	70	32
8	200	12-5/8	321	5	127	1-1/2	38	6-1/2	165	57	26	160	73
10	250	15-3/4	400	6-7/8	175	2-1/4	57	8-3/8	213	131	59	200	91
12	300	18	457	8-1/2	216	2-3/8	60	9	229	234	106	265	120
14	350	19-3/8	492	9-1/2	241	2-3/8	60	10-3/4	273	TBA	TBA	TBA	TBA
16	400	22-1/4	565	11	279	2-7/8	73	12	305	TBA	TBA	TBA	TBA
18	450	24-1/8	613	12-1/2	318	3-1/8	79	14-1/4	362	TBA	TBA	TBA	TBA
20	500	26-7/8	683	14-1/4	362	3-5/8	92	14-1/2	368	TBA	TBA	TBA	TBA
24	600	31-1/8	791	17-3/8	441	4-1/4	108	-	-	TBA	TBA	TBA	TBA
26	650	34-1/8	867	19	483	4-3/4	121	17-1/4	438	TBA	TBA	TBA	TBA
30	750	38-1/4	972	22	559	5-1/4	133	-	-	TBA	TBA	TBA	TBA
36	900	44-1/2	1130	26-1/2	673	6-1/4	159	-	-	TBA	TBA	TBA	TBA

Certified dimensional drawings are available upon request.

†This table reflects only the nearest metric equivalents.

Seat Material	Operating Temperature**	
	°F	°C
Buna-N	-20 to 250	-29 to 121
Viton	-20 to 400	-29 to 204
EPDM	-40 to 300	-40 to 149

**Subject to limitations of body material.

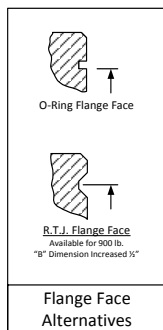
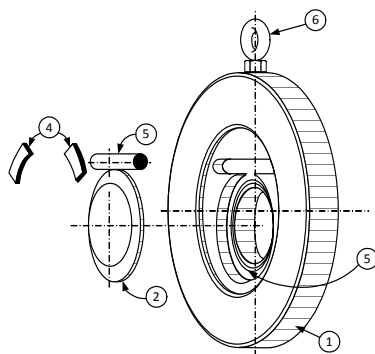
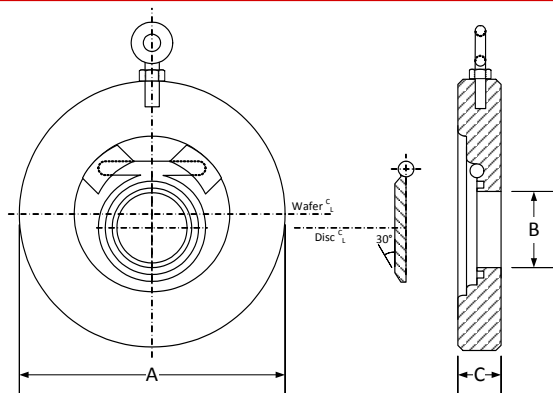


TECHNICAL DATA
DIMENSIONS AND WEIGHTS

Style SP & Style LP

Short Pattern & Long Pattern
Wafer Check Valve, 900 lb.

Bronze



PARTS LIST

ITEM	DESCRIPTION	MATERIAL
1	Body	Bronze
2	Disc	Bronze
3	Hinge pin	Stainless Steel (302)
4	Pin retainer	Stainless Steel (302)
5	O-ring	Viton
6	Eye bolt w/ hex nut	Carbon Steel (ASTM A 105)

Above "Standard" Product Number for Short Pattern- **SP6R-B6-B64**

Above "Standard" Product Number for Long Pattern- **LP6R-B6-B64**

Other Options - Reference **C2** for available materials.

Specify application and conditions so proper material grade can be supplied.

SIZE		DIMENSIONS								WEIGHTS			
		A		B		C		Short		Long			
		Short & Long		Short & Long		Short		Long		Short		Long	
in	mm	in	mm	in	mm	in	mm	in	mm	lbs	kgs	lbs	kgs
2	50	5-5/8	143	1	25	3/4	19	2-3/4	70	4	2	14	6
2-1/2	65	6-1/2	165	1-3/8	35	3/4	19	3-1/4	83	6	3	16	7
3	80	6-5/8	168	1-3/4	44	3/4	19	3-1/4	83	7	3	22	10
4	100	8-1/8	206	2-5/8	67	7/8	22	4	102	12	5	30	14
6	150	11-3/8	289	4	102	1-3/8	35	6-1/4	159	24	11	82	37
8	200	14-1/8	359	5	127	1-3/4	44	8-1/8	206	57	26	188	85
10	250	17-1/8	435	6-7/8	175	2-1/4	57	9-1/2	241	131	59	225	102
12	300	19-5/8	498	8-1/2	216	2-3/8	60	11-1/2	292	234	106	295	134
14	350	20-1/2	521	9-1/2	241	2-3/4	70	14	356	TBA	TBA	TBA	TBA
16	400	22-5/8	575	11	279	3-1/4	83	15-1/8	384	TBA	TBA	TBA	TBA
18	450	25-1/8	638	12-1/2	318	3-3/4	95	17-3/4	451	TBA	TBA	TBA	TBA
20	500	27-1/2	699	14-1/4	362	4-1/4	108	17-3/4	451	TBA	TBA	TBA	TBA
24	600	33	838	17-3/8	441	5-1/4	133	-	-	TBA	TBA	TBA	TBA
26	650	34-3/4	883	19	483	5-3/4	146	19-1/2	495	TBA	TBA	TBA	TBA
30	750	39-3/4	1010	22	559	6-3/4	171	-	-	TBA	TBA	TBA	TBA
36	900	47-1/4	1200	26-1/2	673	8	203	-	-	TBA	TBA	TBA	TBA

Certified dimensional drawings are available upon request.

†This table reflects only the nearest metric equivalents.

Seat Material	Operating Temperature**	
	°F	°C
Buna-N	-20 to 250	-29 to 121
Viton	-20 to 400	-29 to 204
EPDM	-40 to 300	-40 to 149

**Subject to limitations of body material.



TECHNICAL DATA
DIMENSIONS AND WEIGHTS

Style SP & Style LP

Short Pattern & Long Pattern
Wafer Check Valve, 1500 lb.

Bronze

PARTS LIST

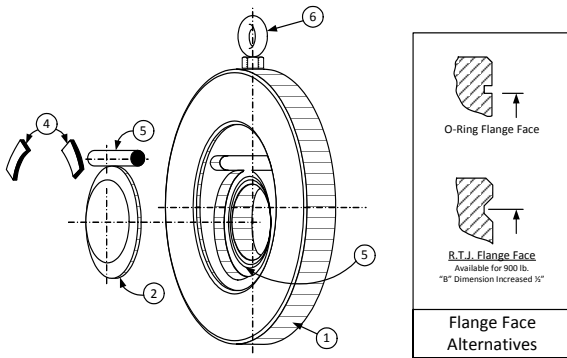
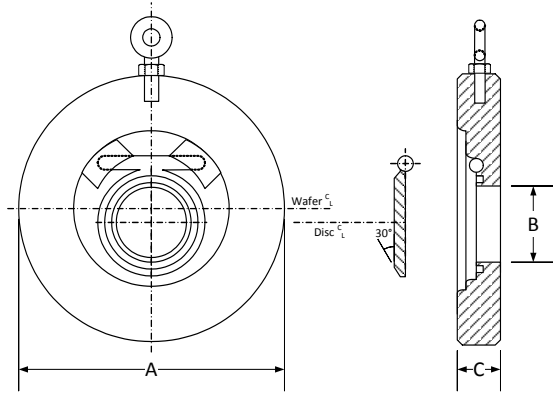
ITEM	DESCRIPTION	MATERIAL
1	Body	Bronze
2	Disc	Bronze
3	Hinge pin	Stainless Steel (302)
4	Pin retainer	Stainless Steel (302)
5	O-ring	Viton
6	Eye bolt w/ hex nut	Carbon Steel (ASTM A 105)

Above "Standard" Product Number for Short Pattern- SP7R-B6-B64

Above "Standard" Product Number for Long Pattern- LP7R-B6-B64

Other Options - Reference C2 for available materials.

Specify application and conditions so proper material grade can be supplied.



SIZE		DIMENSIONS								WEIGHTS			
		A				B				C			
		Short & Long		Short & Long		Short		Long		Short		Long	
in	mm	in	mm	in	mm	in	mm	in	mm	lbs	kgs	lbs	kgs
1-1/2	40	3-7/8	98	7/8	22	3/4	19	2-3/4	70	4	2	14	6
2	50	5-5/8	143	1	25	3/4	19	2-3/4	70	4	2	14	6
3	80	6-7/8	175	1-3/4	44	7/8	22	3-1/4	83	9	4	24	11
4	100	8-1/4	210	2-1/4	57	1-1/4	32	4	102	19	9	35	16
6	150	11-1/8	283	3-3/4	95	1-3/4	44	6-1/4	159	49	22	92	42
8	200	13-7/8	352	4-3/4	121	2-1/4	57	8-1/8	206	74	34	195	88
10	250	17-1/8	435	6-3/4	171	2-7/8	73	9-3/4	248	158	72	245	111
12	300	20-1/2	521	8-1/2	216	3-3/8	86	12	305	255	116	330	150

Certified dimensional drawings are available upon request.

†This table reflects only the nearest metric equivalents.

Seat Material	Operating Temperature**	
	°F	°C
Buna-N	-20 to 250	-29 to 121
Viton	-20 to 400	-29 to 204
EPDM	-40 to 300	-40 to 149

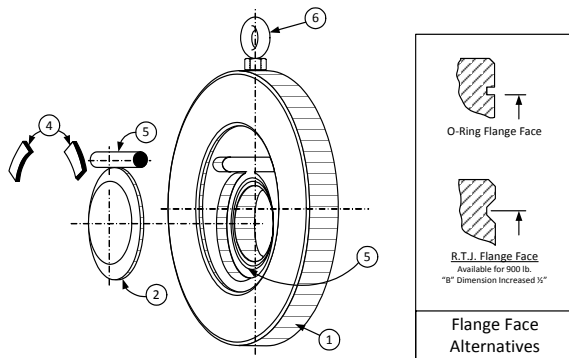
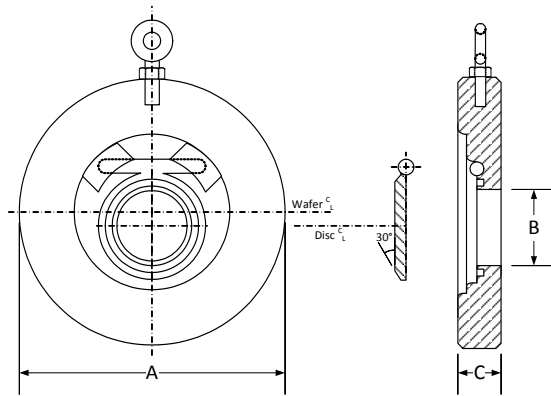
**Subject to limitations of body material.



TECHNICAL DATA
DIMENSIONS AND WEIGHTS

Style SP & Style LP

Short Pattern & Long Pattern
Wafer Check Valve, 150 lb.
Carbon Steel (ASTM A 36)



PARTS LIST		
ITEM	DESCRIPTION	MATERIAL
1	Body	Carbon Steel (ASTM A 36)
2	Disc	Stainless Steel (316)
3	Hinge pin	Stainless Steel (302)
4	Pin retainer	Stainless Steel (302)
5	O-ring	Viton
6	Eye bolt w/ hex nut	Carbon Steel (ASTM A 105)

Above "Standard" Product Number for Short Pattern- SP2R-CS-364

Above "Standard" Product Number for Long Pattern- LP2R-CS-364

Other Options - Reference C2 for available materials.

Specify application and conditions so proper material grade can be supplied.

SIZE		DIMENSIONS								WEIGHTS			
		A		B		C		Short		Long			
		Short & Long		Short & Long		Short		Long		Short		Long	
in	mm	in	mm	in	mm	in	mm	in	mm	lbs	kgs	lbs	kgs
1-1/2	40	3-3/8	86	7/8	22	13/16	21	2-3/8	60	3	1	10	5
2	50	4-1/8	105	1-1/8	29	3/4	19	2-3/8	60	3	1	10	5
2-1/2	65	4-7/8	124	1-3/8	35	3/4	19	2-5/8	67	4	2	13	6
3	80	5-3/8	137	1-3/4	44	3/4	19	2-7/8	73	5	2	15	7
4	100	6-7/8	175	2-5/8	67	3/4	19	2-7/8	73	6	3	20	9
6	150	8-3/4	222	4-5/8	117	1	25	3-7/8	98	12	5	48	22
8	200	11	279	6	152	1-1/8	29	5	127	24	11	100	45
10	250	13-3/8	340	7-3/4	197	1-1/8	29	5-3/4	146	32	15	160	73
12	300	16-1/8	410	9-1/2	241	1-1/2	38	7-1/8	181	62	28	215	98
14	350	17-3/4	451	10-1/2	267	1-3/4	44	7-1/4	184	TBA	TBA	TBA	TBA
16	400	20-1/4	514	12-1/2	318	2	51	7-1/2	191	TBA	TBA	TBA	TBA
18	450	21-5/8	549	14	356	2-1/4	57	8	203	TBA	TBA	TBA	TBA
20	500	23-7/8	606	16	406	2-1/2	64	8-3/4	222	TBA	TBA	TBA	TBA
24	600	28-1/4	718	19-1/4	489	2-3/4	70	8-3/4	222	TBA	TBA	TBA	TBA
30	750	34-3/4	883	24	610	3	76	-	-	TBA	TBA	TBA	TBA
36	900	41-1/4	1048	28-3/4	730	3-1/2	89	14	356	TBA	TBA	TBA	TBA
42	1050	48	1219	33-1/2	851	4-1/4	108	-	-	TBA	TBA	TBA	TBA
60	1500	68-3/8	1737	47-3/4	1213	6	152	-	-	TBA	TBA	TBA	TBA

Certified dimensional drawings are available upon request.

†This table reflects only the nearest metric equivalents.

Seat Material	Operating Temperature**	
	°F	°C
Buna-N	-20 to 250	-29 to 121
Viton	-20 to 400	-29 to 204
EPDM	-40 to 300	-40 to 149

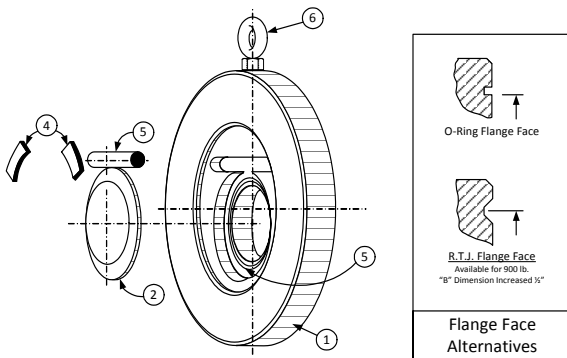
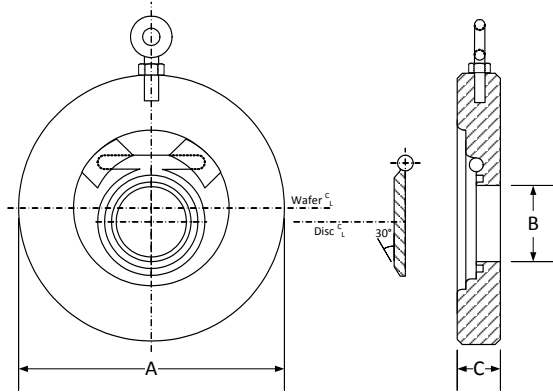
**Subject to limitations of body material.



TECHNICAL DATA
DIMENSIONS AND WEIGHTS

Style SP & Style LP

Short Pattern & Long Pattern
Wafer Check Valve, 300 lb.
Carbon Steel (ASTM A 36)



PARTS LIST		
ITEM	DESCRIPTION	MATERIAL
1	Body	Carbon Steel (ASTM A 36)
2	Disc	Stainless Steel (316)
3	Hinge pin	Stainless Steel (302)
4	Pin retainer	Stainless Steel (302)
5	O-ring	Viton
6	Eye bolt w/ hex nut	Carbon Steel (ASTM A 105)

Above "Standard" Product Number for Short Pattern- SP4R-CS-364

Above "Standard" Product Number for Long Pattern- LP4R-CS-364

Other Options - Reference C2 for available materials.

Specify application and conditions so proper material grade can be supplied.

SIZE		DIMENSIONS								WEIGHTS			
		A		B		C				Short		Long	
		Short & Long		Short & Long		Short		Long		lbs	kgs	lbs	kgs
in	mm	in	mm	in	mm	in	mm	in	mm	lbs	kgs	lbs	kgs
2	50	4-3/8	111	1-1/8	29	3/4	19	2-3/8	60	3	1	12	5
2-1/2	65	5-1/8	130	1-3/8	35	3/4	19	2-5/8	67	4	2	15	7
3	80	5-7/8	149	1-3/4	44	3/4	19	2-7/8	73	6	3	18	8
4	100	7-1/8	181	2-5/8	67	3/4	19	2-7/8	73	7	3	25	11
6	150	9-7/8	251	4-5/8	117	7/8	22	3-7/8	98	15	7	58	26
8	200	12-1/8	308	6	152	1-1/8	29	5	127	29	13	120	54
10	250	14-1/4	362	7-3/4	197	1-1/2	38	5-3/4	146	60	27	180	82
12	300	16-5/8	422	9-1/2	241	2	51	7-1/8	181	95	43	235	107
14	350	19-1/8	486	10-1/2	267	2	51	8-3/4	222	TBA	TBA	TBA	TBA
16	400	21-1/4	540	12-1/2	318	2	51	9-1/8	232	TBA	TBA	TBA	TBA
18	450	23-1/2	597	14	356	3	76	10-3/8	264	TBA	TBA	TBA	TBA
20	500	25-3/4	654	16	406	3-1/4	83	11-1/2	292	TBA	TBA	TBA	TBA
24	600	30-1/2	775	19-1/4	489	3-3/4	95	12-1/2	318	TBA	TBA	TBA	TBA
30	750	37-1/2	953	24	610	4-3/4	121	-	-	TBA	TBA	TBA	TBA
36	900	44	1118	28-3/4	730	5-3/4	146	-	-	TBA	TBA	TBA	TBA
42	1050	50-3/4	1289	33-1/2	851	6	152	-	-	TBA	TBA	TBA	TBA

Certified dimensional drawings are available upon request.

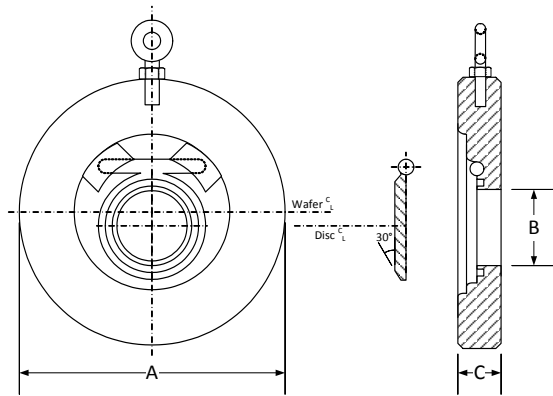
†This table reflects only the nearest metric equivalents.

Seat Material	Operating Temperature**	
	°F	°C
Buna-N	-20 to 250	-29 to 121
Viton	-20 to 400	-29 to 204
EPDM	-40 to 300	-40 to 149

**Subject to limitations of body material.



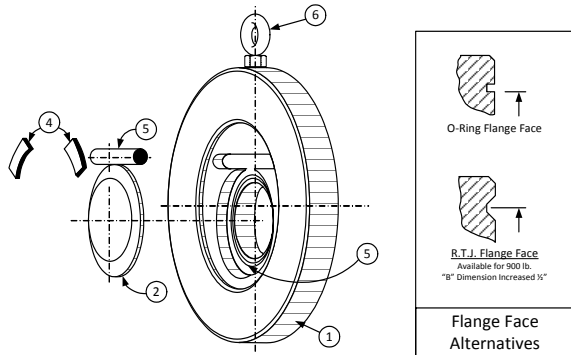
TECHNICAL DATA
DIMENSIONS AND WEIGHTS



Style SP & Style LP

Short Pattern & Long Pattern
Wafer Check Valve, 600 lb.
Carbon Steel (ASTM A 36)

PARTS LIST		
ITEM	DESCRIPTION	MATERIAL
1	Body	Carbon Steel (ASTM A 36)
2	Disc	Stainless Steel (316)
3	Hinge pin	Stainless Steel (302)
4	Pin retainer	Stainless Steel (302)
5	O-ring	Viton
6	Eye bolt w/ hex nut	Carbon Steel (ASTM A 105)



Above "Standard" Product Number for Short Pattern- **SP5R-CS-364**

Above "Standard" Product Number for Long Pattern- **LP5R-CS-364**

Other Options - Reference **C2** for available materials.

Specify application and conditions so proper material grade can be supplied.

SIZE		DIMENSIONS								WEIGHTS			
		A		B		C		Short		Long			
		Short & Long		Short & Long		Short		Long		Short		Long	
in	mm	in	mm	in	mm	in	mm	in	mm	lbs	kgs	lbs	kgs
2	50	4-3/8	111	1	25	3/4	19	2-3/8	60	4	2	12	5
2-1/2	65	5-1/8	130	1-3/8	35	3/4	19	2-5/8	67	6	3	15	7
3	80	5-7/8	149	1-3/4	44	3/4	19	2-7/8	73	7	3	18	8
4	100	7-5/8	194	2-5/8	67	7/8	22	3-1/8	79	12	5	25	11
6	150	10-1/2	267	4	102	1-1/8	29	5-3/8	137	24	11	70	32
8	200	12-5/8	321	5	127	1-1/2	38	6-1/2	165	57	26	160	73
10	250	15-3/4	400	6-7/8	175	2-1/4	57	8-3/8	213	131	59	200	91
12	300	18	457	8-1/2	216	2-3/8	60	9	229	234	106	265	120
14	350	19-3/8	492	9-1/2	241	2-3/8	60	10-3/4	273	TBA	TBA	TBA	TBA
16	400	22-1/4	565	11	279	2-7/8	73	12	305	TBA	TBA	TBA	TBA
18	450	24-1/8	613	12-1/2	318	3-1/8	79	14-1/4	362	TBA	TBA	TBA	TBA
20	500	26-7/8	683	14-1/4	362	3-5/8	92	14-1/2	368	TBA	TBA	TBA	TBA
24	600	31-1/8	791	17-3/8	441	4-1/4	108	-	-	TBA	TBA	TBA	TBA
26	650	34-1/8	867	19	483	4-3/4	121	17-1/4	438	TBA	TBA	TBA	TBA
30	750	38-1/4	972	22	559	5-1/4	133	-	-	TBA	TBA	TBA	TBA
36	900	44-1/2	1130	26-1/2	673	6-1/4	159	-	-	TBA	TBA	TBA	TBA

Certified dimensional drawings are available upon request.

†This table reflects only the nearest metric equivalents.

Seat Material	Operating Temperature**	
	°F	°C
Buna-N	-20 to 250	-29 to 121
Viton	-20 to 400	-29 to 204
EPDM	-40 to 300	-40 to 149

**Subject to limitations of body material.



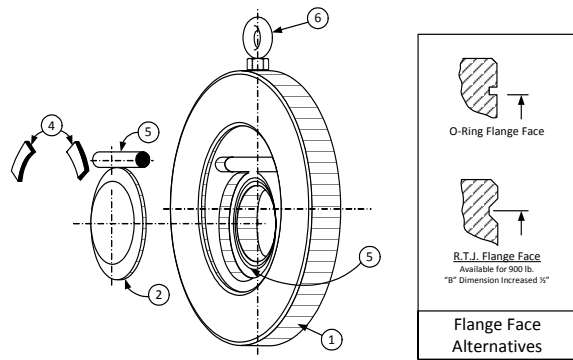
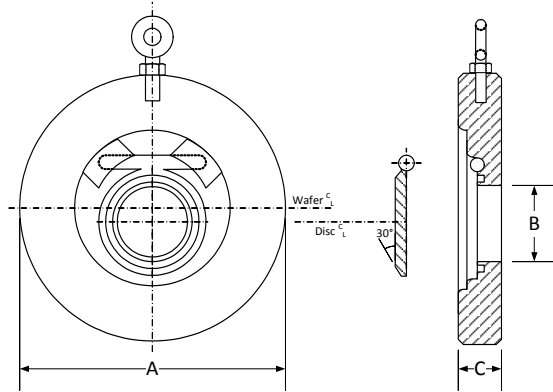
TECHNICAL DATA
DIMENSIONS AND WEIGHTS

Style SP & Style LP

Short Pattern & Long Pattern

Wafer Check Valve, 900 lb.

Carbon Steel (ASTM A 36)



PARTS LIST		
ITEM	DESCRIPTION	MATERIAL
1	Body	Carbon Steel (ASTM A 36)
2	Disc	Stainless Steel (316)
3	Hinge pin	Stainless Steel (302)
4	Pin retainer	Stainless Steel (302)
5	O-ring	Viton
6	Eye bolt w/ hex nut	Carbon Steel (ASTM A 105)

Above "Standard" Product Number for Short Pattern- SP6R-CS-364

Above "Standard" Product Number for Long Pattern- LP6R-CS-364

Other Options - Reference C2 for available materials.

Specify application and conditions so proper material grade can be supplied.

SIZE		DIMENSIONS								WEIGHTS			
		A		B		C				Short		Long	
		Short & Long		Short & Long		Short		Long		Short		Long	
in	mm	in	mm	in	mm	in	mm	in	mm	lbs	kgs	lbs	kgs
2	50	5-5/8	143	1	25	3/4	19	2-3/4	70	4	2	14	6
2-1/2	65	6-1/2	165	1-3/8	35	3/4	19	3-1/4	83	6	3	16	7
3	80	6-5/8	168	1-3/4	44	3/4	19	3-1/4	83	7	3	22	10
4	100	8-1/8	206	2-5/8	67	7/8	22	4	102	12	5	30	14
6	150	11-3/8	289	4	102	1-3/8	35	6-1/4	159	24	11	82	37
8	200	14-1/8	359	5	127	1-3/4	44	8-1/8	206	57	26	188	85
10	250	17-1/8	435	6-7/8	175	2-1/4	57	9-1/2	241	131	59	225	102
12	300	19-5/8	498	8-1/2	216	2-3/8	60	11-1/2	292	234	106	295	134
14	350	20-1/2	521	9-1/2	241	2-3/4	70	14	356	TBA	TBA	TBA	TBA
16	400	22-5/8	575	11	279	3-1/4	83	15-1/8	384	TBA	TBA	TBA	TBA
18	450	25-1/8	638	12-1/2	318	3-3/4	95	17-3/4	451	TBA	TBA	TBA	TBA
20	500	27-1/2	699	14-1/4	362	4-1/4	108	17-3/4	451	TBA	TBA	TBA	TBA
24	600	33	838	17-3/8	441	5-1/4	133	-	-	TBA	TBA	TBA	TBA
26	650	34-3/4	883	19	483	5-3/4	146	19-1/2	495	TBA	TBA	TBA	TBA
30	750	39-3/4	1010	22	559	6-3/4	171	-	-	TBA	TBA	TBA	TBA
36	900	47-1/4	1200	26-1/2	673	8	203	-	-	TBA	TBA	TBA	TBA

Certified dimensional drawings are available upon request.

†This table reflects only the nearest metric equivalents.

Seat Material	Operating Temperature**	
	°F	°C
Buna-N	-20 to 250	-29 to 121
Viton	-20 to 400	-29 to 204
EPDM	-40 to 300	-40 to 149

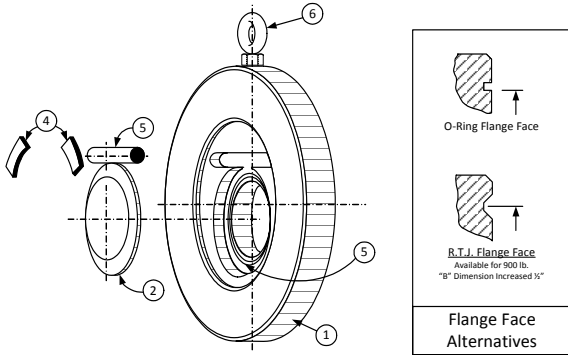
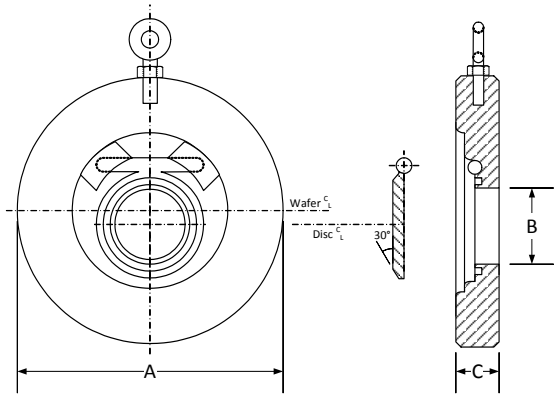
**Subject to limitations of body material.



TECHNICAL DATA
DIMENSIONS AND WEIGHTS

Style SP & Style LP

Short Pattern & Long Pattern
Wafer Check Valve, 1500 lb.
Carbon Steel (ASTM A 36)



PARTS LIST		
ITEM	DESCRIPTION	MATERIAL
1	Body	Carbon Steel (ASTM A 36)
2	Disc	Stainless Steel (316)
3	Hinge pin	Stainless Steel (302)
4	Pin retainer	Stainless Steel (302)
5	O-ring	Viton
6	Eye bolt w/ hex nut	Carbon Steel (ASTM A 105)

Above "Standard" Product Number for Short Pattern- **SP7R-CS-364**

Above "Standard" Product Number for Long Pattern- **LP7R-CS-364**

Other Options - Reference **C2** for available materials.

Specify application and conditions so proper material grade can be supplied.

SIZE		DIMENSIONS								WEIGHTS			
		A		B		C		Short		Long			
		Short & Long		Short & Long		Short		Long		Short		Long	
in	mm	in	mm	in	mm	in	mm	in	mm	lbs	kgs	lbs	kgs
1-1/2	40	3-7/8	98	7/8	22	3/4	19	2-3/4	70	4	2	14	6
2	50	5-5/8	143	1	25	3/4	19	2-3/4	70	4	2	14	6
3	80	6-7/8	175	1-3/4	44	7/8	22	3-1/4	83	9	4	24	11
4	100	8-1/4	210	2-1/4	57	1-1/4	32	4	102	19	9	35	16
6	150	11-1/8	283	3-3/4	95	1-3/4	44	6-1/4	159	49	22	92	42
8	200	13-7/8	352	4-3/4	121	2-1/4	57	8-1/8	206	74	34	195	88
10	250	17-1/8	435	6-3/4	171	2-7/8	73	9-3/4	248	158	72	245	111
12	300	20-1/2	521	8-1/2	216	3-3/8	86	12	305	255	116	330	150

Certified dimensional drawings are available upon request.

†This table reflects only the nearest metric equivalents.

Seat Material	Operating Temperature**	
	°F	°C
Buna-N	-20 to 250	-29 to 121
Viton	-20 to 400	-29 to 204
EPDM	-40 to 300	-40 to 149

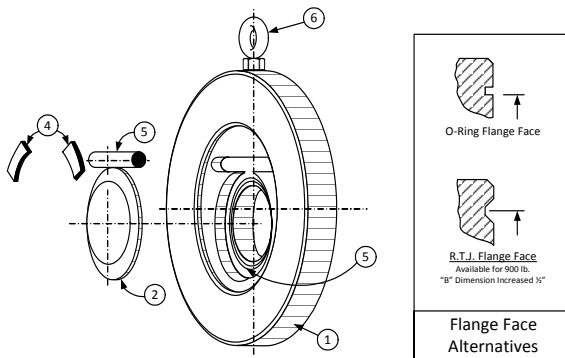
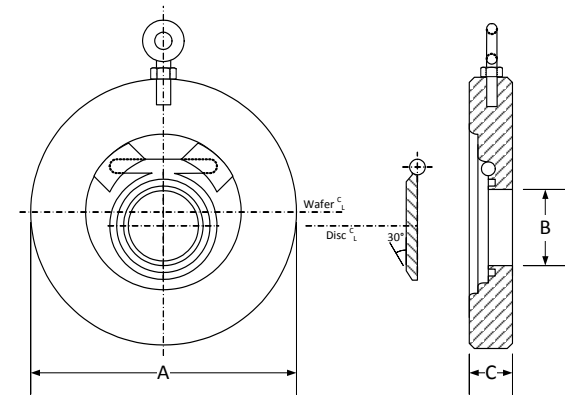
**Subject to limitations of body material.



TECHNICAL DATA
DIMENSIONS AND WEIGHTS

Style SP & Style LP

Short Pattern & Long Pattern
Wafer Check Valve, 150 lb.
Stainless Steel (316)



PARTS LIST		
ITEM	DESCRIPTION	MATERIAL
1	Body	Stainless Steel (316)
2	Disc	Stainless Steel (316)
3	Hinge pin	Stainless Steel (302)
4	Pin retainer	Stainless Steel (302)
5	O-ring	Viton
6	Eye bolt w/ hex nut	Carbon Steel (ASTM A 105)

Above "Standard" Product Number for Short Pattern- SP2R-36-364

Above "Standard" Product Number for Long Pattern- LP2R-36-364

Other Options - Reference C2 for available materials.

Specify application and conditions so proper material grade can be supplied.

SIZE		DIMENSIONS								WEIGHTS			
		A		B		C				Short		Long	
		Short & Long		Short & Long		Short		Long		lbs	kgs	lbs	kgs
in	mm	in	mm	in	mm	in	mm	in	mm	lbs	kgs	lbs	kgs
1-1/2	40	3-3/8	86	7/8	22	13/16	21	2-3/8	60	3	1	10	5
2	50	4-1/8	105	1-1/8	29	3/4	19	2-3/8	60	3	1	10	5
2-1/2	65	4-7/8	124	1-3/8	35	3/4	19	2-5/8	67	4	2	13	6
3	80	5-3/8	137	1-3/4	44	3/4	19	2-7/8	73	5	2	15	7
4	100	6-7/8	175	2-5/8	67	3/4	19	2-7/8	73	6	3	20	9
6	150	8-3/4	222	4-5/8	117	1	25	3-7/8	98	12	5	48	22
8	200	11	279	6	152	1-1/8	29	5	127	24	11	100	45
10	250	13-3/8	340	7-3/4	197	1-1/8	29	5-3/4	146	32	15	160	73
12	300	16-1/8	410	9-1/2	241	1-1/2	38	7-1/8	181	62	28	215	98
14	350	17-3/4	451	10-1/2	267	1-3/4	44	7-1/4	184	TBA	TBA	TBA	TBA
16	400	20-1/4	514	12-1/2	318	2	51	7-1/2	191	TBA	TBA	TBA	TBA
18	450	21-5/8	549	14	356	2-1/4	57	8	203	TBA	TBA	TBA	TBA
20	500	23-7/8	606	16	406	2-1/2	64	8-3/4	222	TBA	TBA	TBA	TBA
24	600	28-1/4	718	19-1/4	489	2-3/4	70	8-3/4	222	TBA	TBA	TBA	TBA
30	750	34-3/4	883	24	610	3	76	-	-	TBA	TBA	TBA	TBA
36	900	41-1/4	1048	28-3/4	730	3-1/2	89	14	356	TBA	TBA	TBA	TBA
42	1050	48	1219	33-1/2	851	4-1/4	108	-	-	TBA	TBA	TBA	TBA
60	1500	68-3/8	1737	47-3/4	1213	6	152	-	-	TBA	TBA	TBA	TBA

Certified dimensional drawings are available upon request.

*This table reflects only the nearest metric equivalents.

Seat Material	Operating Temperature**	
	°F	°C
Buna-N	-20 to 250	-29 to 121
Viton	-20 to 400	-29 to 204
EPDM	-40 to 300	-40 to 149

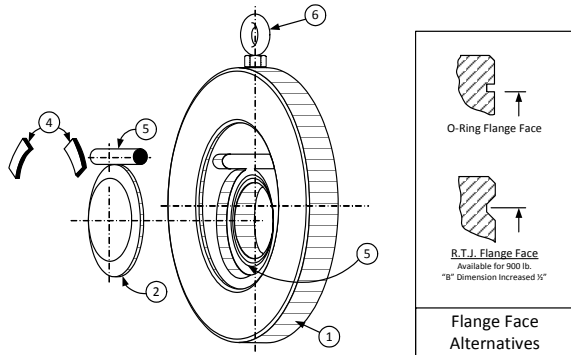
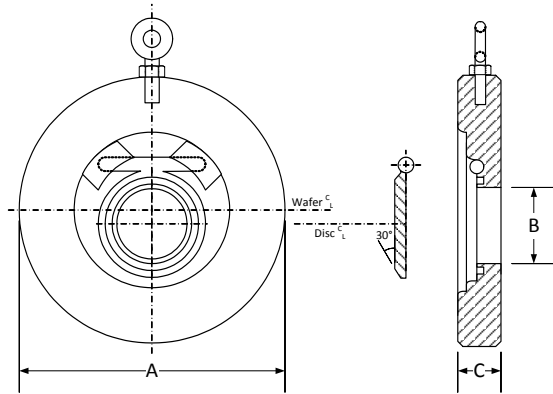
**Subject to limitations of body material.



TECHNICAL DATA
DIMENSIONS AND WEIGHTS

Style SP & Style LP

Short Pattern & Long Pattern
Wafer Check Valve, 300 lb.
Stainless Steel (316)



PARTS LIST		
ITEM	DESCRIPTION	MATERIAL
1	Body	Stainless Steel (316)
2	Disc	Stainless Steel (316)
3	Hinge pin	Stainless Steel (302)
4	Pin retainer	Stainless Steel (302)
5	O-ring	Viton
6	Eye bolt w/ hex nut	Carbon Steel (ASTM A 105)

Above "Standard" Product Number for Short Pattern- **SP4R-36-364**

Above "Standard" Product Number for Long Pattern- **LP4R-36-364**

Other Options - Reference **C2** for available materials.

Specify application and conditions so proper material grade can be supplied.

SIZE		DIMENSIONS								WEIGHTS			
		A		B		C		Short		Long			
		Short & Long		Short & Long		Short		Long		Short		Long	
in	mm	in	mm	in	mm	in	mm	in	mm	lbs	kgs	lbs	kgs
2	50	4-3/8	111	1-1/8	29	3/4	19	2-3/8	60	3	1	12	5
2-1/2	65	5-1/8	130	1-3/8	35	3/4	19	2-5/8	67	4	2	15	7
3	80	5-7/8	149	1-3/4	44	3/4	19	2-7/8	73	6	3	18	8
4	100	7-1/8	181	2-5/8	67	3/4	19	2-7/8	73	7	3	25	11
6	150	9-7/8	251	4-5/8	117	7/8	22	3-7/8	98	15	7	58	26
8	200	12-1/8	308	6	152	1-1/8	29	5	127	29	13	120	54
10	250	14-1/4	362	7-3/4	197	1-1/2	38	5-3/4	146	60	27	180	82
12	300	16-5/8	422	9-1/2	241	2	51	7-1/8	181	95	43	235	107
14	350	19-1/8	486	10-1/2	267	2	51	8-3/4	222	TBA	TBA	TBA	TBA
16	400	21-1/4	540	12-1/2	318	2	51	9-1/8	232	TBA	TBA	TBA	TBA
18	450	23-1/2	597	14	356	3	76	10-3/8	264	TBA	TBA	TBA	TBA
20	500	25-3/4	654	16	406	3-1/4	83	11-1/2	292	TBA	TBA	TBA	TBA
24	600	30-1/2	775	19-1/4	489	3-3/4	95	12-1/2	318	TBA	TBA	TBA	TBA
30	750	37-1/2	953	24	610	4-3/4	121	-	-	TBA	TBA	TBA	TBA
36	900	44	1118	28-3/4	730	5-3/4	146	-	-	TBA	TBA	TBA	TBA
42	1050	50-3/4	1289	33-1/2	851	6	152	-	-	TBA	TBA	TBA	TBA

Certified dimensional drawings are available upon request.

†This table reflects only the nearest metric equivalents.

Seat Material	Operating Temperature**	
	°F	°C
Buna-N	-20 to 250	-29 to 121
Viton	-20 to 400	-29 to 204
EPDM	-40 to 300	-40 to 149

**Subject to limitations of body material.



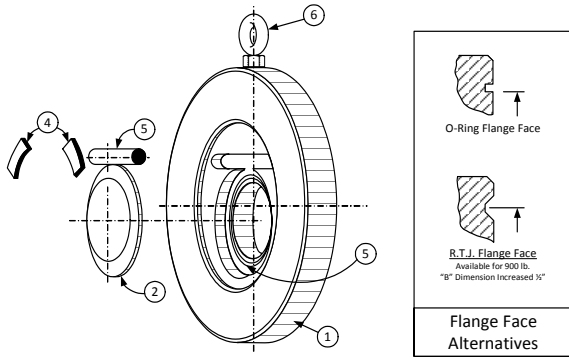
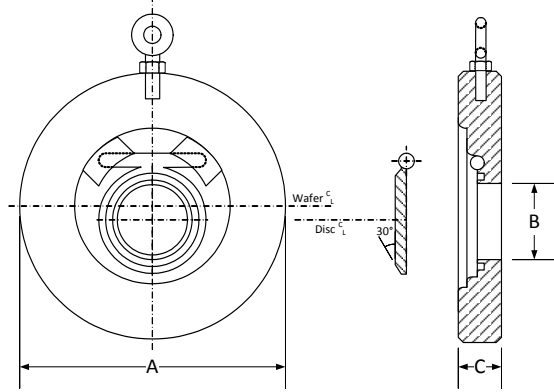
TECHNICAL DATA
DIMENSIONS AND WEIGHTS

Style SP & Style LP

Short Pattern & Long Pattern

Wafer Check Valve, 600 lb.

Stainless Steel (316)



PARTS LIST		
ITEM	DESCRIPTION	MATERIAL
1	Body	Stainless Steel (316)
2	Disc	Stainless Steel (316)
3	Hinge pin	Stainless Steel (302)
4	Pin retainer	Stainless Steel (302)
5	O-ring	Viton
6	Eye bolt w/ hex nut	Carbon Steel (ASTM A 105)

Above "Standard" Product Number for Short Pattern- SP5R-36-364

Above "Standard" Product Number for Long Pattern- LP5R-36-364

Other Options - Reference C2 for available materials.

Specify application and conditions so proper material grade can be supplied.

SIZE		DIMENSIONS								WEIGHTS			
		A		B		C							
		in	mm	Short & Long		Short & Long		Short		Long		Short	
2	50	4-3/8	111	1	25	3/4	19	2-3/8	60	4	2	12	5
2-1/2	65	5-1/8	130	1-3/8	35	3/4	19	2-5/8	67	6	3	15	7
3	80	5-7/8	149	1-3/4	44	3/4	19	2-7/8	73	7	3	18	8
4	100	7-5/8	194	2-5/8	67	7/8	22	3-1/8	79	12	5	25	11
6	150	10-1/2	267	4	102	1-1/8	29	5-3/8	137	24	11	70	32
8	200	12-5/8	321	5	127	1-1/2	38	6-1/2	165	57	26	160	73
10	250	15-3/4	400	6-7/8	175	2-1/4	57	8-3/8	213	131	59	200	91
12	300	18	457	8-1/2	216	2-3/8	60	9	229	234	106	265	120
14	350	19-3/8	492	9-1/2	241	2-3/8	60	10-3/4	273	TBA	TBA	TBA	TBA
16	400	22-1/4	565	11	279	2-7/8	73	12	305	TBA	TBA	TBA	TBA
18	450	24-1/8	613	12-1/2	318	3-1/8	79	14-1/4	362	TBA	TBA	TBA	TBA
20	500	26-7/8	683	14-1/4	362	3-5/8	92	14-1/2	368	TBA	TBA	TBA	TBA
24	600	31-1/8	791	17-3/8	441	4-1/4	108	-	-	TBA	TBA	TBA	TBA
26	650	34-1/8	867	19	483	4-3/4	121	17-1/4	438	TBA	TBA	TBA	TBA
30	750	38-1/4	972	22	559	5-1/4	133	-	-	TBA	TBA	TBA	TBA
36	900	44-1/2	1130	26-1/2	673	6-1/4	159	-	-	TBA	TBA	TBA	TBA

Certified dimensional drawings are available upon request.

†This table reflects only the nearest metric equivalents.

Seat Material	Operating Temperature**	
	°F	°C
Buna-N	-20 to 250	-29 to 121
Viton	-20 to 400	-29 to 204
EPDM	-40 to 300	-40 to 149

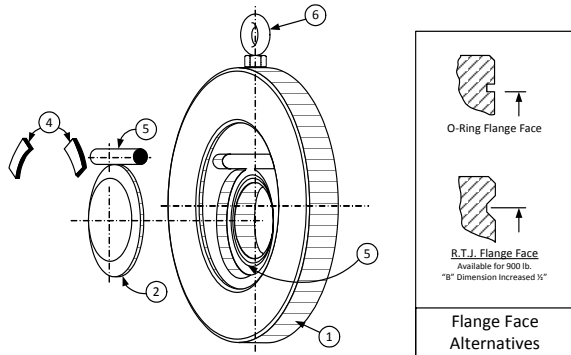
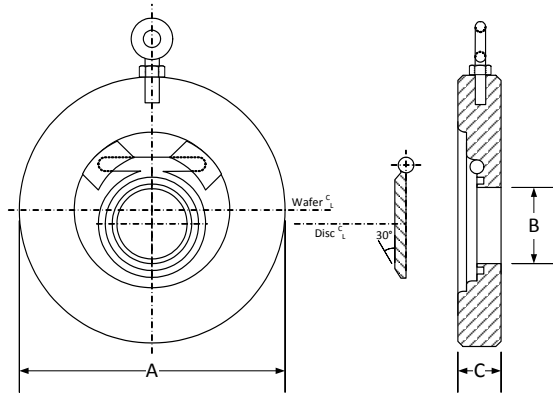
**Subject to limitations of body material.



TECHNICAL DATA
DIMENSIONS AND WEIGHTS

Style SP & Style LP

Short Pattern & Long Pattern
Wafer Check Valve, 900 lb.
Stainless Steel (316)



PARTS LIST		
ITEM	DESCRIPTION	MATERIAL
1	Body	Stainless Steel (316)
2	Disc	Stainless Steel (316)
3	Hinge pin	Stainless Steel (302)
4	Pin retainer	Stainless Steel (302)
5	O-ring	Viton
6	Eye bolt w/ hex nut	Carbon Steel (ASTM A 105)

Above "Standard" Product Number for Short Pattern- **SP6R-36-364**

Above "Standard" Product Number for Long Pattern- **LP6R-36-364**

Other Options - Reference **C2** for available materials.

Specify application and conditions so proper material grade can be supplied.

SIZE		DIMENSIONS								WEIGHTS			
		A		B		C		Short		Long			
		Short & Long		Short & Long		Short		Long		Short		Long	
in	mm	in	mm	in	mm	in	mm	in	mm	lbs	kgs	lbs	kgs
2	50	5-5/8	143	1	25	3/4	19	2-3/4	70	4	2	14	6
2-1/2	65	6-1/2	165	1-3/8	35	3/4	19	3-1/4	83	6	3	16	7
3	80	6-5/8	168	1-3/4	44	3/4	19	3-1/4	83	7	3	22	10
4	100	8-1/8	206	2-5/8	67	7/8	22	4	102	12	5	30	14
6	150	11-3/8	289	4	102	1-3/8	35	6-1/4	159	24	11	82	37
8	200	14-1/8	359	5	127	1-3/4	44	8-1/8	206	57	26	188	85
10	250	17-1/8	435	6-7/8	175	2-1/4	57	9-1/2	241	131	59	225	102
12	300	19-5/8	498	8-1/2	216	2-3/8	60	11-1/2	292	234	106	295	134
14	350	20-1/2	521	9-1/2	241	2-3/4	70	14	356	TBA	TBA	TBA	TBA
16	400	22-5/8	575	11	279	3-1/4	83	15-1/8	384	TBA	TBA	TBA	TBA
18	450	25-1/8	638	12-1/2	318	3-3/4	95	17-3/4	451	TBA	TBA	TBA	TBA
20	500	27-1/2	699	14-1/4	362	4-1/4	108	17-3/4	451	TBA	TBA	TBA	TBA
24	600	33	838	17-3/8	441	5-1/4	133	-	-	TBA	TBA	TBA	TBA
26	650	34-3/4	883	19	483	5-3/4	146	19-1/2	495	TBA	TBA	TBA	TBA
30	750	39-3/4	1010	22	559	6-3/4	171	-	-	TBA	TBA	TBA	TBA
36	900	47-1/4	1200	26-1/2	673	8	203	-	-	TBA	TBA	TBA	TBA

Certified dimensional drawings are available upon request.

†This table reflects only the nearest metric equivalents.

Seat Material	Operating Temperature**	
	°F	°C
Buna-N	-20 to 250	-29 to 121
Viton	-20 to 400	-29 to 204
EPDM	-40 to 300	-40 to 149

**Subject to limitations of body material.



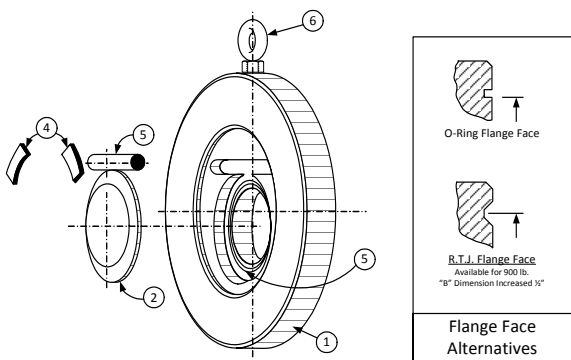
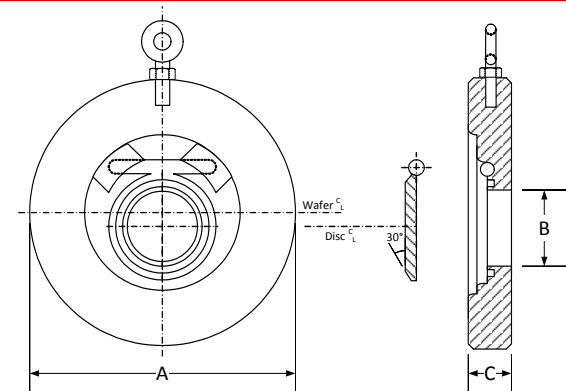
TECHNICAL DATA
DIMENSIONS AND WEIGHTS

Style SP & Style LP

Short Pattern & Long Pattern

Wafer Check Valve, 1500 lb.

Stainless Steel (316)



PARTS LIST

ITEM	DESCRIPTION	MATERIAL
1	Body	Stainless Steel (316)
2	Disc	Stainless Steel (316)
3	Hinge pin	Stainless Steel (302)
4	Pin retainer	Stainless Steel (302)
5	O-ring	Viton
6	Eye bolt w/ hex nut	Carbon Steel (ASTM A 105)

Above "Standard" Product Number for Short Pattern- SP7R-36-364

Above "Standard" Product Number for Long Pattern- LP7R-36-364

Other Options - Reference C2 for available materials.

Specify application and conditions so proper material grade can be supplied.

SIZE		DIMENSIONS								WEIGHTS			
		A				B				C			
		Short & Long		Short & Long		Short		Long		Short		Long	
in	mm	in	mm	in	mm	in	mm	in	mm	lbs	kgs	lbs	kgs
1-1/2	40	3-7/8	98	7/8	22	3/4	19	2-3/4	70	4	2	14	6
2	50	5-5/8	143	1	25	3/4	19	2-3/4	70	4	2	14	6
3	80	6-7/8	175	1-3/4	44	7/8	22	3-1/4	83	9	4	24	11
4	100	8-1/4	210	2-1/4	57	1-1/4	32	4	102	19	9	35	16
6	150	11-1/8	283	3-3/4	95	1-3/4	44	6-1/4	159	49	22	92	42
8	200	13-7/8	352	4-3/4	121	2-1/4	57	8-1/8	206	74	34	195	88
10	250	17-1/8	435	6-3/4	171	2-7/8	73	9-3/4	248	158	72	245	111
12	300	20-1/2	521	8-1/2	216	3-3/8	86	12	305	255	116	330	150

Certified dimensional drawings are available upon request.

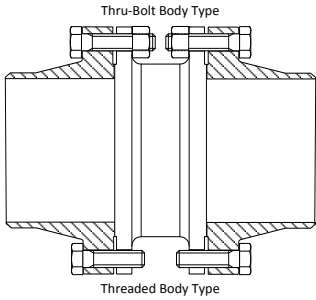
†This table reflects only the nearest metric equivalents.

Seat Material	Operating Temperature**	
	°F	°C
Buna-N	-20 to 250	-29 to 121
Viton	-20 to 400	-29 to 204
EPDM	-40 to 300	-40 to 149

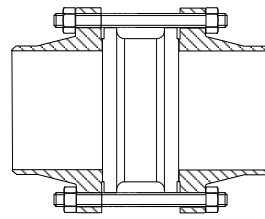
**Subject to limitations of body material.



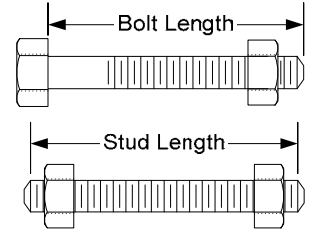
Stud and Bolt Dimensions for Wafer Check Valves.



Wafer Lug And Wafer Double Flange Body Type



Wafer Body Type



STUD AND BOLT DIMENSIONS FOR WAFER CHECK VALVES

	2	2-1/2	3	4	5	6	8	10	12	14	14	16	20	24	30	36	42	48
125 lb.																		
No. of Studs	4	4	4	8	8	8	8	12	12	12	16	16	20	20	28	32	36	44
Stud Diameter	in 5/8	5/8	5/8	5/8	3/4	3/4	3/7	7/8	7/8	1	1	1-1/8	1-1/8	1-1/4	1-1/4	1-1/2	1-1/2	1-1/2
Stud Length	in 5-1/4	5-3/8	5-5/8	6-1/4	6-3/4	7	8	9	10-1/2	12-3/4	13-1/4	14-1/4	15	16	20	23-1/2	26-1/2	30-1/2
No. of Bolts	8	8	8	16	16	16	16	24	24	24	32	32	40	40	56	64	72	88
*Bolt Length	in 1-3/4	2	2	2-1/4	2-1/4	2-1/2	2-1/2	2-1/2	2-3/4	3	3	3-1/4	3-1/4	3-1/2	4-3/4	5-1/2	6	6-1/4
	mm 44	51	51	51	57	57	64	64	70	76	76	83	83	89	121	140	152	159
150 lb.																		
No. of Studs	4	4	4	8	8	8	8	12	12	12	16	16	20	20	28	32	36	44
Stud Diameter	in 5/8	5/8	5/8	5/8	3/4	3/4	3/4	7/8	7/8	1	1	1-1/8	1-1/8	1-1/4	1-1/4	1-1/2	1-1/2	1-1/2
Stud Length	in 5-3/4	6-1/4	6-3/4	6-3/4	7-1/2	8	9-1/2	10-1/2	12	12-3/4	13-1/4	14-1/4	15	15-3/4	21-1/4	26-1/4	28-1/2	33
No. of Bolts	8	8	8	16	16	16	16	24	24	24	32	32	40	40	56	64	72	88
*Bolt Length	in 1-3/4	2	2	2-1/4	2-1/4	2-1/2	2-1/2	2-3/4	3	3	3-1/4	3-1/4	3-1/2	3-1/2	4-3/4	5-1/2	6	6-1/4
	mm 44	51	51	51	57	57	64	64	70	76	76	83	83	89	121	140	152	159
250 lb.																		
No. of Studs	8	8	8	8	8	12	12	16	16	20	20	24	24	24	28	32	36	40
Stud Diameter	in 5/8	3/4	3/4	3/4	3/4	3/4	7/8	1	1-1/8	1-1/8	1-1/4	1-1/4	1-1/4	1-1/2	1-3/4	2	2	2
Stud Length	in 6	6-3/4	7	7-1/2	8-1/4	9	10-1/2	12-1/4	14	16	17	18-1/2	19-3/4	21-3/4	27-1/4	32-1/4	36-1/2	40
No. of Bolts	16	16	16	16	16	24	24	32	32	40	40	48	48	48	56	64	72	80
*Bolt Length	in 2	2	2-1/4	2-1/2	2-1/2	2-3/4	2-3/4	3	3-1/2	3-3/4	3-3/4	4-1/4	4	4-1/4	4-3/4	5-3/4	7-1/4	7-3/4
	mm 51	51	57	64	64	70	70	76	89	95	95	108	102	108	121	146	184	197
300 lb.																		
No. of Studs	8	8	8	8	8	12	12	16	16	20	20	24	24	24	28	32	36	40
Stud Diameter	in 5/8	3/4	3/4	3/4	3/4	3/4	7/8	1	1-1/8	1-1/8	1-1/4	1-1/4	1-1/4	1-1/2	1-3/4	2	2	2
Stud Length	in 6	6-3/4	7	7-1/2	8-1/4	9	10-1/2	12-1/4	14	16	17	18-1/2	19-3/4	21-3/4	27-1/4	32-1/4	36-1/2	40
No. of Bolts	16	16	16	16	16	24	24	32	32	40	40	48	48	48	56	64	72	80
*Bolt Length	in 2	2	2-1/4	2-1/2	2-1/2	2-3/4	2-3/4	3	3-1/2	3-3/4	3-3/4	4-1/4	4	4-1/4	4-3/4	5-3/4	7-1/4	7-3/4
	mm 51	51	57	64	64	70	70	76	89	95	95	108	102	108	121	146	184	197
600 lb.																		
No. of Studs	8	8	8	8	8	12	12	16	20	20	20	20	24	24	28	28	28	-
Stud Diameter	in 5/8	3/4	3/4	7/8	1	1	1-1/8	1-1/4	1-1/4	1-3/8	1-1/2	1-5/8	1-5/8	1-7/8	2	2-1/2	2-3/4	-
Stud Length	in 6-3/4	7-1/2	8	9-1/4	10-3/4	12-1/4	14-1/4	17	18	20-1/4	22-1/4	25-1/4	26	30-1/4	34-1/4	41	47	-
No. of Bolts	16	16	16	16	16	24	24	32	40	40	40	40	48	48	56	56	56	-
*Bolt Length	in 2-1/4	2-1/2	2-3/4	3	3-1/2	3-1/2	4	4-1/4	4-1/2	4-3/4	5-1/4	5-1/2	5-3/4	6-1/2	7	8	9-3/4	-
	mm 57	64	70	76	89	89	102	108	114	121	133	140	146	165	178	203	248	-
900 lb.																		
No. of Studs	8	8	8	8	-	12	12	16	20	20	20	20	20	20	-	-	-	-
Stud Diameter	in 7/8	1	7/8	1-1/8	-	1-1/8	1-3/8	1-3/8	1-3/8	1-1/2	1-5/8	1-7/8	2	2-1/2	-	-	-	-
Stud Length	in 8-3/4	9-3/4	6-1/4	11	-	14-1/4	17-1/4	19	21-3/4	25-1/2	27	31-1/2	32-1/4	37-1/4	-	-	-	-
No. of Bolts	16	16	16	16	-	24	24	32	40	40	40	40	40	40	-	-	-	-
*Bolt Length	in 3	3-1/4	3	3-1/2	-	4	4-1/2	4-3/4	5-1/4	5-1/2	5-3/4	6-1/2	6-3/4	8-1/2	-	-	-	-
	mm 76	83	76	89	-	102	114	121	133	140	146	165	171	216	-	-	-	-
1500 lb.																		
No. of Studs	8	8	8	8	-	12	12	16	16	16	16	16	16	16	-	-	-	-
Stud Diameter	in 7/8	1	1-1/8	1-1/4	-	1-3/8	1-5/8	1-7/8	2	2-1/4	2-1/2	2-3/4	3	3-1/2	-	-	-	-
Stud Length	in 8-3/4	9-3/4	10-1/2	12	-	16-3/4	19-3/4	23-1/4	27	30-1/4	33	38-3/4	43-3/4	48	-	-	-	-
No. of Bolts	16	16	16	16	-	24	24	32	40	40	40	40	40	40	-	-	-	-
*Bolt Length	in 3	3-1/4	3	3-1/2	-	4	4-1/2	4-3/4	5-1/4	5-1/2	5-3/4	6-1/2	6-3/4	8-1/2	-	-	-	-
	mm 76	83	76	89	-	102	114	121	133	140	146	165	171	216	-	-	-	-

*Bolt Length only for Wafer Lug & Wafer Double Flange Double Disc Check Valves.



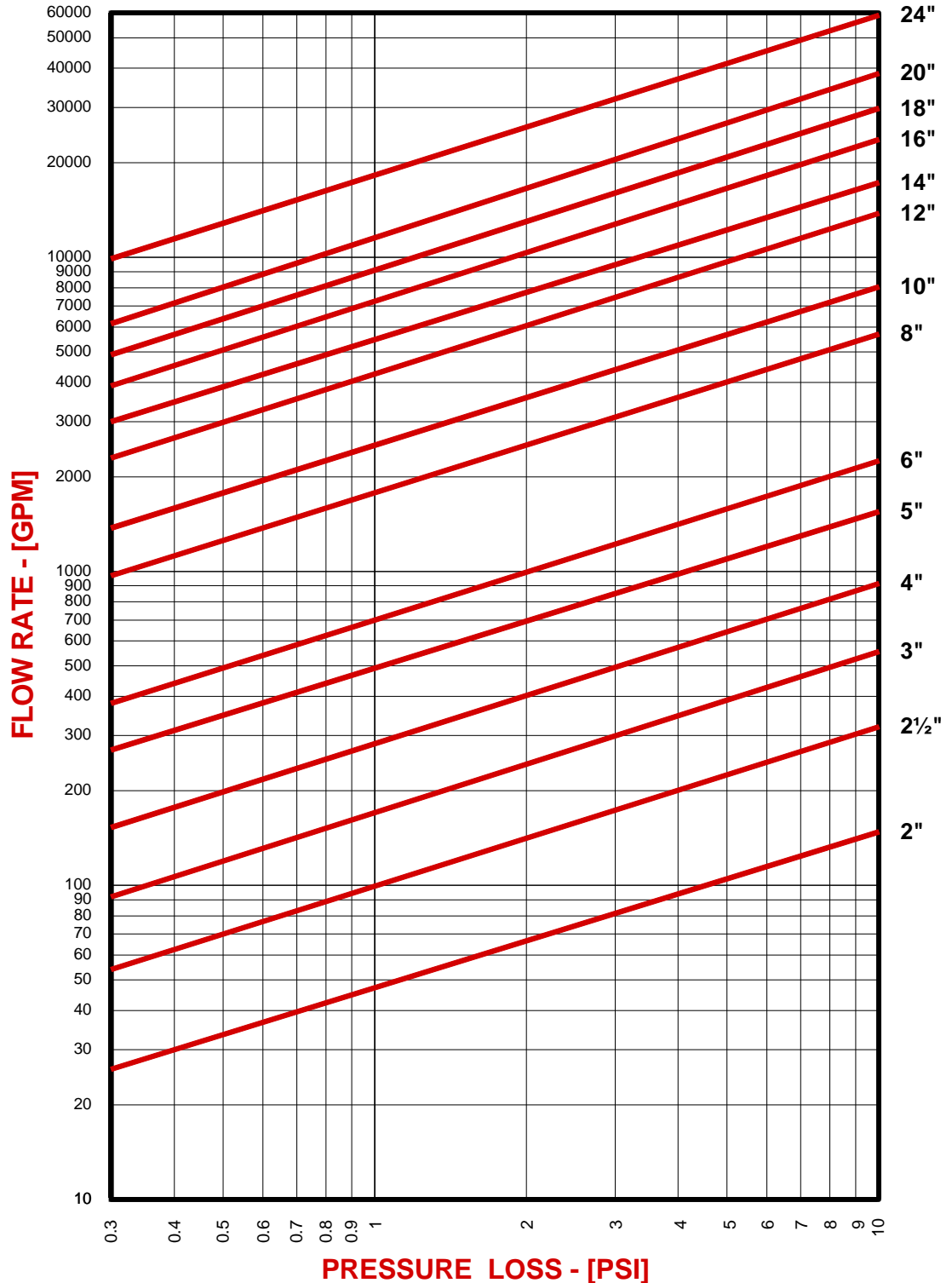
PRESSURE DROP CHART

Wafer Double Disc Check Valve (Style DD, DL, and DF)

This pressure drop chart is based on the flow of clean water through the Keckley Double Disc Check Valve. The Keckley Style DD has a cracking pressure equal to or less than 0.3 psi when mounted horizontally. Check valves should be placed at a distance equal to 5 to 10 pipe diameters from any turbulence producing device such as elbows, pumps, etc.

TO USE CHARTS:

Find your desired rate of flow (GPM) on the left hand side of the chart. Follow its corresponding horizontal line to the point where it intersects the diagonal line indicating the check valve pipe size. From this point of intersection, follow the vertical line down to the bottom of the chart to determine the approximate pressure drop.





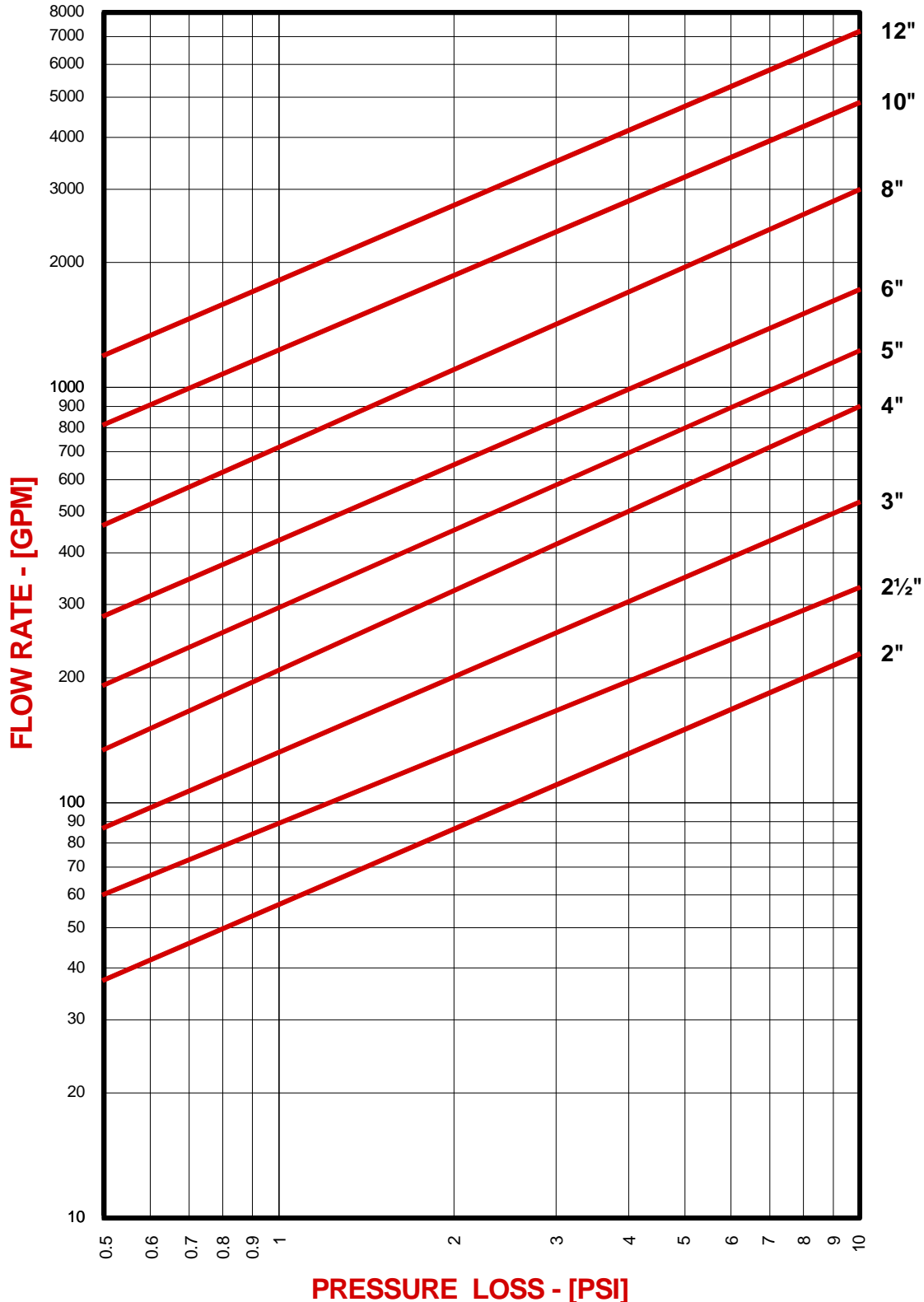
PRESSURE DROP CHART

Wafer Silent Check Valve (Style CW)

This pressure drop chart is based on the flow of clean water through the Keckley Wafer Silent Check Valve. The Keckley Style CW has a cracking pressure equal to or less than 0.5 psi when mounted horizontally. Check valves should be placed at a distance equal to 5 to 10 pipe diameters from any turbulence producing device such as elbows, pumps, etc.

TO USE CHARTS:

Find your desired rate of flow (GPM) on the left hand side of the chart. Follow its corresponding horizontal line to the point where it intersects the diagonal line indicating the check valve pipe size. From this point of intersection, follow the vertical line down to the bottom of the chart to determine the approximate pressure drop.





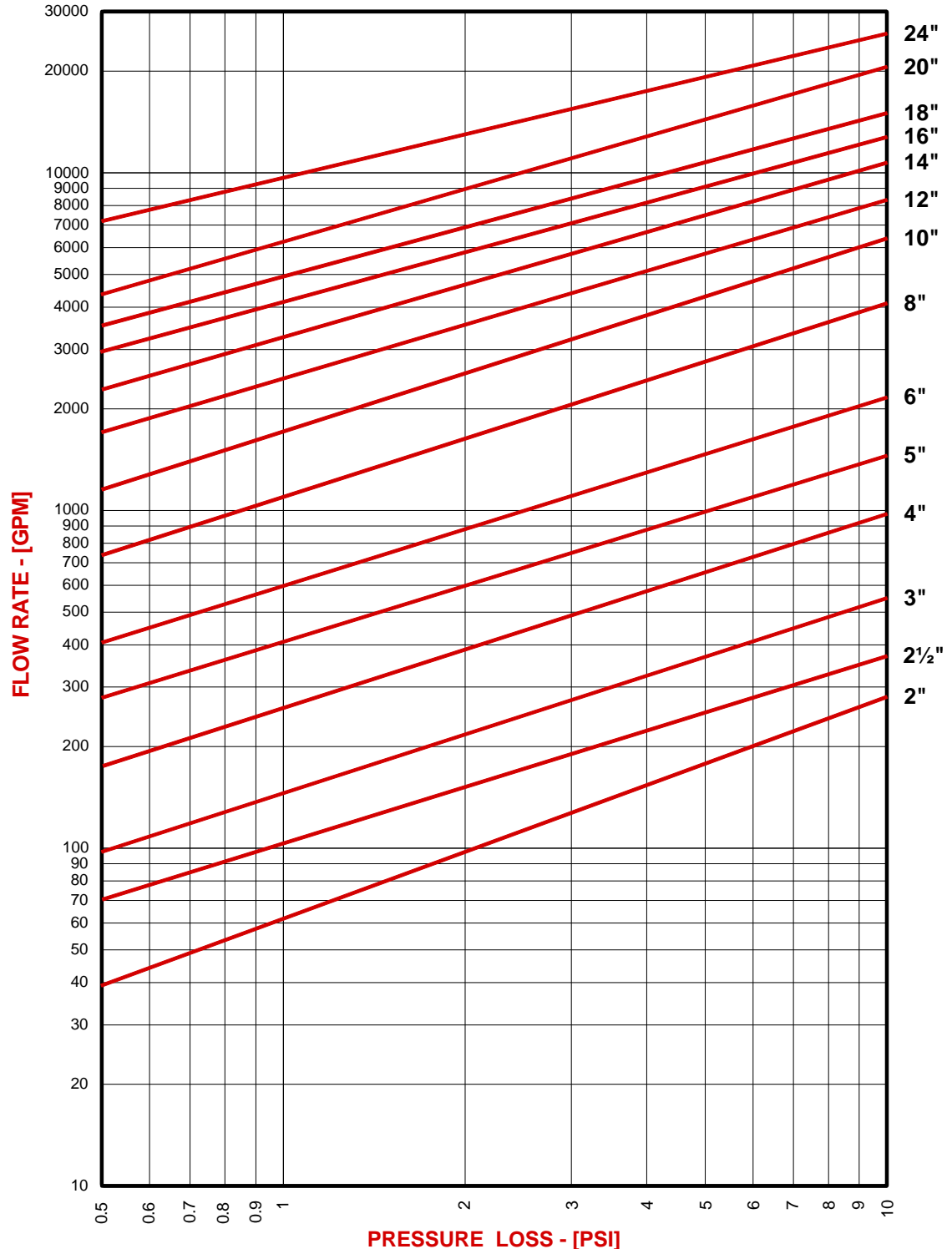
PRESSURE DROP CHART

Globe Silent Check Valve (Style CG)

This pressure drop chart is based on the flow of clean water through the Keckley Globe Silent Check Valve. The Keckley Style CG has a cracking pressure equal to or less than 0.5 psi when mounted horizontally. Check valves should be placed at a distance equal to 5 to 10 pipe diameters from any turbulence producing device such as elbows, pumps, etc.

TO USE CHARTS:

Find your desired rate of flow (GPM) on the left hand side of the chart. Follow its corresponding horizontal line to the point where it intersects the diagonal line indicating the check valve pipe size. From this point of intersection, follow the vertical line down to the bottom of the chart to determine the approximate pressure drop.





Check Valves

Wafer Body Double Disc Check Valve

Style DD 150# Low Carbon Steel Body 2" – 48".....	2
Style DD 300# Low Carbon Steel Body 2" – 48".....	3
Style DD 600# Low Carbon Steel Body 2" – 42".....	4
Style DD 900# Low Carbon Steel Body 2" – 24".....	5
Style DD 1500# Low Carbon Steel Body 2" – 24".....	6
Style DD 150# Alloy 20 Body 2" – 48".....	7
Style DD 300# Alloy 20 Body 2" – 48".....	8
Style DD 600# Alloy 20 Body 2" – 42".....	9
Style DD 900# Alloy 20 Body 2" – 24".....	10
Style DD 1500# Alloy 20 Body 2" – 24".....	11
Style DD 150# Hastelloy C276 Body 2" – 48".....	12
Style DD 300# Hastelloy C276 Body 2" – 48".....	13
Style DD 600# Hastelloy C276 Body 2" – 42".....	14
Style DD 900# Hastelloy C276 Body 2" – 24".....	15
Style DD 1500# Hastelloy C276 Body 2" – 24".....	16
Style DD 150# Monel Body 2" – 48".....	17
Style DD 300# Monel Body 2" – 48".....	18
Style DD 600# Monel Body 2" – 42".....	19
Style DD 900# Monel Body 2" – 24".....	20
Style DD 1500# Monel Body 2" – 24".....	21
Style DD 150# Duplex Body 2" – 48".....	22
Style DD 300# Duplex Body 2" – 48".....	23
Style DD 600# Duplex Body 2" – 42".....	24
Style DD 900# Duplex Body 2" – 24".....	25
Style DD 1500# Duplex Body 2" – 24".....	26
Wafer Lug Body Double Disc Check Valve	
Style DL 150# Low Carbon Steel Body 2" – 48".....	27
Style DL 300# Low Carbon Steel Body 2" – 48".....	28
Style DL 600# Low Carbon Steel Body 2" – 42".....	29
Style DL 900# Low Carbon Steel Body 2" – 24".....	30
Style DL 1500# Low Carbon Steel Body 2" – 24".....	31
Style DL 150# Alloy 20 Body 2" – 48".....	32
Style DL 300# Alloy 20 Body 2" – 48".....	33
Style DL 600# Alloy 20 Body 2" – 42".....	34
Style DL 900# Alloy 20 Body 2" – 24".....	35
Style DL 1500# Alloy 20 Body 2" – 24".....	36
Style DL 150# Hastelloy C276 Body 2" – 48".....	37
Style DL 300# Hastelloy C276 Body 2" – 48".....	38
Style DL 600# Hastelloy C276 Body 2" – 42".....	39
Style DL 900# Hastelloy C276 Body 2" – 24".....	40
Style DL 1500# Hastelloy C276 Body 2" – 24".....	41
Style DL 150# Monel Body 2" – 48".....	42
Style DL 300# Monel Body 2" – 48".....	43
Style DL 600# Monel Body 2" – 42".....	44
Style DL 900# Monel Body 2" – 24".....	45
Style DL 1500# Monel Body 2" – 24".....	46
Style DL 150# Duplex Body 2" – 48".....	47
Style DL 300# Duplex Body 2" – 48".....	48
Style DL 600# Duplex Body 2" – 42".....	49
Style DL 900# Duplex Body 2" – 24".....	50
Style DL 1500# Duplex Body 2" – 24".....	51

Wafer Double Flange Body Double Disc Check Valve

Style DF 150# Low Carbon Steel Body 8" – 48".....	52
Style DF 300# Low Carbon Steel Body 8" – 48".....	53
Style DF 600# Low Carbon Steel Body 12" – 42".....	54
Style DF 900# Low Carbon Steel Body 12" – 24".....	55
Style DF 150# Alloy 20 Body 8" – 48".....	56
Style DF 300# Alloy 20 Body 8" – 48".....	57
Style DF 600# Alloy 20 Body 12" – 42".....	58
Style DF 900# Alloy 20 Body 12" – 24".....	59
Style DF 150# Hastelloy C276 Body 8" – 48".....	60
Style DF 300# Hastelloy C276 Body 8" – 48".....	61
Style DF 600# Hastelloy C276 Body 12" – 42".....	62
Style DF 900# Hastelloy C276 Body 12" – 24".....	63
Style DF 150# Monel Body 8" – 48".....	64
Style DF 300# Monel Body 8" – 48".....	65
Style DF 600# Monel Body 12" – 42".....	66
Style DF 900# Monel Body 12" – 24".....	67
Style DF 150# Duplex Body 8" – 48".....	68
Style DF 300# Duplex Body 8" – 48".....	69
Style DF 600# Duplex Body 12" – 42".....	70
Style DF 900# Duplex Body 12" – 24".....	71

Short Pattern & Long Pattern Wafer Check Valve

Style SP and LP 150# Alloy 20 Body 1-1/2" – 60".....	72
Style SP and LP 300# Alloy 20 Body 2" – 42".....	73
Style SP and LP 600# Alloy 20 Body 2" – 36".....	74
Style SP and LP 900# Alloy 20 Body 2" – 36".....	75
Style SP and LP 1500# Alloy 20 Body 1-1/2" – 12".....	76
Style SP and LP 150# Hastelloy C276 Body 1-1/2" – 60".....	77
Style SP and LP 300# Hastelloy C276 Body 2" – 42".....	78
Style SP and LP 600# Hastelloy C276 Body 2" – 36".....	79
Style SP and LP 900# Hastelloy C276 Body 2" – 36".....	80
Style SP and LP 1500# Hastelloy C276 Body 1-1/2" – 12".....	81
Style SP and LP 150# Monel Body 1-1/2" – 60".....	82
Style SP and LP 300# Monel Body 2" – 42".....	83
Style SP and LP 600# Monel Body 2" – 36".....	84
Style SP and LP 900# Monel Body 2" – 36".....	85
Style SP and LP 1500# Monel Body 1-1/2" – 12".....	86
Style SP and LP 150# Titanium Body 1-1/2" – 60".....	87
Style SP and LP 300# Titanium Body 2" – 42".....	88
Style SP and LP 600# Titanium Body 2" – 36".....	89
Style SP and LP 900# Titanium Body 2" – 36".....	90
Style SP and LP 1500# Titanium Body 1-1/2" – 12".....	91

Pressure Drop Charts

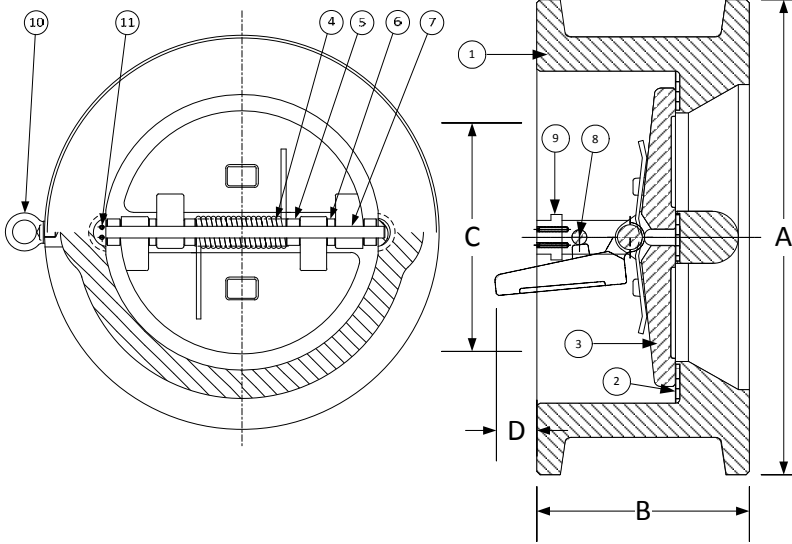
Style DD, DL, and DF.....	92
Style SP and LP.....	93



TECHNICAL DATA
DIMENSIONS AND WEIGHTS

Style DD

**Retainerless Wafer Body
Double Disc Check Valve, 150 lb.
Low Carbon Steel (ASTM A 352, Grade LCB)**



PARTS LIST

ITEM	DESCRIPTION	MATERIAL
1	Body	Low Carbon Steel (ASTM A 352, Grade LCB)
2	Seat	Viton O-Ring
3	Disc	Low Carbon Steel (ASTM A 352, Grade LCB)
4	Spring	Inconel X-750
5	Spring Plate	Stainless Steel (ASTM A 182, Grade F-316)
6	Thrust Washer	Stainless Steel (ASTM A 182, Grade F-316)
7	Hinge Pin	Stainless Steel (ASTM A 182, Grade F-316)
8	Stop Pin	Stainless Steel (ASTM A 182, Grade F-316)
9	Locating Piece	Stainless Steel (ASTM A 182, Grade F-316)
10	Lifting Lug	Carbon Steel
11	Screw	Stainless Steel (316)

Above "Standard" Product Number – DD2R-LC-LC4IX
Other Options - Reference C2 for available materials.

SIZE		DIMENSIONS								WEIGHTS	
		A		B		C*		D			
in	mm	in	mm	in	mm	in	mm	in	mm	lbs	kgs
2	50	4-1/8	105	2-3/8	60	1-15/16	49	-	-	6	3
2-1/2	65	4-7/8	124	2-5/8	67	2-11/32	60	-	-	10	5
3	80	5-3/8	137	2-7/8	73	2-29/32	74	1/4	6	13	6
4	100	6-7/8	175	2-7/8	73	3-53/64	97	5/8	16	17	8
5	125	7-3/4	197	3-3/8	86	4-13/16	122	7/8	22	27	12
6	150	8-3/4	222	3-7/8	98	5-49/64	146	1-3/8	35	35	16
8	200	11	279	5	127	7-5/8	194	2-1/8	54	70	32
10	250	13-3/8	340	5-3/4	146	9-9/16	243	2-3/4	70	106	48
12	300	16-1/8	410	7-1/8	181	11-3/8	289	3-1/4	83	172	78
14	350	17-3/4	451	7-1/4	184	12-1/2	318	3-1/4	83	200	91
16	400	20-1/4	514	7-1/2	191	15	381	4-7/16	113	275	125
18	450	21-5/8	549	8	203	16-7/8	429	5-3/8	137	315	143
20	500	23-7/8	606	8-5/8	219	18-13/16	478	6-5/16	160	435	197
24	600	28-1/4	718	8-3/4	222	22-5/8	575	8-1/4	210	620	281
30	750	34-3/4	883	13	330	29-1/4	743	9	229	1230	558
36	900	41-1/4	1048	15-1/4	387	35	889	11-15/16	303	2017	915
42	1050	48	1219	17	432	41	1041	15	381	2800	1270
48	1200	54-1/2	1384	20-5/8	524	47	1194	16-3/4	425	3920	1778

*Minimum companion flange bore.

Sizes 30" and larger fit Series A flanges.

Seat Material	Operating Temperature**	
	°F	°C
Buna-N	-20 to 250	-29 to 121
Viton	-20 to 400	-29 to 204
EPDM	-40 to 300	-40 to 149

**Subject to limitations of body material.

Applicable Standards
• Design ASME B16.5
• Design ASME B16.34
• Testing API 598
• Conforms to API 594 & 6D
• MSS SP - 6
• MSS SP - 25
• MSS SP - 55

FLOW COEFFICIENTS

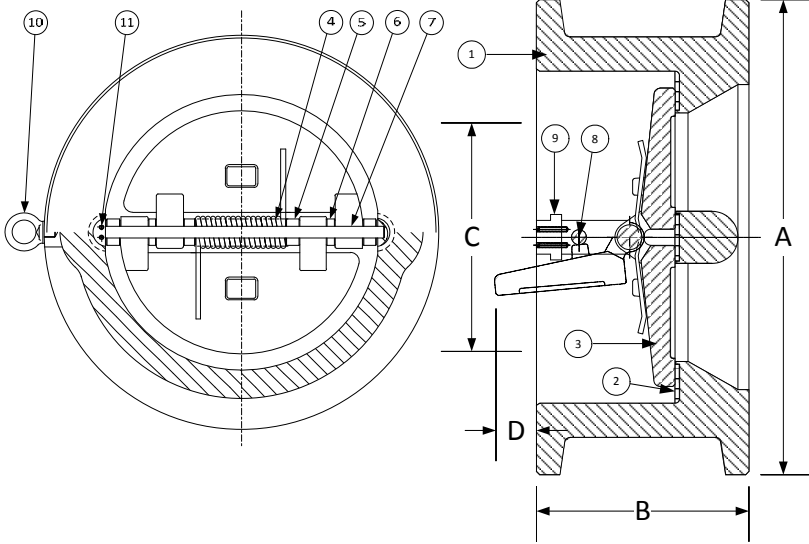
Size	2"	2½"	3"	4"	5"	6"
C _v	48	98	170	290	495	720
Size	8"	10"	12"	14"	16"	18"
C _v	1800	2600	4300	5500	7200	9400
Size	20"	24"	30"	36"	42"	48"
C _v	12600	19000	37500	60000	89000	124000



TECHNICAL DATA
DIMENSIONS AND WEIGHTS

Style DD

**Retainerless Wafer Body
Double Disc Check Valve, 300 lb.
Low Carbon Steel (ASTM A 352, Grade LCB)**



PARTS LIST		
ITEM	DESCRIPTION	MATERIAL
1	Body	Low Carbon Steel (ASTM A 352, Grade LCB)
2	Seat	Viton O-Ring
3	Disc	Low Carbon Steel (ASTM A 352, Grade LCB)
4	Spring	Inconel X-750
5	Spring Plate	Stainless Steel (ASTM A 182, Grade F-316)
6	Thrust Washer	Stainless Steel (ASTM A 182, Grade F-316)
7	Hinge Pin	Stainless Steel (ASTM A 182, Grade F-316)
8	Stop Pin	Stainless Steel (ASTM A 182, Grade F-316)
9	Locating Piece	Stainless Steel (ASTM A 182, Grade F-316)
10	Lifting Lug	Carbon Steel
11	Screw	Stainless Steel (316)

Above "Standard" Product Number - DD4R-LC-LC4IX
Other Options - Reference C2 for available materials.

SIZE		DIMENSIONS								WEIGHTS	
		A		B		C*		D			
in	mm	in	mm	in	mm	in	mm	in	mm	lbs	kgs
2	50	4-3/8	111	2-3/8	60	1-15/16	49	-	-	7	3
2-1/2	65	5-1/8	130	2-5/8	67	2-11/32	60	-	-	11	5
3	80	5-7/8	149	2-7/8	73	2-29/32	74	1/4	6	15	7
4	100	7-1/8	181	2-7/8	73	3-53/64	97	5/8	16	18	8
5	125	8-1/2	216	3-3/8	86	4-13/16	122	7/8	22	35	16
6	150	9-7/8	251	3-7/8	98	5-49/64	146	1-3/8	35	45	20
8	200	12-1/8	308	5	127	7-5/8	194	2-1/8	54	82	37
10	250	14-1/4	362	5-3/4	146	9-9/16	243	2-3/4	70	125	57
12	300	16-5/8	422	7-1/8	181	11-3/8	289	3-1/4	83	200	91
14	350	19-1/8	486	8-3/4	222	12-1/2	318	3-3/16	81	325	147
16	400	21-1/4	540	9-1/8	232	14-5/16	364	4-1/8	105	415	188
18	450	23-1/2	597	10-3/8	264	16-7/8	429	4-13/16	122	555	252
20	500	25-3/4	654	11-1/2	292	17-15/16	456	5-5/8	143	725	329
24	600	30-1/2	775	12-1/2	318	21-9/16	548	7-1/16	179	1100	499
30	750	37-1/2	953	14-1/2	396	28-3/4	730	9-1/16	230	2050	930
36	900	44	1118	19	483	35	889	11-3/16	284	3573	1621
42	1050	45-7/8	1289	22-3/8	568	41	1041	14-3/4	375	4723	2147
48	1200	52-1/8	1492	24-3/4	629	47	1194	16-1/2	419	6090	2768

*Minimum companion flange bore.

Sizes 30" and larger fit Series A flanges.

Seat Material	Operating Temperature**	
	°F	°C
Buna-N	-20 to 250	-29 to 121
Viton	-20 to 400	-29 to 204
EPDM	-40 to 300	-40 to 149

**Subject to limitations of body material.

Applicable Standards
• Design ASME B16.5
• Design ASME B16.34
• Testing API 598
• Conforms to API 594 & 6D
• MSS SP - 6
• MSS SP - 25
• MSS SP - 55

FLOW COEFFICIENTS

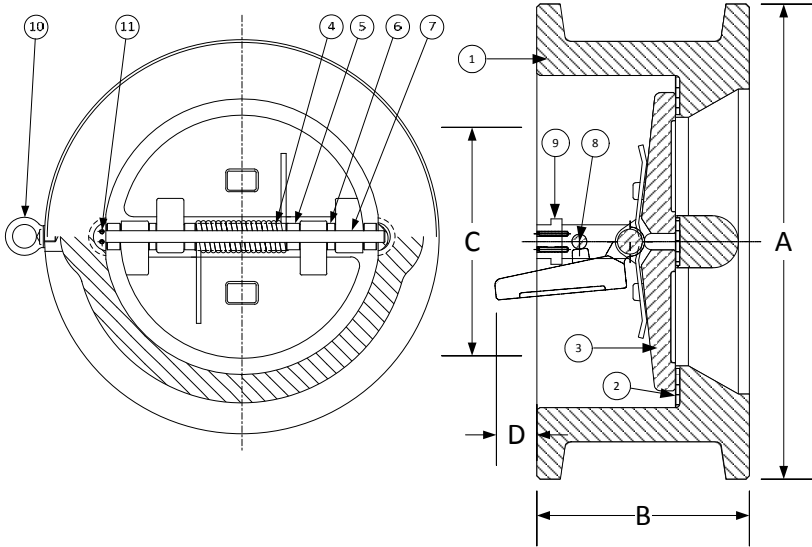
Size	2"	2½"	3"	4"	5"	6"
C _v	48	98	170	290	495	720
Size	8"	10"	12"	14"	16"	18"
C _v	1800	2600	4300	5500	7200	9400
Size	20"	24"	30"	36"	42"	48"
C _v	12600	19000	37500	60000	89000	124000



TECHNICAL DATA
DIMENSIONS AND WEIGHTS

Style DD

**Retainerless Wafer Body
Double Disc Check Valve, 600 lb.
Low Carbon Steel (ASTM A 352, Grade LCB)**



PARTS LIST		
ITEM	DESCRIPTION	MATERIAL
1	Body	Low Carbon Steel (ASTM A 216, Grade WCB)
2	Seat	Viton O-Ring
3	Disc	Low Carbon Steel (ASTM A 216, Grade WCB)
4	Spring	Inconel X-750
5	Spring Plate	Stainless Steel (ASTM A 182, Grade F-316)
6	Thrust Washer	Stainless Steel (ASTM A 182, Grade F-316)
7	Hinge Pin	Stainless Steel (ASTM A 182, Grade F-316)
8	Stop Pin	Stainless Steel (ASTM A 182, Grade F-316)
9	Locating Piece	Stainless Steel (ASTM A 182, Grade F-316)
10	Lifting Lug	Carbon Steel
11	Screw	Stainless Steel (316)

Above "Standard" Product Number – DD5R-LC-LC4IX
Other Options - Reference C2 for available materials.

SIZE		DIMENSIONS								WEIGHTS	
		A		B		C*		D			
in	mm	in	mm	in	mm	in	mm	in	mm	lbs	kgs
2	50	4-3/8	111	2-3/8	60	1-15/16	49	-	-	7	3
2-1/2	65	5-1/8	130	2-5/8	67	2-11/32	60	1/8	3	11	5
3	80	5-7/8	149	2-7/8	73	2-29/32	74	1/4	6	15	7
4	100	7-5/8	194	3-1/8	79	3-53/64	97	7/8	22	26	12
5	125	9-1/2	241	4-1/8	105	4-13/16	122	1	25	50	23
6	150	10-1/2	267	5-3/8	136	5-49/64	146	1-7/16	36	80	36
8	200	12-5/8	321	6-1/2	165	7-5/8	194	2	51	135	61
10	250	15-3/4	400	8-3/8	213	9-9/16	243	2-9/32	58	238	108
12	300	18	457	9	229	11-3/8	289	3-15/32	88	333	151
14	350	19-3/8	492	10-3/4	273	12-1/2	318	2-3/4	70	455	206
16	400	22-1/4	565	12	305	14-5/16	364	4-5/16	110	640	290
18	450	24-1/8	613	14-1/4	362	16-1/8	410	3-11/16	94	890	404
20	500	26-7/8	686	14-1/2	368	17-15/16	456	5-5/16	135	1120	508
24	600	31-1/8	791	17-1/4	438	21-9/16	548	6-9/16	167	2040	925
30	750	38-1/4	972	19-7/8	505	28-3/4	730	9-9/16	243	3375	1531
36	900	44-1/2	1130	25	635	33-3/4	857	11-15/16	303	6300	2858
42	1050	48	1219	27-5/8	702	39-1/2	1003	14-1/4	362	8447	3832

*Minimum companion flange bore.

Sizes 30" and larger fit Series A flanges.

Seat Material	Operating Temperature**	
	°F	°C
Buna-N	-20 to 250	-29 to 121
Viton	-20 to 400	-29 to 204
EPDM	-40 to 300	-40 to 149

Applicable Standards
• Design ASME B16.5
• Design ASME B16.34
• Testing API 598
• Conforms to API 594 & 6D
• MSS SP – 6
• MSS SP – 25
• MSS SP – 55

**Subject to limitations of body material.

FLOW COEFFICIENTS

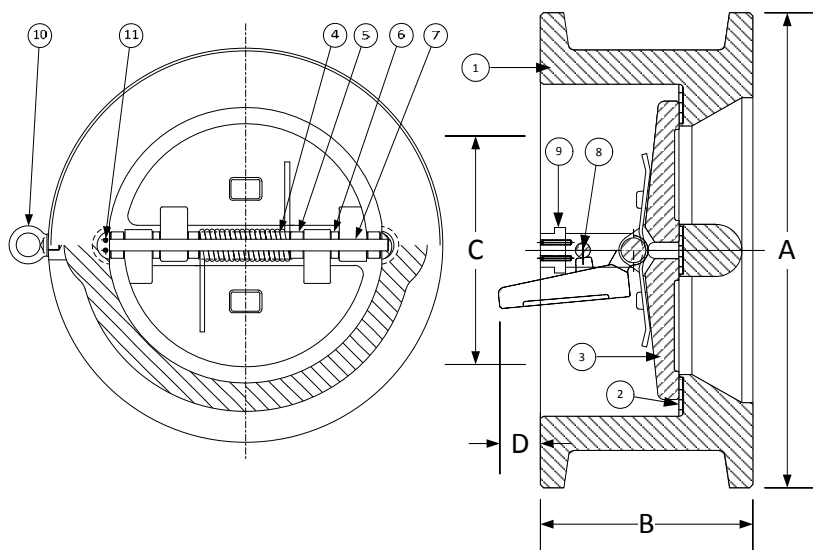
Size	2"	2½"	3"	4"	5"	6"
C _v	48	98	170	290	495	720
Size	8"	10"	12"	14"	16"	18"
C _v	1800	2600	4300	5500	7200	9400
Size	20"	24"	30"	36"	42"	
C _v	12600	19000	37500	60000	89000	



TECHNICAL DATA
DIMENSIONS AND WEIGHTS

Style DD

**Retainerless Wafer Body
Double Disc Check Valve, 900 lb.
Low Carbon Steel (ASTM A 352, Grade LCB)**



PARTS LIST

ITEM	DESCRIPTION	MATERIAL
1	Body	Low Carbon Steel (ASTM A 352, Grade LCB)
2	Seat	Viton O-Ring
3	Disc	Low Carbon Steel (ASTM A 352, Grade LCB)
4	Spring	Inconel X-750
5	Spring Plate	Stainless Steel (ASTM A 182, Grade F-316)
6	Thrust Washer	Stainless Steel (ASTM A 182, Grade F-316)
7	Hinge Pin	Stainless Steel (ASTM A 182, Grade F-316)
8	Stop Pin	Stainless Steel (ASTM A 182, Grade F-316)
9	Locating Piece	Stainless Steel (ASTM A 182, Grade F-316)
10	Lifting Lug	Carbon Steel
11	Screw	Stainless Steel (316)

Above "Standard" Product Number - DD6R-LC-LC4IX
Other Options - Reference C2 for available materials.

SIZE		DIMENSIONS								WEIGHTS	
		A		B		C*		D			
in	mm	in	mm	in	mm	in	mm	in	mm	lbs	kgs
2	50	5-5/8	143	2-3/4	70	1-11/16	43	-	-	14	6
2-1/2	65	6-1/2	165	3-1/4	83	2-1/8	54	1/16	2	16	7
3	80	6-5/8	168	3-1/4	83	2-5/8	67	5/16	8	24	11
4	100	8-1/8	206	4	102	3-7/16	87	9/16	14	40	18
5	125	9-3/4	248	-	-	4-5/16	110	-	-	-	-
6	150	11-3/8	289	6-1/4	159	5-3/16	132	1-1/16	27	115	52
8	200	14-1/8	359	8-1/8	206	6-13/16	173	1-13/32	36	229	104
10	250	17-1/8	435	9-1/2	241	8-1/2	216	1-13/16	46	388	176
12	300	19-5/8	498	11-1/2	292	10-1/8	257	2-5/16	59	540	245
14	350	20-1/2	521	14	356	11-1/2	292	2	51	926	420
16	400	22-5/8	575	15-1/8	384	12-13/16	325	2-5/8	67	1152	523
18	450	25-1/8	638	17-3/4	451	14-7/16	367	2-9/16	65	1318	598
20	500	27-1/2	699	17-3/4	451	17-15/16	456	5-5/16	135	1426	647
24	600	33	838	19-1/2	495	21-1/2	546	5-5/8	143	2729	1238

*Minimum companion flange bore.

Seat Material	Operating Temperature**	
	°F	°C
Buna-N	-20 to 250	-29 to 121
Viton	-20 to 400	-29 to 204
EPDM	-40 to 300	-40 to 149

**Subject to limitations of body material.

Applicable Standards
• Design ASME B16.5
• Design ASME B16.34
• Testing API 598
• Conforms to API 594 & 6D
• MSS SP - 6
• MSS SP - 25
• MSS SP - 55

FLOW COEFFICIENTS

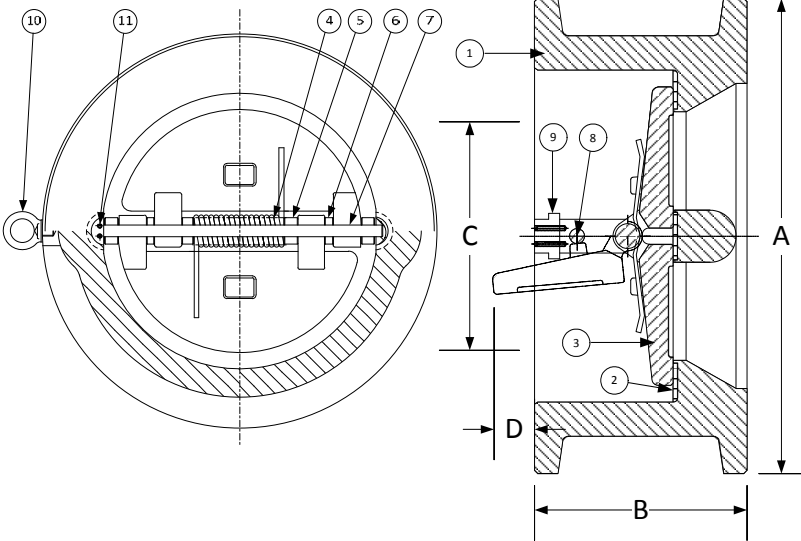
Size	2"	2½"	3"	4"	5"	6"
C _v	48	98	170	290	495	720
Size	8"	10"	12"	14"	16"	18"
C _v	1800	2600	4300	5500	7200	9400
Size	20"	24"				
C _v	12600	19000				



TECHNICAL DATA
DIMENSIONS AND WEIGHTS

Style DD

**Retainerless Wafer Body
Double Disc Check Valve, 1500 lb.
Low Carbon Steel (ASTM A 352, Grade LCB)**



PARTS LIST

ITEM	DESCRIPTION	MATERIAL
1	Body	Low Carbon Steel (ASTM A 352, Grade LCB)
2	Seat	Viton O-Ring
3	Disc	Low Carbon Steel (ASTM A 352, Grade LCB)
4	Spring	Inconel X-750
5	Spring Plate	Stainless Steel (ASTM A 182, Grade F-316)
6	Thrust Washer	Stainless Steel (ASTM A 182, Grade F-316)
7	Hinge Pin	Stainless Steel (ASTM A 182, Grade F-316)
8	Stop Pin	Stainless Steel (ASTM A 182, Grade F-316)
9	Locating Piece	Stainless Steel (ASTM A 182, Grade F-316)
10	Lifting Lug	Carbon Steel
11	Screw	Stainless Steel (316)

Above "Standard" Product Number - DD7R-LC-LC4IX
Other Options - Reference C2 for available materials.

SIZE		DIMENSIONS								WEIGHTS	
		A		B		C*		D			
in	mm	in	mm	in	mm	in	mm	in	mm	lbs	kgs
2	50	5-5/8	143	2-3/4	70	1-11/16	43	-	-	14	6
2-1/2	65	6-1/2	165	3-1/4	83	2-1/8	54	1/16	2	16	7
3	80	6-7/8	175	3-1/4	83	2-5/8	67	5/16	8	25	11
4	100	8-1/4	210	4	102	3-7/16	87	9-1/16	14	53	20
5	125	10	254	-	-	4-5/16	110	-	-	-	-
6	150	11-1/8	283	6-1/4	159	5-3/16	132	1-1/16	27	110	50
8	200	13-7/8	352	8-1/8	206	6-13/16	173	1-13/32	36	219	99
10	250	17-1/8	435	9-3/4	248	8-1/2	216	1-11/16	43	397	180
12	300	20-1/2	521	12	305	10-1/8	257	2-1/4	57	725	329
14	350	22-3/4	578	14	356	11-1/2	292	2	51	948	430
16	400	25-1/4	641	15-1/8	384	12-13/16	325	2-5/8	67	1380	627
18	450	27-3/4	705	18-7/16	468	13-3/4	349	2-11/16	68	1900	863
20	500	29-3/4	756	21	533	14-3/4	375	4	102	2750	1247
24	600	35-1/2	902	22	559	15-1/8	384	4-1/8	105	4409	2000

*Minimum companion flange bore.

Seat Material	Operating Temperature**	
	°F	°C
Buna-N	-20 to 250	-29 to 121
Viton	-20 to 400	-29 to 204
EPDM	-40 to 300	-40 to 149

**Subject to limitations of body material.

Applicable Standards
• Design ASME B16.5
• Design ASME B16.34
• Testing API 598
• Conforms to API 594 & 6D
• MSS SP - 6
• MSS SP - 25
• MSS SP - 55

FLOW COEFFICIENTS

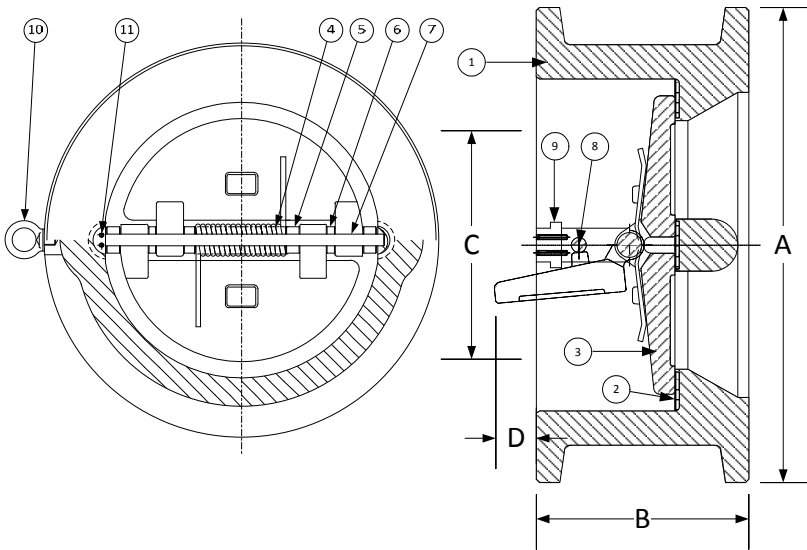
Size	2"	2½"	3"	4"	5"	6"
C _v	48	98	170	290	495	720
Size	8"	10"	12"	14"	16"	18"
C _v	1800	2600	4300	5500	7200	9400
Size	20"	24"				
C _v	12600	19000				



TECHNICAL DATA
DIMENSIONS AND WEIGHTS

Style DD

**Retainerless Wafer Body
Double Disc Check Valve, 150 lb.
Alloy 20 (ASTM A 351, Grade CN7M)**



PARTS LIST		
ITEM	DESCRIPTION	MATERIAL
1	Body	Alloy 20 (ASTM A 351, Grade CN7M)
2	Seat	Viton
3	Disc	Alloy 20 (ASTM A 351, Grade CN7M)
4	Spring	Inconel X-750
5	Spring Plate	Stainless Steel (ASTM A 182, Grade F-316)
6	Thrust Washer	Stainless Steel (ASTM A 182, Grade F-316)
7	Hinge Pin	Stainless Steel (ASTM A 182, Grade F-316)
8	Stop Pin	Stainless Steel (ASTM A 182, Grade F-316)
9	Locating Piece	Stainless Steel (ASTM A 182, Grade F-316)
10	Lifting Lug	Carbon Steel
11	Screw	Stainless Steel (316)

Above "Standard" Product Number – DD2R-A2-A24IX
Other Options - Reference C2 for available materials.

SIZE		DIMENSIONS								WEIGHTS	
		A		B		C*		D			
in	mm	in	mm	in	mm	in	mm	in	mm	lbs	kgs
2	50	4-1/8	105	2-3/8	60	1-15/16	49	-	-	6	3
2-1/2	65	4-7/8	124	2-5/8	67	2-11/32	60	-	-	10	5
3	80	5-3/8	137	2-7/8	73	2-29/32	74	1/4	6	13	6
4	100	6-7/8	175	2-7/8	73	3-53/64	97	5/8	16	17	8
5	125	7-3/4	197	3-3/8	86	4-13/16	122	7/8	22	27	12
6	150	8-3/4	222	3-7/8	98	5-49/64	146	1-3/8	35	35	16
8	200	11	279	5	127	7-5/8	194	2-1/8	54	70	32
10	250	13-3/8	340	5-3/4	146	9-9/16	243	2-3/4	70	106	48
12	300	16-1/8	410	7-1/8	181	11-3/8	289	3-1/4	83	172	78
14	350	17-3/4	451	7-1/4	184	12-1/2	318	3-1/4	83	200	91
16	400	20-1/4	514	7-1/2	191	15	381	4-7/16	113	275	125
18	450	21-5/8	549	8	203	16-7/8	429	5-3/8	137	315	143
20	500	23-7/8	606	8-5/8	219	18-13/16	478	6-5/16	160	435	197
24	600	28-1/4	718	8-3/4	222	22-5/8	575	8-1/4	210	620	281
30	750	34-3/4	883	13	330	29-1/4	743	9	229	1230	558
36	900	41-1/4	1048	15-1/4	387	35	889	11-15/16	303	2017	915
42	1050	48	1219	17	432	41	1041	15	381	2800	1270
48	1200	54-1/2	1384	20-5/8	524	47	1194	16-3/4	425	3920	1778

*Minimum companion flange bore.

Sizes 30" and larger fit Series A flanges.

Seat Material	Operating Temperature**	
	°F	°C
Buna-N	-20 to 250	-29 to 121
Viton	-20 to 400	-29 to 204
EPDM	-40 to 300	-40 to 149

**Subject to limitations of body material.

Applicable Standards
• Design ASME B16.5
• Design ASME B16.34
• Testing API 598
• Conforms to API 594 & 6D
• MSS SP - 6
• MSS SP - 25
• MSS SP - 55

FLOW COEFFICIENTS

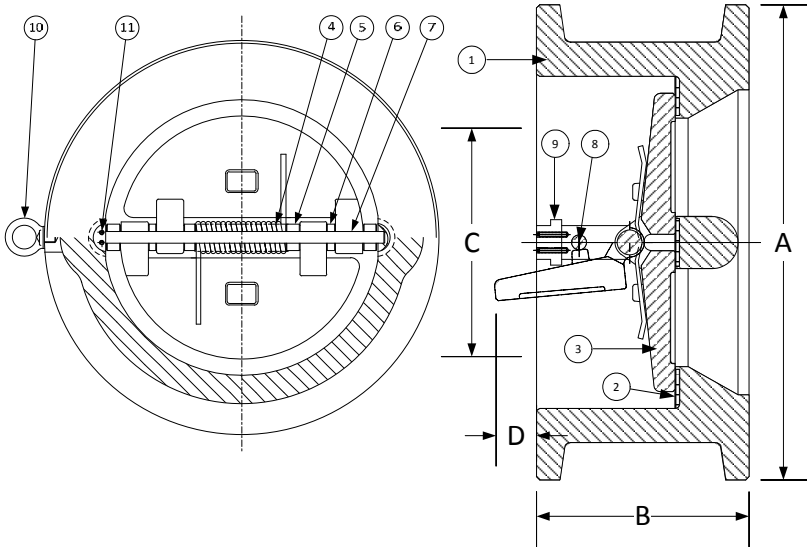
Size	2"	2½"	3"	4"	5"	6"
C _v	48	98	170	290	495	720
Size	8"	10"	12"	14"	16"	18"
C _v	1800	2600	4300	5500	7200	9400
Size	20"	24"	30"	36"	42"	48"
C _v	12600	19000	37500	60000	89000	124000



TECHNICAL DATA
DIMENSIONS AND WEIGHTS

Style DD

**Retainerless Wafer Body
Double Disc Check Valve, 300 lb.
Alloy 20 (ASTM A 351, Grade CN7M)**



PARTS LIST

ITEM	DESCRIPTION	MATERIAL
1	Body	Alloy 20 (ASTM A 351, Grade CN7M)
2	Seat	Viton O-Ring
3	Disc	Alloy 20 (ASTM A 351, Grade CN7M)
4	Spring	Inconel X-750
5	Spring Plate	Stainless Steel (ASTM A 182, Grade F-316)
6	Thrust Washer	Stainless Steel (ASTM A 182, Grade F-316)
7	Hinge Pin	Stainless Steel (ASTM A 182, Grade F-316)
8	Stop Pin	Stainless Steel (ASTM A 182, Grade F-316)
9	Locating Piece	Stainless Steel (ASTM A 182, Grade F-316)
10	Lifting Lug	Carbon Steel
11	Screw	Stainless Steel (316)

Above "Standard" Product Number – **DD4R-A2-A24IX**
Other Options - Reference **C2** for available materials.

SIZE		DIMENSIONS								WEIGHTS	
		A		B		C*		D			
in	mm	in	mm	in	mm	in	mm	in	mm	lbs	kgs
2	50	4-3/8	111	2-3/8	60	1-15/16	49	-	-	7	3
2-1/2	65	5-1/8	130	2-5/8	67	2-11/32	60	-	-	11	5
3	80	5-7/8	149	2-7/8	73	2-29/32	74	1/4	6	15	7
4	100	7-1/8	181	2-7/8	73	3-53/64	97	5/8	16	18	8
5	125	8-1/2	216	3-3/8	86	4-13/16	122	7/8	22	35	16
6	150	9-7/8	251	3-7/8	98	5-49/64	146	1-3/8	35	45	20
8	200	12-1/8	308	5	127	7-5/8	194	2-1/8	54	82	37
10	250	14-1/4	362	5-3/4	146	9-9/16	243	2-3/4	70	125	57
12	300	16-5/8	422	7-1/8	181	11-3/8	289	3-1/4	83	200	91
14	350	19-1/8	486	8-3/4	222	12-1/2	318	3-3/16	81	325	147
16	400	21-1/4	540	9-1/8	232	14-5/16	364	4-1/8	105	415	188
18	450	23-1/2	597	10-3/8	264	16-7/8	429	4-13/16	122	555	252
20	500	25-3/4	654	11-1/2	292	17-15/16	456	5-5/8	143	725	329
24	600	30-1/2	775	12-1/2	318	21-9/16	548	7-1/16	179	1100	499
30	750	37-1/2	953	14-1/2	396.8	28-3/4	730	9-1/16	230	2050	930
36	900	44	1118	19	483	35	889	11-3/16	284	3573	1621
42	1050	45-7/8	1289	22-3/8	568	41	1041	14-3/4	375	4723	2147
48	1200	52-1/8	1492	24-3/4	629	47	1194	16-1/2	419	6090	2768

*Minimum companion flange bore.

Sizes 30" and larger fit Series A flanges.

Seat Material	Operating Temperature**	
	°F	°C
Buna-N	-20 to 250	-29 to 121
Viton	-20 to 400	-29 to 204
EPDM	-40 to 300	-40 to 149

**Subject to limitations of body material.

Applicable Standards
• Design ASME B16.5
• Design ASME B16.34
• Testing API 598
• Conforms to API 594 & 6D
• MSS SP - 6
• MSS SP - 25
• MSS SP - 55

FLOW COEFFICIENTS

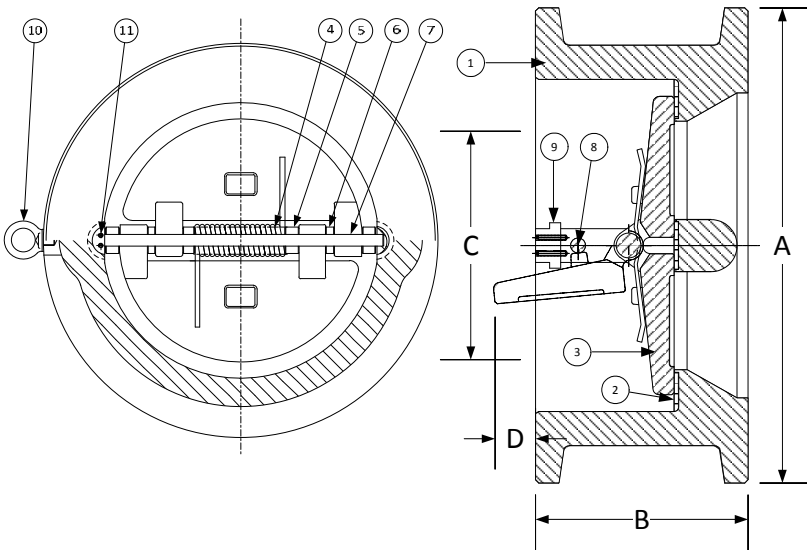
Size	2"	2½"	3"	4"	5"	6"
C _v	48	98	170	290	495	720
Size	8"	10"	12"	14"	16"	18"
C _v	1800	2600	4300	5500	7200	9400
Size	20"	24"	30"	36"	42"	48"
C _v	12600	19000	37500	60000	89000	124000



TECHNICAL DATA
DIMENSIONS AND WEIGHTS

Style DD

**Retainerless Wafer Body
Double Disc Check Valve, 600 lb.
Alloy 20 (ASTM A 351, Grade CN7M)**



PARTS LIST		
ITEM	DESCRIPTION	MATERIAL
1	Body	Alloy 20 (ASTM A 351, Grade CN7M)
2	Seat	Viton O-Ring
3	Disc	Alloy 20 (ASTM A 351, Grade CN7M)
4	Spring	Inconel X-750
5	Spring Plate	Stainless Steel (ASTM A 182, Grade F-316)
6	Thrust Washer	Stainless Steel (ASTM A 182, Grade F-316)
7	Hinge Pin	Stainless Steel (ASTM A 182, Grade F-316)
8	Stop Pin	Stainless Steel (ASTM A 182, Grade F-316)
9	Locating Piece	Stainless Steel (ASTM A 182, Grade F-316)
10	Lifting Lug	Carbon Steel
11	Screw	Stainless Steel (316)

Above "Standard" Product Number – DD5R-A2-A24IX
Other Options - Reference C2 for available materials.

SIZE		DIMENSIONS								WEIGHTS	
		A		B		C*		D			
in	mm	in	mm	in	mm	in	mm	in	mm	lbs	kgs
2	50	4-3/8	111	2-3/8	60	1-15/16	49	-	-	7	3
2-1/2	65	5-1/8	130	2-5/8	67	2-11/32	60	1/8	3	11	5
3	80	5-7/8	149	2-7/8	73	2-29/32	74	1/4	6	15	7
4	100	7-5/8	194	3-1/8	79	3-53/64	97	7/8	22	26	12
5	125	9-1/2	241	4-1/8	105	4-13/16	122	1	25	50	23
6	150	10-1/2	267	5-3/8	136	5-49/64	146	1-7/16	36	80	36
8	200	12-5/8	321	6-1/2	165	7-5/8	194	2	51	135	61
10	250	15-3/4	400	8-3/8	213	9-9/16	243	2-9/32	58	238	108
12	300	18	457	9	229	11-3/8	289	3-15/32	88	333	151
14	350	19-3/8	492	10-3/4	273	12-1/2	318	2-3/4	70	455	206
16	400	22-1/4	565	12	305	14-5/16	364	4-5/16	110	640	290
18	450	24-1/8	613	14-1/4	362	16-1/8	410	3-11/16	94	890	404
20	500	26-7/8	386	14-1/2	368	17-15/16	456	5-5/16	135	1120	508
24	600	31-1/8	791	17-1/4	438	21-9/16	548	6-9/16	167	2040	925
30	750	38-1/4	972	19-7/8	505	28-3/4	730	9-9/16	243	3375	1531
36	900	44-1/2	1130	25	635	33-3/4	857	11-15/16	303	6300	2858
42	1050	48	1219	27-5/8	702	39-1/2	1003	14-1/4	362	8447	3832

*Minimum companion flange bore.

Sizes 30" and larger fit Series A flanges.

Seat Material	Operating Temperature**	
	°F	°C
Buna-N	-20 to 250	-29 to 121
Viton	-20 to 400	-29 to 204
EPDM	-40 to 300	-40 to 149

**Subject to limitations of body material.

Applicable Standards
• Design ASME B16.5
• Design ASME B16.34
• Testing API 598
• Conforms to API 594 & 6D
• MSS SP – 6
• MSS SP – 25
• MSS SP – 55

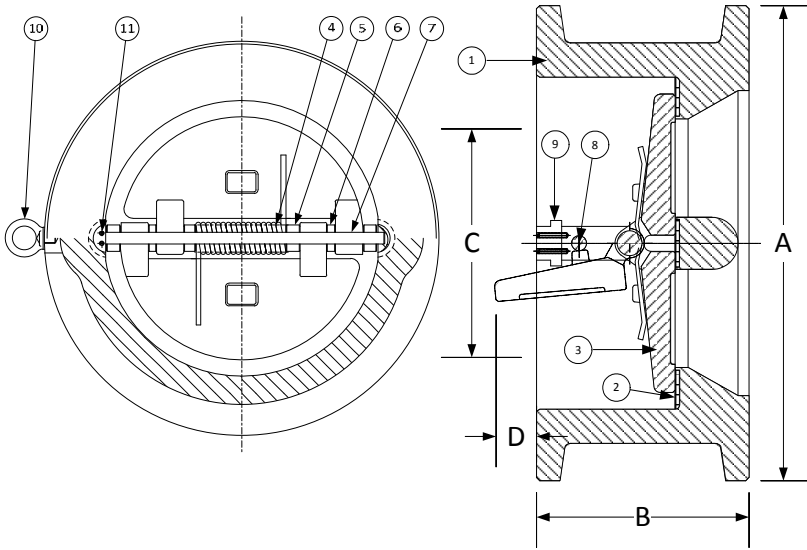
FLOW COEFFICIENTS						
Size	2"	2½"	3"	4"	5"	6"
C _v	48	98	170	290	495	720
Size	8"	10"	12"	14"	16"	18"
C _v	1800	2600	4300	5500	7200	9400
Size	20"	24"	30"	36"	42"	
C _v	12600	19000	37500	60000	89000	



TECHNICAL DATA
DIMENSIONS AND WEIGHTS

Style DD

**Retainerless Wafer Body
Double Disc Check Valve, 900 lb.
Alloy 20 (ASTM A 351, Grade CN7M)**



PARTS LIST

ITEM	DESCRIPTION	MATERIAL
1	Body	Alloy 20 (ASTM A 351, Grade CN7M)
2	Seat	Viton O-Ring
3	Disc	Alloy 20 (ASTM A 351, Grade CN7M)
4	Spring	Inconel X-750
5	Spring Plate	Stainless Steel (ASTM A 182, Grade F-316)
6	Thrust Washer	Stainless Steel (ASTM A 182, Grade F-316)
7	Hinge Pin	Stainless Steel (ASTM A 182, Grade F-316)
8	Stop Pin	Stainless Steel (ASTM A 182, Grade F-316)
9	Locating Piece	Stainless Steel (ASTM A 182, Grade F-316)
10	Lifting Lug	Carbon Steel
11	Screw	Stainless Steel (316)

Above "Standard" Product Number – **DD6R-A2-A24IX**
Other Options - Reference **C2** for available materials.

SIZE		DIMENSIONS								WEIGHTS	
		A		B		C*		D			
in	mm	in	mm	in	mm	in	mm	in	mm	lbs	kgs
2	50	5-5/8	143	2-3/4	70	1-11/16	43	-	-	14	6
2-1/2	65	6-1/2	165	3-1/4	83	2-1/8	54	1/16	2	16	7
3	80	6-5/8	168	3-1/4	83	2-5/8	67	5/16	8	24	11
4	100	8-1/8	206	4	102	3-7/16	87	9/16	14	40	18
5	125	9-3/4	248	-	-	4-5/16	110	-	-	-	-
6	150	11-3/8	289	6-1/4	159	5-3/16	132	1-1/16	27	115	52
8	200	14-1/8	359	8-1/8	206	6-13/16	173	1-13/32	36	229	104
10	250	17-1/8	435	9-1/2	241	8-1/2	216	1-13/16	46	388	176
12	300	19-5/8	498	11-1/2	292	10-1/8	257	2-5/16	59	540	245
14	350	20-1/2	521	14	356	11-1/2	292	2	51	926	420
16	400	22-5/8	575	15-1/8	384	12-13/16	325	2-5/8	67	1152	523
18	450	25-1/8	638	17-3/4	451	14-7/16	367	2-9/16	65	1318	598
20	500	27-1/2	699	17-3/4	451	17-15/16	456	5-5/16	135	1426	647
24	600	33	838	19-1/2	495	21-1/2	546	5-5/8	143	2729	1238

*Minimum companion flange bore.

Seat Material	Operating Temperature**	
	°F	°C
Buna-N	-20 to 250	-29 to 121
Viton	-20 to 400	-29 to 204
EPDM	-40 to 300	-40 to 149

**Subject to limitations of body material.

Applicable Standards
• Design ASME B16.5
• Design ASME B16.34
• Testing API 598
• Conforms to API 594 & 6D
• MSS SP – 6
• MSS SP – 25
• MSS SP – 55

FLOW COEFFICIENTS

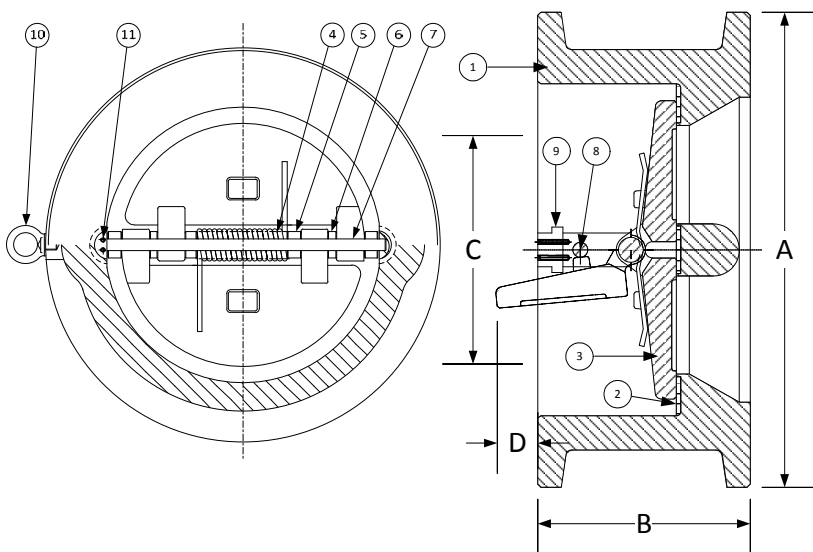
Size	2"	2½"	3"	4"	5"	6"
C _v	48	98	170	290	495	720
Size	8"	10"	12"	14"	16"	18"
C _v	1800	2600	4300	5500	7200	9400
Size	20"	24"				
C _v	12600	19000				



TECHNICAL DATA
DIMENSIONS AND WEIGHTS

Style DD

**Retainerless Wafer Body
Double Disc Check Valve, 1500 lb.
Alloy 20 (ASTM A 351, Grade CN7M)**



PARTS LIST

ITEM	DESCRIPTION	MATERIAL
1	Body	Alloy 20 (ASTM A 351, Grade CF8M)
2	Seat	Viton O-Ring
3	Disc	Alloy 20 (ASTM A 351, Grade CF8M)
4	Spring	Inconel X-750
5	Spring plate	Stainless Steel (ASTM A 182, Grade F-316)
6	Thrust Washer	Stainless Steel (ASTM A 182, Grade F-316)
7	Hinge pin	Stainless Steel (ASTM A 182, Grade F-316)
8	Stop Pin	Stainless Steel (ASTM A 182, Grade F-316)
9	Locating piece	Stainless Steel (ASTM A 182, Grade F-316)
10	Lifting lug	Carbon Steel
11	Screw	Stainless Steel (316)

Above "Standard" Product Number – DD7R-A2-A24IX
Other Options - Reference C2 for available materials.

SIZE		DIMENSIONS								WEIGHTS	
		A		B		C*		D			
in	mm	in	mm	in	mm	in	mm	in	mm	lbs	kgs
2	50	5-5/8	143	2-3/4	70	1-11/16	43	-	-	14	6
2-1/2	65	6-1/2	165	3-1/4	83	2-1/8	54	1/16	2	16	7
3	80	6-7/8	175	3-1/4	83	2-5/8	67	5/16	8	25	11
4	100	8-1/4	210	4	102	3-7/16	87	9-1/16	14	53	20
5	125	10	254	-	-	4-5/16	110	-	-	-	-
6	150	11-1/8	283	6-1/4	159	5-3/16	132	1-1/16	27	110	50
8	200	13-7/8	352	8-1/8	206	6-13/16	173	1-13/32	36	219	99
10	250	17-1/8	435	9-3/4	248	8-1/2	216	1-11/16	43	397	180
12	300	20-1/2	521	12	305	10-1/8	257	2-1/4	57	725	329
14	350	22-3/4	578	14	356	11-1/2	292	2	51	948	430
16	400	25-1/4	641	15-1/8	384	12-13/16	325	2-5/8	67	1380	627
18	450	27-3/4	705	18-7/16	468	13-3/4	349	2-11/16	68	1900	863
20	500	29-3/4	756	21	533	14-3/4	375	4	102	2750	1247
24	600	35-1/2	902	22	559	15-1/8	384	4-1/8	105	4409	2000

*Minimum companion flange bore.

Seat Material	Operating Temperature**	
	°F	°C
Buna-N	-20 to 250	-29 to 121
Viton	-20 to 400	-29 to 204
EPDM	-40 to 300	-40 to 149

**Subject to limitations of body material.

Applicable Standards
• Design ASME B16.5
• Design ASME B16.34
• Testing API 598
• Conforms to API 594 & 6D
• MSS SP – 6
• MSS SP – 25
• MSS SP – 55

FLOW COEFFICIENTS

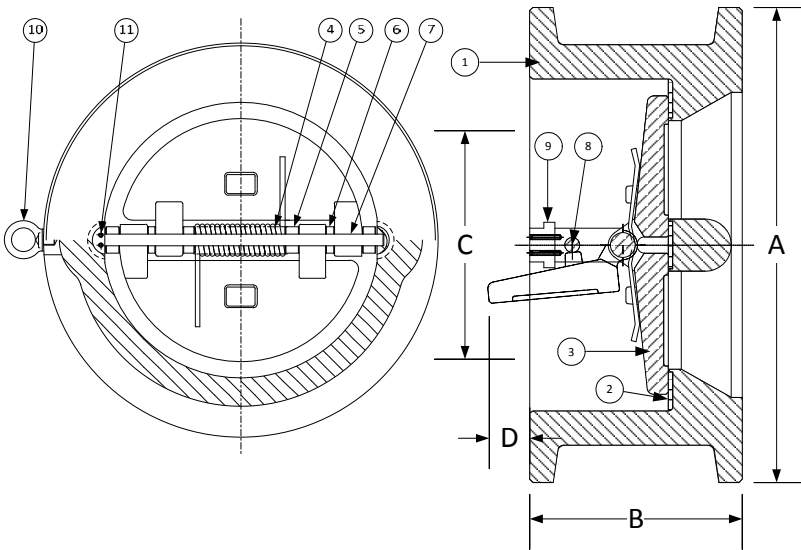
Size	2"	2½"	3"	4"	5"	6"
C _v	48	98	170	290	495	720
Size	8"	10"	12"	14"	16"	18"
C _v	1800	2600	4300	5500	7200	9400
Size	20"	24"				
C _v	12600	19000				



TECHNICAL DATA
DIMENSIONS AND WEIGHTS

Style DD

**Retainerless Wafer Body
Double Disc Check Valve, 150 lb.
Hastelloy C276 (ASTM A 494, Grade CW12MW)**



PARTS LIST		
ITEM	DESCRIPTION	MATERIAL
1	Body	Hastelloy C276 (ASTM A 494, Grade CW12MW)
2	Seat	Viton
3	Disc	Hastelloy C276 (ASTM A 494, Grade CW12MW)
4	Spring	Inconel X-750
5	Spring Plate	Stainless Steel (ASTM A 182, Grade F-316)
6	Thrust Washer	Stainless Steel (ASTM A 182, Grade F-316)
7	Hinge Pin	Stainless Steel (ASTM A 182, Grade F-316)
8	Stop Pin	Stainless Steel (ASTM A 182, Grade F-316)
9	Locating Piece	Stainless Steel (ASTM A 182, Grade F-316)
10	Lifting Lug	Carbon Steel
11	Screw	Stainless Steel (316)

Above "Standard" Product Number – DD2R-HC-HC4IX
Other Options - Reference C2 for available materials.

SIZE		DIMENSIONS								WEIGHTS	
		A		B		C*		D			
in	mm	in	mm	in	mm	in	mm	in	mm	lbs	kgs
2	50	4-1/8	105	2-3/8	60	1-15/16	49	-	-	6	3
2-1/2	65	4-7/8	124	2-5/8	67	2-11/32	60	-	-	10	5
3	80	5-3/8	137	2-7/8	73	2-29/32	74	1/4	6	13	6
4	100	6-7/8	175	2-7/8	73	3-53/64	97	5/8	16	17	8
5	125	7-3/4	197	3-3/8	86	4-13/16	122	7/8	22	27	12
6	150	8-3/4	222	3-7/8	98	5-49/64	146	1-3/8	35	35	16
8	200	11	279	5	127	7-5/8	194	2-1/8	54	70	32
10	250	13-3/8	340	5-3/4	146	9-9/16	243	2-3/4	70	106	48
12	300	16-1/8	410	7-1/8	181	11-3/8	289	3-1/4	83	172	78
14	350	17-3/4	451	7-1/4	184	12-1/2	318	3-1/4	83	200	91
16	400	20-1/4	514	7-1/2	191	15	381	4-7/16	113	275	125
18	450	21-5/8	549	8	203	16-7/8	429	5-3/8	137	315	143
20	500	23-7/8	606	8-5/8	219	18-13/16	478	6-5/16	160	435	197
24	600	28-1/4	718	8-3/4	222	22-5/8	575	8-1/4	210	620	281
30	750	34-3/4	883	13	330	29-1/4	743	9	229	1230	558
36	900	41-1/4	1048	15-1/4	387	35	889	11-15/16	303	2017	915
42	1050	48	1219	17	432	41	1041	15	381	2800	1270
48	1200	54-1/2	1384	20-5/8	524	47	1194	16-3/4	425	3920	1778

*Minimum companion flange bore.

Sizes 30" and larger fit Series A flanges.

Seat Material	Operating Temperature**	
	°F	°C
Buna-N	-20 to 250	-29 to 121
Viton	-20 to 400	-29 to 204
EPDM	-40 to 300	-40 to 149

**Subject to limitations of body material.

Applicable Standards
• Design ASME B16.5
• Design ASME B16.34
• Testing API 598
• Conforms to API 594 & 6D
• MSS SP - 6
• MSS SP - 25
• MSS SP - 55

FLOW COEFFICIENTS

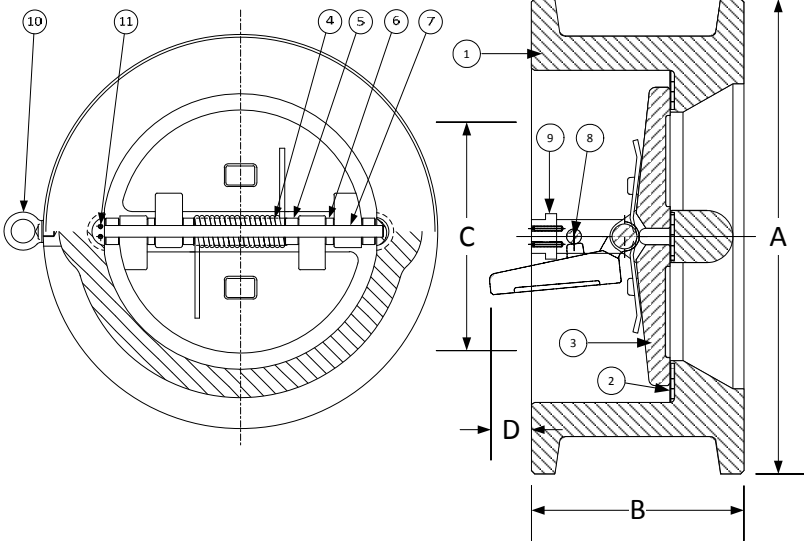
Size	2"	2½"	3"	4"	5"	6"
C _v	48	98	170	290	495	720
Size	8"	10"	12"	14"	16"	18"
C _v	1800	2600	4300	5500	7200	9400
Size	20"	24"	30"	36"	42"	48"
C _v	12600	19000	37500	60000	89000	124000



TECHNICAL DATA
DIMENSIONS AND WEIGHTS

Style DD

**Retainerless Wafer Body
Double Disc Check Valve, 300 lb.
Hastelloy C276 (ASTM A 494, Grade CW12MW)**



PARTS LIST

ITEM	DESCRIPTION	MATERIAL
1	Body	Hastelloy C276 (ASTM A 494, Grade CW12MW)
2	Seat	Viton O-Ring
3	Disc	Hastelloy C276 (ASTM A 494, Grade CW12MW)
4	Spring	Inconel X-750
5	Spring Plate	Stainless Steel (ASTM A 182, Grade F-316)
6	Thrust Washer	Stainless Steel (ASTM A 182, Grade F-316)
7	Hinge Pin	Stainless Steel (ASTM A 182, Grade F-316)
8	Stop Pin	Stainless Steel (ASTM A 182, Grade F-316)
9	Locating Piece	Stainless Steel (ASTM A 182, Grade F-316)
10	Lifting Lug	Carbon Steel
11	Screw	Stainless Steel (316)

Above "Standard" Product Number – DD4R-HC-HC4IX
Other Options - Reference C2 for available materials.

SIZE		DIMENSIONS								WEIGHTS	
		A		B		C*		D			
in	mm	in	mm	in	mm	in	mm	in	mm	lbs	kgs
2	50	4-3/8	111	2-3/8	60	1-15/16	49	-	-	7	3
2-1/2	65	5-1/8	130	2-5/8	67	2-11/32	60	-	-	11	5
3	80	5-7/8	149	2-7/8	73	2-29/32	74	1/4	6	15	7
4	100	7-1/8	181	2-7/8	73	3-53/64	97	5/8	16	18	8
5	125	8-1/2	216	3-3/8	86	4-13/16	122	7/8	22	35	16
6	150	9-7/8	251	3-7/8	98	5-49/64	146	1-3/8	35	45	20
8	200	12-1/8	308	5	127	7-5/8	194	2-1/8	54	82	37
10	250	14-1/4	362	5-3/4	146	9-9/16	243	2-3/4	70	125	57
12	300	16-5/8	422	7-1/8	181	11-3/8	289	3-1/4	83	200	91
14	350	19-1/8	486	8-3/4	222	12-1/2	318	3-3/16	81	325	147
16	400	21-1/4	540	9-1/8	232	14-5/16	364	4-1/8	105	415	188
18	450	23-1/2	597	10-3/8	264	16-7/8	429	4-13/16	122	555	252
20	500	25-3/4	654	11-1/2	292	17-15/16	456	5-5/8	143	725	329
24	600	30-1/2	775	12-1/2	318	21-9/16	548	7-1/16	179	1100	499
30	750	37-1/2	953	14-1/2	396	28-3/4	730	9-1/16	230	2050	930
36	900	44	1118	19	483	35	889	11-3/16	284	3573	1621
42	1050	45-7/8	1289	22-3/8	568	41	1041	14-3/4	375	4723	2147
48	1200	52-1/8	1492	24-3/4	629	47	1194	16-1/2	419	6090	2768

*Minimum companion flange bore.

Sizes 30" and larger fit Series A flanges.

Seat Material	Operating Temperature**	
	°F	°C
Buna-N	-20 to 250	-29 to 121
Viton	-20 to 400	-29 to 204
EPDM	-40 to 300	-40 to 149

**Subject to limitations of body material.

Applicable Standards
• Design ASME B16.5
• Design ASME B16.34
• Testing API 598
• Conforms to API 594 & 6D
• MSS SP - 6
• MSS SP - 25
• MSS SP - 55

FLOW COEFFICIENTS

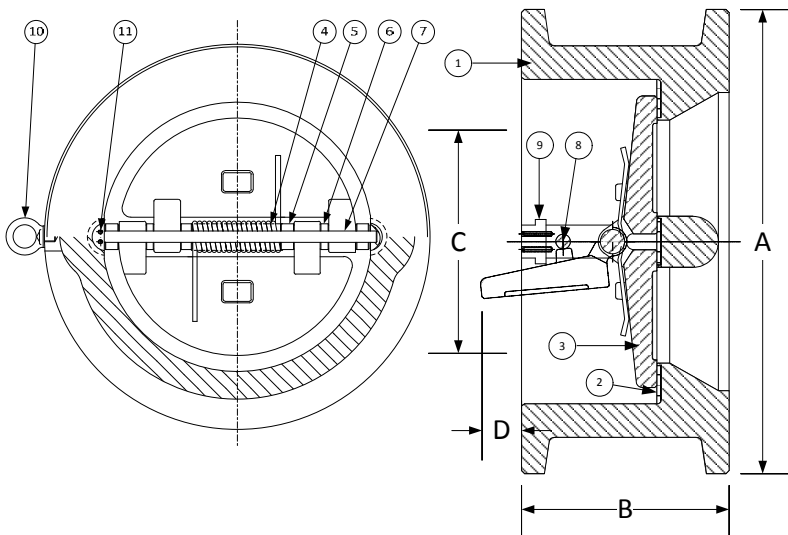
Size	2"	2½"	3"	4"	5"	6"
C _v	48	98	170	290	495	720
Size	8"	10"	12"	14"	16"	18"
C _v	1800	2600	4300	5500	7200	9400
Size	20"	24"	30"	36"	42"	48"
C _v	12600	19000	37500	60000	89000	124000



TECHNICAL DATA
DIMENSIONS AND WEIGHTS

Style DD

**Retainerless Wafer Body
Double Disc Check Valve, 600 lb.
Hastelloy C276 (ASTM A 494, Grade CW12MW)**



PARTS LIST

ITEM	DESCRIPTION	MATERIAL
1	Body	Hastelloy C276(ASTM A 494, Grade CW12MW)
2	Seat	Viton O-Ring
3	Disc	Hastelloy C276(ASTM A 494, Grade CW12MW)
4	Spring	Inconel X-750
5	Spring Plate	Stainless Steel (ASTM A 182, Grade F-316)
6	Thrust Washer	Stainless Steel (ASTM A 182, Grade F-316)
7	Hinge Pin	Stainless Steel (ASTM A 182, Grade F-316)
8	Stop Pin	Stainless Steel (ASTM A 182, Grade F-316)
9	Locating Piece	Stainless Steel (ASTM A 182, Grade F-316)
10	Lifting Lug	Carbon Steel
11	Screw	Stainless Steel (316)

Above "Standard" Product Number - DD5R-HC-HC4IX
Other Options - Reference C2 for available materials.

SIZE		DIMENSIONS								WEIGHTS	
		A		B		C*		D			
in	mm	in	mm	in	mm	in	mm	in	mm	lbs	kgs
2	50	4-3/8	111	2-3/8	60	1-15/16	49	-	-	7	3
2-1/2	65	5-1/8	130	2-5/8	67	2-11/32	60	1/8	3	11	5
3	80	5-7/8	149	2-7/8	73	2-29/32	74	1/4	6	15	7
4	100	7-5/8	194	3-1/8	79	3-53/64	97	7/8	22	26	12
5	125	9-1/2	241	4-1/8	105	4-13/16	122	1	25	50	23
6	150	10-1/2	267	5-3/8	136	5-49/64	146	1-7/16	36	80	36
8	200	12-5/8	321	6-1/2	165	7-5/8	194	2	51	135	61
10	250	15-3/4	400	8-3/8	213	9-9/16	243	2-9/32	58	238	108
12	300	18	457	9	229	11-3/8	289	3-15/32	88	333	151
14	350	19-3/8	492	10-3/4	273	12-1/2	318	2-3/4	70	455	206
16	400	22-1/4	565	12	305	14-5/16	364	4-5/16	110	640	290
18	450	24-1/8	613	14-1/4	362	16-1/8	410	3-11/16	94	890	404
20	500	26-7/8	386	14-1/2	368	17-15/16	456	5-5/16	135	1120	508
24	600	31-1/8	791	17-1/4	438	21-9/16	548	6-9/16	167	2040	925
30	750	38-1/4	972	19-7/8	505	28-3/4	730	9-9/16	243	3375	1531
36	900	44-1/2	1130	25	635	33-3/4	857	11-15/16	303	6300	2858
42	1050	48	1219	27-5/8	702	39-1/2	1003	14-1/4	362	8447	3832

*Minimum companion flange bore.

Sizes 30" and larger fit Series A flanges.

Seat Material	Operating Temperature**	
	°F	°C
Buna-N	-20 to 250	-29 to 121
Viton	-20 to 400	-29 to 204
EPDM	-40 to 300	-40 to 149

**Subject to limitations of body material.

Applicable Standards
• Design ASME B16.5
• Design ASME B16.34
• Testing API 598
• Conforms to API 594 & 6D
• MSS SP - 6
• MSS SP - 25
• MSS SP - 55

FLOW COEFFICIENTS

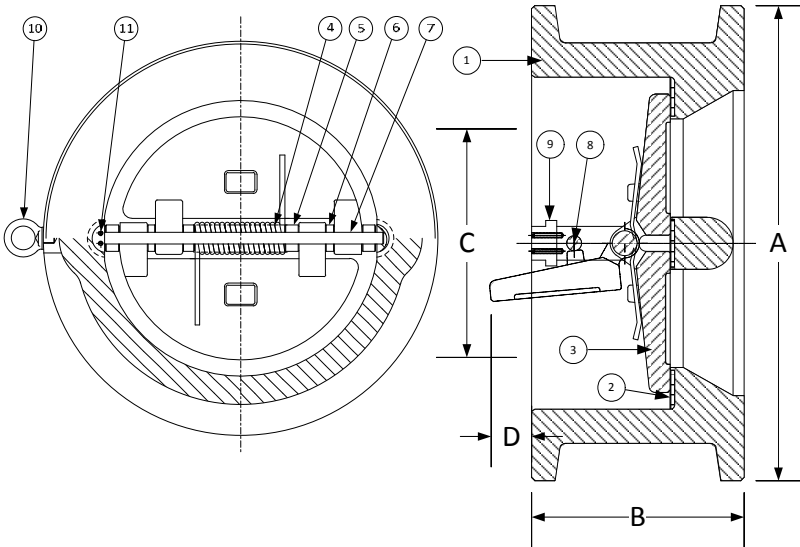
Size	2"	2½"	3"	4"	5"	6"
C _v	48	98	170	290	495	720
Size	8"	10"	12"	14"	16"	18"
C _v	1800	2600	4300	5500	7200	9400
Size	20"	24"	30"	36"	42"	
C _v	12600	19000	37500	60000	89000	



TECHNICAL DATA
DIMENSIONS AND WEIGHTS

Style DD

**Retainerless Wafer Body
Double Disc Check Valve, 900 lb.
Hastelloy C276 (ASTM A 494, Grade CW12MW)**



PARTS LIST		
ITEM	DESCRIPTION	MATERIAL
1	Body	Hastelloy C276 (ASTM A 494, Grade CW12MW)
2	Seat	Viton O-Ring
3	Disc	Hastelloy C276 (ASTM A 494, Grade CW12MW)
4	Spring	Inconel X-750
5	Spring Plate	Stainless Steel (ASTM A 182, Grade F-316)
6	Thrust Washer	Stainless Steel (ASTM A 182, Grade F-316)
7	Hinge Pin	Stainless Steel (ASTM A 182, Grade F-316)
8	Stop Pin	Stainless Steel (ASTM A 182, Grade F-316)
9	Locating Piece	Stainless Steel (ASTM A 182, Grade F-316)
10	Lifting Lug	Carbon Steel
11	Screw	Stainless Steel (316)

Above "Standard" Product Number – DD6R-HC-HC4IX
Other Options - Reference C2 for available materials.

SIZE		DIMENSIONS								WEIGHTS	
		A		B		C*		D			
in	mm	in	mm	in	mm	in	mm	in	mm	lbs	kgs
2	50	5-5/8	143	2-3/4	70	1-11/16	43	-	-	14	6
2-1/2	65	6-1/2	165	3-1/4	83	2-1/8	54	1/16	2	16	7
3	80	6-5/8	168	3-1/4	83	2-5/8	67	5/16	8	24	11
4	100	8-1/8	206	4	102	3-7/16	87	9/16	14	40	18
5	125	9-3/4	248	-	-	4-5/16	110	-	-	-	-
6	150	11-3/8	289	6-1/4	159	5-3/16	132	1-1/16	27	115	52
8	200	14-1/8	359	8-1/8	206	6-13/16	173	1-13/32	36	229	104
10	250	17-1/8	435	9-1/2	241	8-1/2	216	1-13/16	46	388	176
12	300	19-5/8	498	11-1/2	292	10-1/8	257	2-5/16	59	540	245
14	350	20-1/2	521	14	356	11-1/2	292	2	51	926	420
16	400	22-5/8	575	15-1/8	384	12-13/16	325	2-5/8	67	1152	523
18	450	25-1/8	638	17-3/4	451	14-7/16	367	2-9/16	65	1318	598
20	500	27-1/2	699	17-3/4	451	17-15/16	456	5-5/16	135	1426	647
24	600	33	838	19-1/2	495	21-1/2	546	5-5/8	143	2729	1238

*Minimum companion flange bore.

Seat Material	Operating Temperature**	
	°F	°C
Buna-N	-20 to 250	-29 to 121
Viton	-20 to 400	-29 to 204
EPDM	-40 to 300	-40 to 149

**Subject to limitations of body material.

Applicable Standards
• Design ASME B16.5
• Design ASME B16.34
• Testing API 598
• Conforms to API 594 & 6D
• MSS SP – 6
• MSS SP – 25
• MSS SP – 55

FLOW COEFFICIENTS

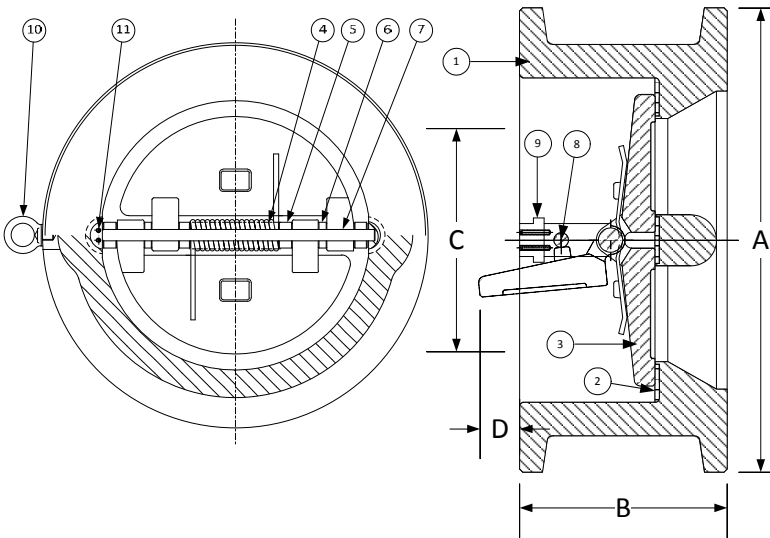
Size	2"	2½"	3"	4"	5"	6"
C _v	48	98	170	290	495	720
Size	8"	10"	12"	14"	16"	18"
C _v	1800	2600	4300	5500	7200	9400
Size	20"	24"				
C _v	12600	19000				



TECHNICAL DATA
DIMENSIONS AND WEIGHTS

Style DD

**Retainerless Wafer Body
Double Disc Check Valve, 1500 lb.
Hastelloy C276 (ASTM A 494, Grade CW12MW)**



PARTS LIST		
ITEM	DESCRIPTION	MATERIAL
1	Body	Hastelloy C276 (ASTM A 494, Grade CW12MW)
2	Seat	Viton O-Ring
3	Disc	Hastelloy C276 (ASTM A 494, Grade CW12MW)
4	Spring	Inconel X-750
5	Spring plate	Stainless Steel (ASTM A 182, Grade F-316)
6	Thrust Washer	Stainless Steel (ASTM A 182, Grade F-316)
7	Hinge pin	Stainless Steel (ASTM A 182, Grade F-316)
8	Stop Pin	Stainless Steel (ASTM A 182, Grade F-316)
9	Locating piece	Stainless Steel (ASTM A 182, Grade F-316)
10	Lifting lug	Carbon Steel
11	Screw	Stainless Steel (316)

Above "Standard" Product Number - DD7R-HC-HC4IX
Other Options - Reference C2 for available materials.

SIZE		DIMENSIONS								WEIGHTS	
		A		B		C*		D			
in	mm	in	mm	in	mm	in	mm	in	mm	lbs	kgs
2	50	5-5/8	143	2-3/4	70	1-11/16	43	-	-	14	6
2-1/2	65	6-1/2	165	3-1/4	83	2-1/8	54	1/16	2	16	7
3	80	6-7/8	175	3-1/4	83	2-5/8	67	5/16	8	25	11
4	100	8-1/4	210	4	102	3-7/16	87	9-1/16	14	53	20
5	125	10	254	-	-	4-5/16	110	-	-	-	-
6	150	11-1/8	283	6-1/4	159	5-3/16	132	1-1/16	27	110	50
8	200	13-7/8	352	8-1/8	206	6-13/16	173	1-13/32	36	219	99
10	250	17-1/8	435	9-3/4	248	8-1/2	216	1-11/16	43	397	180
12	300	20-1/2	521	12	305	10-1/8	257	2-1/4	57	725	329
14	350	22-3/4	578	14	356	11-1/2	292	2	51	948	430
16	400	25-1/4	641	15-1/8	384	12-13/16	325	2-5/8	67	1380	627
18	450	27-3/4	705	18-7/16	468	13-3/4	349	2-11/16	68	1900	863
20	500	29-3/4	756	21	533	14-3/4	375	4	102	2750	1247
24	600	35-1/2	902	22	559	15-1/8	384	4-1/8	105	4409	2000

*Minimum companion flange bore.

Seat Material	Operating Temperature**	
	°F	°C
Buna-N	-20 to 250	-29 to 121
Viton	-20 to 400	-29 to 204
EPDM	-40 to 300	-40 to 149

**Subject to limitations of body material.

Applicable Standards
• Design ASME B16.5
• Design ASME B16.34
• Testing API 598
• Conforms to API 594 & 6D
• MSS SP - 6
• MSS SP - 25
• MSS SP - 55

FLOW COEFFICIENTS

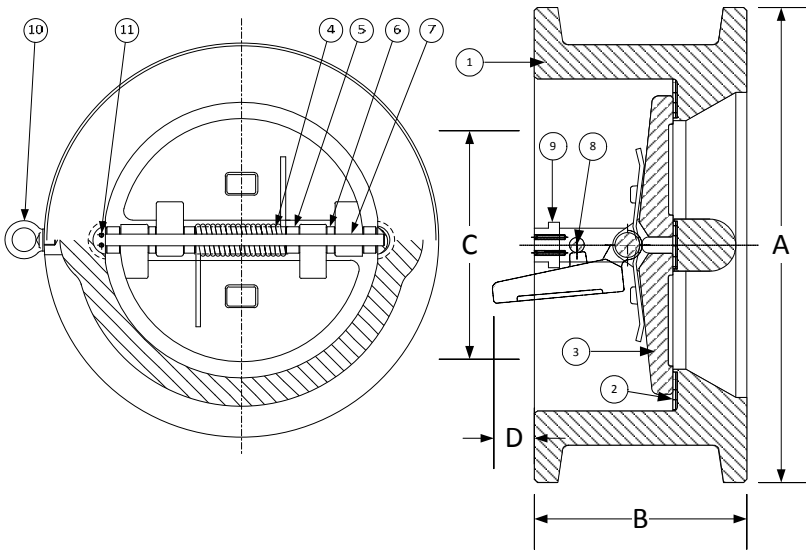
Size	2"	2½"	3"	4"	5"	6"
C _v	48	98	170	290	495	720
Size	8"	10"	12"	14"	16"	18"
C _v	1800	2600	4300	5500	7200	9400
Size	20"	24"				
C _v	12600	19000				



TECHNICAL DATA
DIMENSIONS AND WEIGHTS

Style DD

**Retainerless Wafer Body
Double Disc Check Valve, 150 lb.
Monel (ASTM A 494, Grade M35-2)**



PARTS LIST		
ITEM	DESCRIPTION	MATERIAL
1	Body	Monel (ASTM A 494, Grade M35-2)
2	Seat	Viton
3	Disc	Monel (ASTM A 494, Grade M35-2)
4	Spring	Inconel X-750
5	Spring Plate	Stainless Steel (ASTM A 182, Grade F-316)
6	Thrust Washer	Stainless Steel (ASTM A 182, Grade F-316)
7	Hinge Pin	Stainless Steel (ASTM A 182, Grade F-316)
8	Stop Pin	Stainless Steel (ASTM A 182, Grade F-316)
9	Locating Piece	Stainless Steel (ASTM A 182, Grade F-316)
10	Lifting Lug	Carbon Steel
11	Screw	Stainless Steel (316)

Above "Standard" Product Number - DD2R-ML-ML4IX
Other Options - Reference C2 for available materials.

SIZE		DIMENSIONS								WEIGHTS	
		A		B		C*		D			
in	mm	in	mm	in	mm	in	mm	in	mm	lbs	kgs
2	50	4-1/8	105	2-3/8	60	1-15/16	49	-	-	6	3
2-1/2	65	4-7/8	124	2-5/8	67	2-11/32	60	-	-	10	5
3	80	5-3/8	137	2-7/8	73	2-29/32	74	1/4	6	13	6
4	100	6-7/8	175	2-7/8	73	3-53/64	97	5/8	16	17	8
5	125	7-3/4	197	3-3/8	86	4-13/16	122	7/8	22	27	12
6	150	8-3/4	222	3-7/8	98	5-49/64	146	1-3/8	35	35	16
8	200	11	279	5	127	7-5/8	194	2-1/8	54	70	32
10	250	13-3/8	340	5-3/4	146	9-9/16	243	2-3/4	70	106	48
12	300	16-1/8	410	7-1/8	181	11-3/8	289	3-1/4	83	172	78
14	350	17-3/4	451	7-1/4	184	12-1/2	318	3-1/4	83	200	91
16	400	20-1/4	514	7-1/2	191	15	381	4-7/16	113	275	125
18	450	21-5/8	549	8	203	16-7/8	429	5-3/8	137	315	143
20	500	23-7/8	606	8-5/8	219	18-13/16	478	6-5/16	160	435	197
24	600	28-1/4	718	8-3/4	222	22-5/8	575	8-1/4	210	620	281
30	750	34-3/4	883	13	330	29-1/4	743	9	229	1230	558
36	900	41-1/4	1048	15-1/4	387	35	889	11-15/16	303	2017	915
42	1050	48	1219	17	432	41	1041	15	381	2800	1270
48	1200	54-1/2	1384	20-5/8	524	47	1194	16-3/4	425	3920	1778

*Minimum companion flange bore.

Sizes 30" and larger fit Series A flanges.

Seat Material	Operating Temperature**	
	°F	°C
Buna-N	-20 to 250	-29 to 121
Viton	-20 to 400	-29 to 204
EPDM	-40 to 300	-40 to 149

**Subject to limitations of body material.

Applicable Standards
• Design ASME B16.5
• Design ASME B16.34
• Testing API 598
• Conforms to API 594 & 6D
• MSS SP - 6
• MSS SP - 25
• MSS SP - 55

FLOW COEFFICIENTS

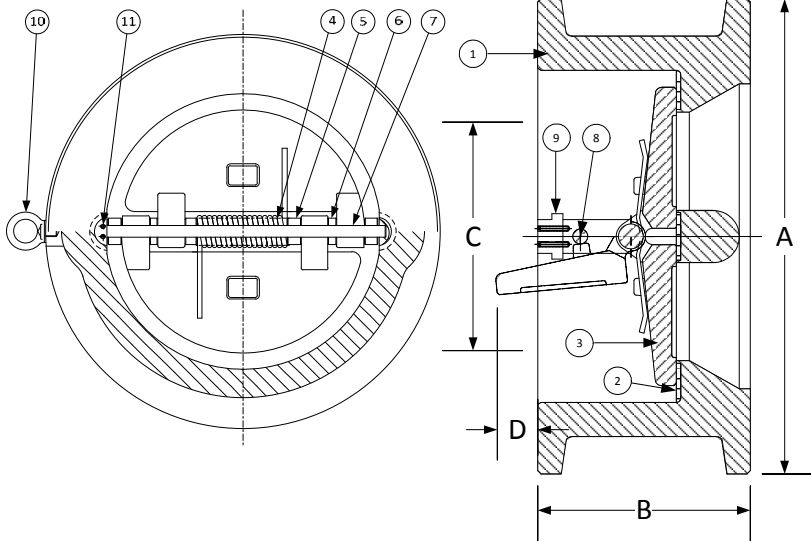
Size	2"	2½"	3"	4"	5"	6"
C _v	48	98	170	290	495	720
Size	8"	10"	12"	14"	16"	18"
C _v	1800	2600	4300	5500	7200	9400
Size	20"	24"	30"	36"	42"	48"
C _v	12600	19000	37500	60000	89000	124000



TECHNICAL DATA
DIMENSIONS AND WEIGHTS

Style DD

**Retainerless Wafer Body
Double Disc Check Valve, 300 lb.
Monel (ASTM A 494, Grade M35-2)**



PARTS LIST

ITEM	DESCRIPTION	MATERIAL
1	Body	Monel (ASTM A 494, Grade M35-2)
2	Seat	Viton O-Ring
3	Disc	Monel (ASTM A 494, Grade M35-2)
4	Spring	Inconel X-750
5	Spring Plate	Stainless Steel (ASTM A 182, Grade F-316)
6	Thrust Washer	Stainless Steel (ASTM A 182, Grade F-316)
7	Hinge Pin	Stainless Steel (ASTM A 182, Grade F-316)
8	Stop Pin	Stainless Steel (ASTM A 182, Grade F-316)
9	Locating Piece	Stainless Steel (ASTM A 182, Grade F-316)
10	Lifting Lug	Carbon Steel
11	Screw	Stainless Steel (316)

Above "Standard" Product Number - DD4R-ML-ML4IX
Other Options - Reference C2 for available materials.

SIZE		DIMENSIONS								WEIGHTS	
		A		B		C*		D			
in	mm	in	mm	in	mm	in	mm	in	mm	lbs	kgs
2	50	4-3/8	111	2-3/8	60	1-15/16	49	-	-	7	3
2-1/2	65	5-1/8	130	2-5/8	67	2-11/32	60	-	-	11	5
3	80	5-7/8	149	2-7/8	73	2-29/32	74	1/4	6	15	7
4	100	7-1/8	181	2-7/8	73	3-53/64	97	5/8	16	18	8
5	125	8-1/2	216	3-3/8	86	4-13/16	122	7/8	22	35	16
6	150	9-7/8	251	3-7/8	98	5-49/64	146	1-3/8	35	45	20
8	200	12-1/8	308	5	127	7-5/8	194	2-1/8	54	82	37
10	250	14-1/4	362	5-3/4	146	9-9/16	243	2-3/4	70	125	57
12	300	16-5/8	422	7-1/8	181	11-3/8	289	3-1/4	83	200	91
14	350	19-1/8	486	8-3/4	222	12-1/2	318	3-3/16	81	325	147
16	400	21-1/4	540	9-1/8	232	14-5/16	364	4-1/8	105	415	188
18	450	23-1/2	597	10-3/8	264	16-7/8	429	4-13/16	122	555	252
20	500	25-3/4	654	11-1/2	292	17-15/16	456	5-5/8	143	725	329
24	600	30-1/2	775	12-1/2	318	21-9/16	548	7-1/16	179	1100	499
30	750	37-1/2	953	14-1/2	396.8	28-3/4	730	9-1/16	230	2050	930
36	900	44	1118	19	483	35	889	11-3/16	284	3573	1621
42	1050	45-7/8	1289	22-3/8	568	41	1041	14-3/4	375	4723	2147
48	1200	52-1/8	1492	24-3/4	629	47	1194	16-1/2	419	6090	2768

*Minimum companion flange bore.

Sizes 30" and larger fit Series A flanges.

Seat Material	Operating Temperature**	
	°F	°C
Buna-N	-20 to 250	-29 to 121
Viton	-20 to 400	-29 to 204
EPDM	-40 to 300	-40 to 149

**Subject to limitations of body material.

Applicable Standards
• Design ASME B16.5
• Design ASME B16.34
• Testing API 598
• Conforms to API 594 & 6D
• MSS SP - 6
• MSS SP - 25
• MSS SP - 55

FLOW COEFFICIENTS

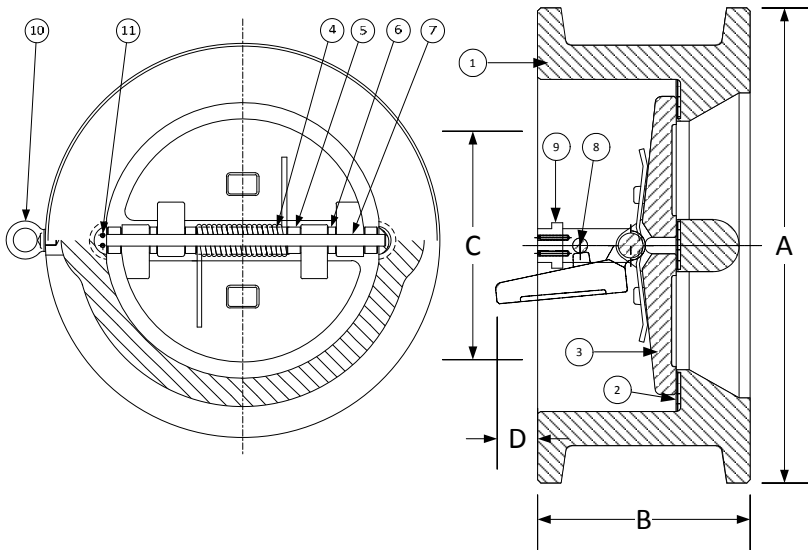
Size	2"	2½"	3"	4"	5"	6"
C _v	48	98	170	290	495	720
Size	8"	10"	12"	14"	16"	18"
C _v	1800	2600	4300	5500	7200	9400
Size	20"	24"	30"	36"	42"	48"
C _v	12600	19000	37500	60000	89000	124000



TECHNICAL DATA
DIMENSIONS AND WEIGHTS

Style DD

**Retainerless Wafer Body
Double Disc Check Valve, 600 lb.
Monel (ASTM A 494, Grade M35-2)**



PARTS LIST		
ITEM	DESCRIPTION	MATERIAL
1	Body	Monel (ASTM A 494, Grade M35-2)
2	Seat	Viton O-Ring
3	Disc	Monel (ASTM A 494, Grade M35-2)
4	Spring	Inconel X-750
5	Spring Plate	Stainless Steel (ASTM A 182, Grade F-316)
6	Thrust Washer	Stainless Steel (ASTM A 182, Grade F-316)
7	Hinge Pin	Stainless Steel (ASTM A 182, Grade F-316)
8	Stop Pin	Stainless Steel (ASTM A 182, Grade F-316)
9	Locating Piece	Stainless Steel (ASTM A 182, Grade F-316)
10	Lifting Lug	Carbon Steel
11	Screw	Stainless Steel (316)

Above "Standard" Product Number – DD5R-ML-ML4IX
Other Options - Reference C2 for available materials.

SIZE		DIMENSIONS								WEIGHTS	
		A		B		C*		D			
in	mm	in	mm	in	mm	in	mm	in	mm	lbs	kgs
2	50	4-3/8	111	2-3/8	60	1-15/16	49	-	-	7	3
2-1/2	65	5-1/8	130	2-5/8	67	2-11/32	60	1/8	3	11	5
3	80	5-7/8	149	2-7/8	73	2-29/32	74	1/4	6	15	7
4	100	7-5/8	194	3-1/8	79	3-53/64	97	7/8	22	26	12
5	125	9-1/2	241	4-1/8	105	4-13/16	122	1	25	50	23
6	150	10-1/2	267	5-3/8	136	5-49/64	146	1-7/16	36	80	36
8	200	12-5/8	321	6-1/2	165	7-5/8	194	2	51	135	61
10	250	15-3/4	400	8-3/8	213	9-9/16	243	2-9/32	58	238	108
12	300	18	457	9	229	11-3/8	289	3-15/32	88	333	151
14	350	19-3/8	492	10-3/4	273	12-1/2	318	2-3/4	70	455	206
16	400	22-1/4	565	12	305	14-5/16	364	4-5/16	110	640	290
18	450	24-1/8	613	14-1/4	362	16-1/8	410	3-11/16	94	890	404
20	500	26-7/8	386	14-1/2	368	17-15/16	456	5-5/16	135	1120	508
24	600	31-1/8	791	17-1/4	438	21-9/16	548	6-9/16	167	2040	925
30	750	38-1/4	972	19-7/8	505	28-3/4	730	9-9/16	243	3375	1531
36	900	44-1/2	1130	25	635	33-3/4	857	11-15/16	303	6300	2858
42	1050	48	1219	27-5/8	702	39-1/2	1003	14-1/4	362	8447	3832

*Minimum companion flange bore.

Sizes 30" and larger fit Series A flanges.

Seat Material	Operating Temperature**	
	°F	°C
Buna-N	-20 to 250	-29 to 121
Viton	-20 to 400	-29 to 204
EPDM	-40 to 300	-40 to 149

**Subject to limitations of body material.

Applicable Standards
• Design ASME B16.5
• Design ASME B16.34
• Testing API 598
• Conforms to API 594 & 6D
• MSS SP – 6
• MSS SP – 25
• MSS SP – 55

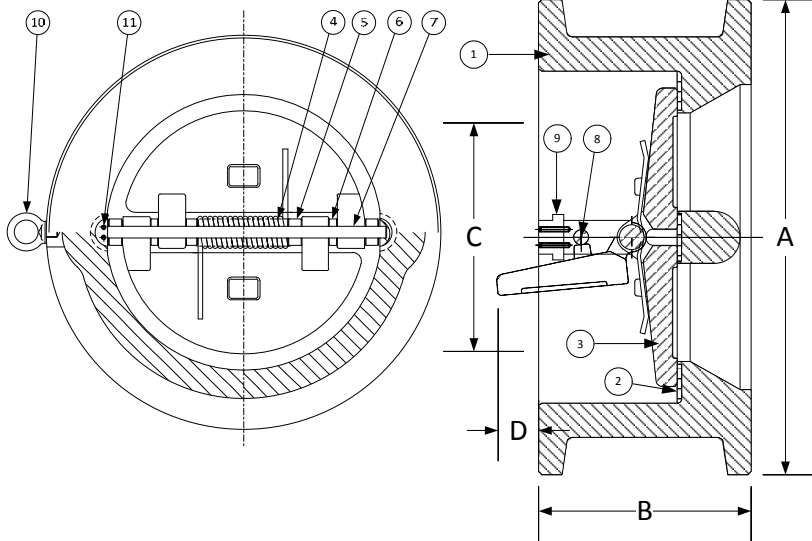
FLOW COEFFICIENTS						
Size	2"	2½"	3"	4"	5"	6"
C _v	48	98	170	290	495	720
Size	8"	10"	12"	14"	16"	18"
C _v	1800	2600	4300	5500	7200	9400
Size	20"	24"	30"	36"	42"	
C _v	12600	19000	37500	60000	89000	



TECHNICAL DATA
DIMENSIONS AND WEIGHTS

Style DD

**Retainerless Wafer Body
Double Disc Check Valve, 900 lb.
Monel (ASTM A 494, Grade M35-2)**



PARTS LIST

ITEM	DESCRIPTION	MATERIAL
1	Body	Monel (ASTM A 494, Grade M35-2)
2	Seat	Viton O-Ring
3	Disc	Monel (ASTM A 494, Grade M35-2)
4	Spring	Inconel X-750
5	Spring Plate	Stainless Steel (ASTM A 182, Grade F-316)
6	Thrust Washer	Stainless Steel (ASTM A 182, Grade F-316)
7	Hinge Pin	Stainless Steel (ASTM A 182, Grade F-316)
8	Stop Pin	Stainless Steel (ASTM A 182, Grade F-316)
9	Locating Piece	Stainless Steel (ASTM A 182, Grade F-316)
10	Lifting Lug	Carbon Steel
11	Screw	Stainless Steel (316)

Above "Standard" Product Number – DD6R-ML-ML4IX
Other Options - Reference C2 for available materials.

SIZE		DIMENSIONS								WEIGHTS	
		A		B		C*		D			
in	mm	in	mm	in	mm	in	mm	in	mm	lbs	kgs
2	50	5-5/8	143	2-3/4	70	1-11/16	43	-	-	14	6
2-1/2	65	6-1/2	165	3-1/4	83	2-1/8	54	1/16	2	16	7
3	80	6-5/8	168	3-1/4	83	2-5/8	67	5/16	8	24	11
4	100	8-1/8	206	4	102	3-7/16	87	9/16	14	40	18
5	125	9-3/4	248	-	-	4-5/16	110	-	-	-	-
6	150	11-3/8	289	6-1/4	159	5-3/16	132	1-1/16	27	115	52
8	200	14-1/8	359	8-1/8	206	6-13/16	173	1-13/32	36	229	104
10	250	17-1/8	435	9-1/2	241	8-1/2	216	1-13/16	46	388	176
12	300	19-5/8	498	11-1/2	292	10-1/8	257	2-5/16	59	540	245
14	350	20-1/2	521	14	356	11-1/2	292	2	51	926	420
16	400	22-5/8	575	15-1/8	384	12-13/16	325	2-5/8	67	1152	523
18	450	25-1/8	638	17-3/4	451	14-7/16	367	2-9/16	65	1318	598
20	500	27-1/2	699	17-3/4	451	17-15/16	456	5-5/16	135	1426	647
24	600	33	838	19-1/2	495	21-1/2	546	5-5/8	143	2729	1238

*Minimum companion flange bore.

Seat Material	Operating Temperature**	
	°F	°C
Buna-N	-20 to 250	-29 to 121
Viton	-20 to 400	-29 to 204
EPDM	-40 to 300	-40 to 149

**Subject to limitations of body material.

Applicable Standards
• Design ASME B16.5
• Design ASME B16.34
• Testing API 598
• Conforms to API 594 & 6D
• MSS SP - 6
• MSS SP - 25
• MSS SP - 55

FLOW COEFFICIENTS

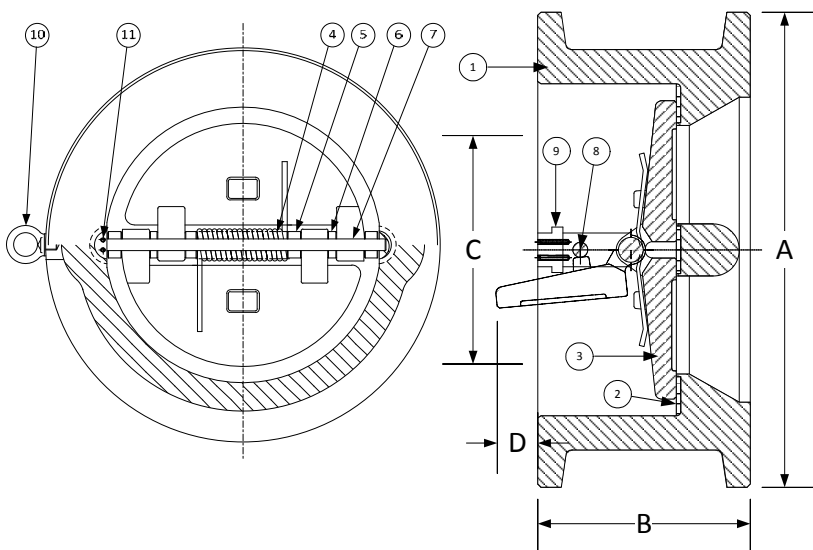
Size	2"	2½"	3"	4"	5"	6"
C _v	48	98	170	290	495	720
Size	8"	10"	12"	14"	16"	18"
C _v	1800	2600	4300	5500	7200	9400
Size	20"	24"				
C _v	12600	19000				



TECHNICAL DATA
DIMENSIONS AND WEIGHTS

Style DD

**Retainerless Wafer Body
Double Disc Check Valve, 1500 lb.
Monel (ASTM A 494, Grade M35-2)**



PARTS LIST

ITEM	DESCRIPTION	MATERIAL
1	Body	Monel (ASTM A 494, Grade M35-2)
2	Seat	Viton O-Ring
3	Disc	Monel (ASTM A 494, Grade M35-2)
4	Spring	Inconel X-750
5	Spring plate	Stainless Steel (ASTM A 182, Grade F-316)
6	Thrust Washer	Stainless Steel (ASTM A 182, Grade F-316)
7	Hinge pin	Stainless Steel (ASTM A 182, Grade F-316)
8	Stop Pin	Stainless Steel (ASTM A 182, Grade F-316)
9	Locating piece	Stainless Steel (ASTM A 182, Grade F-316)
10	Lifting lug	Carbon Steel
11	Screw	Stainless Steel (316)

Above "Standard" Product Number - DD7R-ML-ML4IX
Other Options - Reference C2 for available materials.

SIZE		DIMENSIONS								WEIGHTS	
		A		B		C*		D			
in	mm	in	mm	in	mm	in	mm	in	mm	lbs	kgs
2	50	5-5/8	143	2-3/4	70	1-11/16	43	-	-	14	6
2-1/2	65	6-1/2	165	3-1/4	83	2-1/8	54	1/16	2	16	7
3	80	6-7/8	175	3-1/4	83	2-5/8	67	5/16	8	25	11
4	100	8-1/4	210	4	102	3-7/16	87	9-1/16	14	53	20
5	125	10	254	-	-	4-5/16	110	-	-	-	-
6	150	11-1/8	283	6-1/4	159	5-3/16	132	1-1/16	27	110	50
8	200	13-7/8	352	8-1/8	206	6-13/16	173	1-13/32	36	219	99
10	250	17-1/8	435	9-3/4	248	8-1/2	216	1-11/16	43	397	180
12	300	20-1/2	521	12	305	10-1/8	257	2-1/4	57	725	329
14	350	22-3/4	578	14	356	11-1/2	292	2	51	948	430
16	400	25-1/4	641	15-1/8	384	12-13/16	325	2-5/8	67	1380	627
18	450	27-3/4	705	18-7/16	468	13-3/4	349	2-11/16	68	1900	863
20	500	29-3/4	756	21	533	14-3/4	375	4	102	2750	1247
24	600	35-1/2	902	22	559	15-1/8	384	4-1/8	105	4409	2000

*Minimum companion flange bore.

Seat Material	Operating Temperature**	
	°F	°C
Buna-N	-20 to 250	-29 to 121
Viton	-20 to 400	-29 to 204
EPDM	-40 to 300	-40 to 149

**Subject to limitations of body material.

Applicable Standards
• Design ASME B16.5
• Design ASME B16.34
• Testing API 598
• Conforms to API 594 & 6D
• MSS SP - 6
• MSS SP - 25
• MSS SP - 55

FLOW COEFFICIENTS

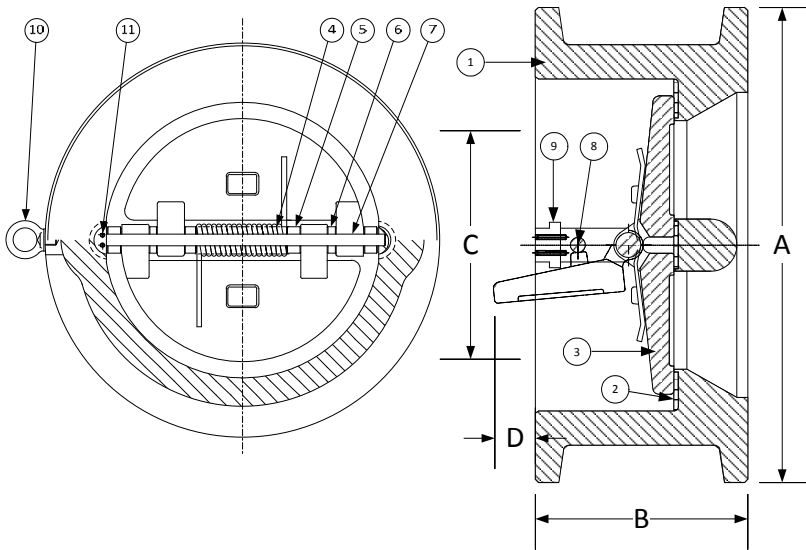
Size	2"	2½"	3"	4"	5"	6"
C _v	48	98	170	290	495	720
Size	8"	10"	12"	14"	16"	18"
C _v	1800	2600	4300	5500	7200	9400
Size	20"	24"				
C _v	12600	19000				



TECHNICAL DATA
DIMENSIONS AND WEIGHTS

Style DD

**Retainerless Wafer Body
Double Disc Check Valve, 150 lb.
Duplex (ASTM A 351, Grade CD4MCu)**



PARTS LIST		
ITEM	DESCRIPTION	MATERIAL
1	Body	Duplex (ASTM A 351, Grade CD4MCu)
2	Seat	Viton
3	Disc	Duplex (ASTM A 351, Grade CD4MCu)
4	Spring	Inconel X-750
5	Spring Plate	Stainless Steel (ASTM A 182, Grade F-316)
6	Thrust Washer	Stainless Steel (ASTM A 182, Grade F-316)
7	Hinge Pin	Stainless Steel (ASTM A 182, Grade F-316)
8	Stop Pin	Stainless Steel (ASTM A 182, Grade F-316)
9	Locating Piece	Stainless Steel (ASTM A 182, Grade F-316)
10	Lifting Lug	Carbon Steel
11	Screw	Stainless Steel (316)

Above "Standard" Product Number - DD2R-DP-DP4IX
Other Options - Reference C2 for available materials.

SIZE		DIMENSIONS								WEIGHTS	
		A		B		C*		D			
in	mm	in	mm	in	mm	in	mm	in	mm	lbs	kgs
2	50	4-1/8	105	2-3/8	60	1-15/16	49	-	-	6	3
2-1/2	65	4-7/8	124	2-5/8	67	2-11/32	60	-	-	10	5
3	80	5-3/8	137	2-7/8	73	2-29/32	74	1/4	6	13	6
4	100	6-7/8	175	2-7/8	73	3-53/64	97	5/8	16	17	8
5	125	7-3/4	197	3-3/8	86	4-13/16	122	7/8	22	27	12
6	150	8-3/4	222	3-7/8	98	5-49/64	146	1-3/8	35	35	16
8	200	11	279	5	127	7-5/8	194	2-1/8	54	70	32
10	250	13-3/8	340	5-3/4	146	9-9/16	243	2-3/4	70	106	48
12	300	16-1/8	410	7-1/8	181	11-3/8	289	3-1/4	83	172	78
14	350	17-3/4	451	7-1/4	184	12-1/2	318	3-1/4	83	200	91
16	400	20-1/4	514	7-1/2	191	15	381	4-7/16	113	275	125
18	450	21-5/8	549	8	203	16-7/8	429	5-3/8	137	315	143
20	500	23-7/8	606	8-5/8	219	18-13/16	478	6-5/16	160	435	197
24	600	28-1/4	718	8-3/4	222	22-5/8	575	8-1/4	210	620	281
30	750	34-3/4	883	13	330	29-1/4	743	9	229	1230	558
36	900	41-1/4	1048	15-1/4	387	35	889	11-15/16	303	2017	915
42	1050	48	1219	17	432	41	1041	15	381	2800	1270
48	1200	54-1/2	1384	20-5/8	524	47	1194	16-3/4	425	3920	1778

*Minimum companion flange bore.

Sizes 30" and larger fit Series A flanges.

Seat Material	Operating Temperature**	
	°F	°C
Buna-N	-20 to 250	-29 to 121
Viton	-20 to 400	-29 to 204
EPDM	-40 to 300	-40 to 149

**Subject to limitations of body material.

Applicable Standards
• Design ASME B16.5
• Design ASME B16.34
• Testing API 598
• Conforms to API 594 & 6D
• MSS SP - 6
• MSS SP - 25
• MSS SP - 55

FLOW COEFFICIENTS

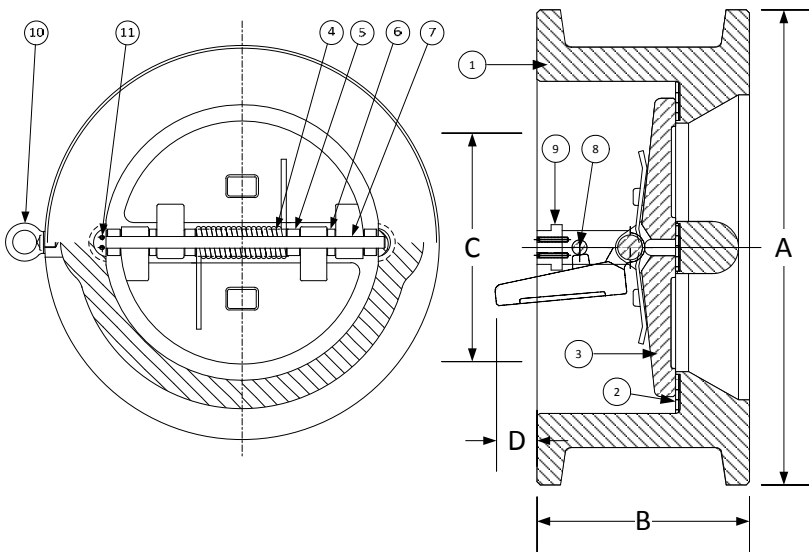
Size	2"	2½"	3"	4"	5"	6"
C _v	48	98	170	290	495	720
Size	8"	10"	12"	14"	16"	18"
C _v	1800	2600	4300	5500	7200	9400
Size	20"	24"	30"	36"	42"	48"
C _v	12600	19000	37500	60000	89000	124000



TECHNICAL DATA
DIMENSIONS AND WEIGHTS

Style DD

**Retainerless Wafer Body
Double Disc Check Valve, 300 lb.
Duplex (ASTM A 351, Grade CD4MCu)**



PARTS LIST		
ITEM	DESCRIPTION	MATERIAL
1	Body	Duplex (ASTM A 351, Grade CD4MCu)
2	Seat	Viton O-Ring
3	Disc	Duplex (ASTM A 351, Grade CD4MCu)
4	Spring	Inconel X-750
5	Spring Plate	Stainless Steel (ASTM A 182, Grade F-316)
6	Thrust Washer	Stainless Steel (ASTM A 182, Grade F-316)
7	Hinge Pin	Stainless Steel (ASTM A 182, Grade F-316)
8	Stop Pin	Stainless Steel (ASTM A 182, Grade F-316)
9	Locating Piece	Stainless Steel (ASTM A 182, Grade F-316)
10	Lifting Lug	Carbon Steel
11	Screw	Stainless Steel (316)

Above "Standard" Product Number - DD4R-DP-DP4IX
Other Options - Reference C2 for available materials.

SIZE		DIMENSIONS								WEIGHTS	
		A		B		C*		D			
in	mm	in	mm	in	mm	in	mm	in	mm	lbs	kgs
2	50	4-3/8	111	2-3/8	60	1-15/16	49	-	-	7	3
2-1/2	65	5-1/8	130	2-5/8	67	2-11/32	60	-	-	11	5
3	80	5-7/8	149	2-7/8	73	2-29/32	74	1/4	6	15	7
4	100	7-1/8	181	2-7/8	73	3-53/64	97	5/8	16	18	8
5	125	8-1/2	216	3-3/8	86	4-13/16	122	7/8	22	35	16
6	150	9-7/8	251	3-7/8	98	5-49/64	146	1-3/8	35	45	20
8	200	12-1/8	308	5	127	7-5/8	194	2-1/8	54	82	37
10	250	14-1/4	362	5-3/4	146	9-9/16	243	2-3/4	70	125	57
12	300	16-5/8	422	7-1/8	181	11-3/8	289	3-1/4	83	200	91
14	350	19-1/8	486	8-3/4	222	12-1/2	318	3-3/16	81	325	147
16	400	21-1/4	540	9-1/8	232	14-5/16	364	4-1/8	105	415	188
18	450	23-1/2	597	10-3/8	264	16-7/8	429	4-13/16	122	555	252
20	500	25-3/4	654	11-1/2	292	17-15/16	456	5-5/8	143	725	329
24	600	30-1/2	775	12-1/2	318	21-9/16	548	7-1/16	179	1100	499
30	750	37-1/2	953	14-1/2	396	28-3/4	730	9-1/16	230	2050	930
36	900	44	1118	19	483	35	889	11-3/16	284	3573	1621
42	1050	45-7/8	1289	22-3/8	568	41	1041	14-3/4	375	4723	2147
48	1200	52-1/8	1492	24-3/4	629	47	1194	16-1/2	419	6090	2768

*Minimum companion flange bore.

Sizes 30" and larger fit Series A flanges.

Seat Material	Operating Temperature**	
	°F	°C
Buna-N	-20 to 250	-29 to 121
Viton	-20 to 400	-29 to 204
EPDM	-40 to 300	-40 to 149

**Subject to limitations of body material.

Applicable Standards
• Design ASME B16.5
• Design ASME B16.34
• Testing API 598
• Conforms to API 594 & 6D
• MSS SP - 6
• MSS SP - 25
• MSS SP - 55

FLOW COEFFICIENTS

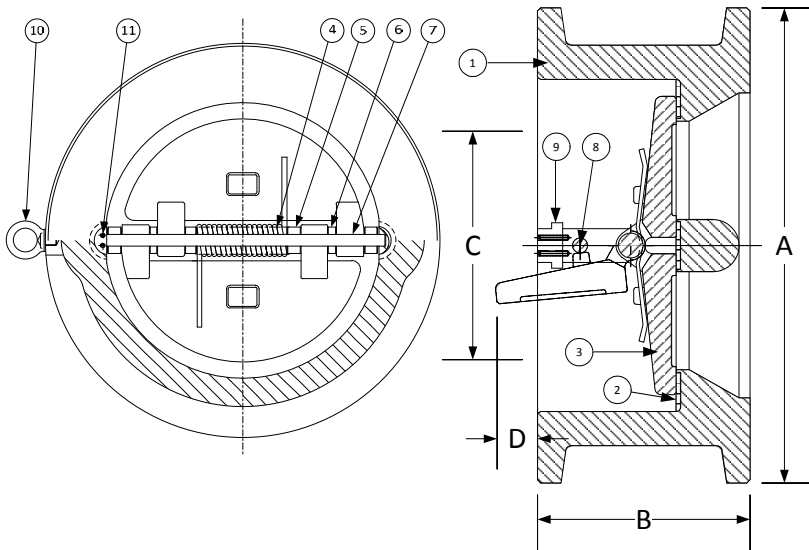
Size	2"	2½"	3"	4"	5"	6"
C _v	48	98	170	290	495	720
Size	8"	10"	12"	14"	16"	18"
C _v	1800	2600	4300	5500	7200	9400
Size	20"	24"	30"	36"	42"	48"
C _v	12600	19000	37500	60000	89000	124000



TECHNICAL DATA
DIMENSIONS AND WEIGHTS

Style DD

**Retainerless Wafer Body
Double Disc Check Valve, 600 lb.
Duplex (ASTM A 351, Grade CD4MCu)**



PARTS LIST		
ITEM	DESCRIPTION	MATERIAL
1	Body	Duplex (ASTM A 351, Grade CD4MCu)
2	Seat	Viton O-Ring
3	Disc	Duplex (ASTM A 351, Grade CD4MCu)
4	Spring	Inconel X-750
5	Spring Plate	Stainless Steel (ASTM A 182, Grade F-316)
6	Thrust Washer	Stainless Steel (ASTM A 182, Grade F-316)
7	Hinge Pin	Stainless Steel (ASTM A 182, Grade F-316)
8	Stop Pin	Stainless Steel (ASTM A 182, Grade F-316)
9	Locating Piece	Stainless Steel (ASTM A 182, Grade F-316)
10	Lifting Lug	Carbon Steel
11	Screw	Stainless Steel (316)

Above "Standard" Product Number – **DD5R-DP-DP4IX**
Other Options - Reference **C2** for available materials.

SIZE		DIMENSIONS								WEIGHTS	
		A		B		C*		D			
in	mm	in	mm	in	mm	in	mm	in	mm	lbs	kgs
2	50	4-3/8	111	2-3/8	60	1-15/16	49	-	-	7	3
2-1/2	65	5-1/8	130	2-5/8	67	2-11/32	60	1/8	3	11	5
3	80	5-7/8	149	2-7/8	73	2-29/32	74	1/4	6	15	7
4	100	7-5/8	194	3-1/8	79	3-53/64	97	7/8	22	26	12
5	125	9-1/2	241	4-1/8	105	4-13/16	122	1	25	50	23
6	150	10-1/2	267	5-3/8	136	5-49/64	146	1-7/16	36	80	36
8	200	12-5/8	321	6-1/2	165	7-5/8	194	2	51	135	61
10	250	15-3/4	400	8-3/8	213	9-9/16	243	2-9/32	58	238	108
12	300	18	457	9	229	11-3/8	289	3-15/32	88	333	151
14	350	19-3/8	492	10-3/4	273	12-1/2	318	2-3/4	70	455	206
16	400	22-1/4	565	12	305	14-5/16	364	4-5/16	110	640	290
18	450	24-1/8	613	14-1/4	362	16-1/8	410	3-11/16	94	890	404
20	500	26-7/8	386	14-1/2	368	17-15/16	456	5-5/16	135	1120	508
24	600	31-1/8	791	17-1/4	438	21-9/16	548	6-9/16	167	2040	925
30	750	38-1/4	972	19-7/8	505	28-3/4	730	9-9/16	243	3375	1531
36	900	44-1/2	1130	25	635	33-3/4	857	11-15/16	303	6300	2858
42	1050	48	1219	27-5/8	702	39-1/2	1003	14-1/4	362	8447	3832

*Minimum companion flange bore.

Sizes 30" and larger fit Series A flanges.

Seat Material	Operating Temperature**	
	°F	°C
Buna-N	-20 to 250	-29 to 121
Viton	-20 to 400	-29 to 204
EPDM	-40 to 300	-40 to 149

**Subject to limitations of body material.

Applicable Standards
• Design ASME B16.5
• Design ASME B16.34
• Testing API 598
• Conforms to API 594 & 6D
• MSS SP – 6
• MSS SP – 25
• MSS SP – 55

FLOW COEFFICIENTS

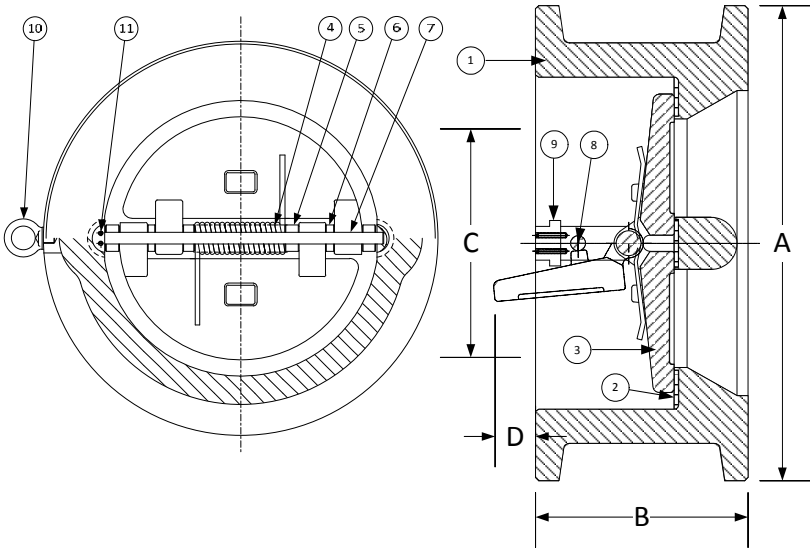
Size	2"	2½"	3"	4"	5"	6"
C _v	48	98	170	290	495	720
Size	8"	10"	12"	14"	16"	18"
C _v	1800	2600	4300	5500	7200	9400
Size	20"	24"	30"	36"	42"	
C _v	12600	19000	37500	60000	89000	



TECHNICAL DATA
DIMENSIONS AND WEIGHTS

Style DD

**Retainerless Wafer Body
Double Disc Check Valve, 900 lb.
Duplex (ASTM A 351, Grade CD4MCu)**



PARTS LIST		
ITEM	DESCRIPTION	MATERIAL
1	Body	Duplex (ASTM A 351, Grade CD4MCu)
2	Seat	Viton O-Ring
3	Disc	Duplex (ASTM A 351, Grade CD4MCu)
4	Spring	Inconel X-750
5	Spring Plate	Stainless Steel (ASTM A 182, Grade F-316)
6	Thrust Washer	Stainless Steel (ASTM A 182, Grade F-316)
7	Hinge Pin	Stainless Steel (ASTM A 182, Grade F-316)
8	Stop Pin	Stainless Steel (ASTM A 182, Grade F-316)
9	Locating Piece	Stainless Steel (ASTM A 182, Grade F-316)
10	Lifting Lug	Carbon Steel
11	Screw	Stainless Steel (316)

Above "Standard" Product Number – DD6R-DP-DP4IX
Other Options - Reference C2 for available materials.

SIZE		DIMENSIONS								WEIGHTS	
		A		B		C*		D			
in	mm	in	mm	in	mm	in	mm	in	mm	lbs	kgs
2	50	5-5/8	143	2-3/4	70	1-11/16	43	-	-	14	6
2-1/2	65	6-1/2	165	3-1/4	83	2-1/8	54	1/16	2	16	7
3	80	6-5/8	168	3-1/4	83	2-5/8	67	5/16	8	24	11
4	100	8-1/8	206	4	102	3-7/16	87	9/16	14	40	18
5	125	9-3/4	248	-	-	4-5/16	110	-	-	-	-
6	150	11-3/8	289	6-1/4	159	5-3/16	132	1-1/16	27	115	52
8	200	14-1/8	359	8-1/8	206	6-13/16	173	1-13/32	36	229	104
10	250	17-1/8	435	9-1/2	241	8-1/2	216	1-13/16	46	388	176
12	300	19-5/8	498	11-1/2	292	10-1/8	257	2-5/16	59	540	245
14	350	20-1/2	521	14	356	11-1/2	292	2	51	926	420
16	400	22-5/8	575	15-1/8	384	12-13/16	325	2-5/8	67	1152	523
18	450	25-1/8	638	17-3/4	451	14-7/16	367	2-9/16	65	1318	598
20	500	27-1/2	699	17-3/4	451	17-15/16	456	5-5/16	135	1426	647
24	600	33	838	19-1/2	495	21-1/2	546	5-5/8	143	2729	1238

*Minimum companion flange bore.

Seat Material	Operating Temperature**	
	°F	°C
Buna-N	-20 to 250	-29 to 121
Viton	-20 to 400	-29 to 204
EPDM	-40 to 300	-40 to 149

**Subject to limitations of body material.

Applicable Standards
• Design ASME B16.5
• Design ASME B16.34
• Testing API 598
• Conforms to API 594 & 6D
• MSS SP – 6
• MSS SP – 25
• MSS SP – 55

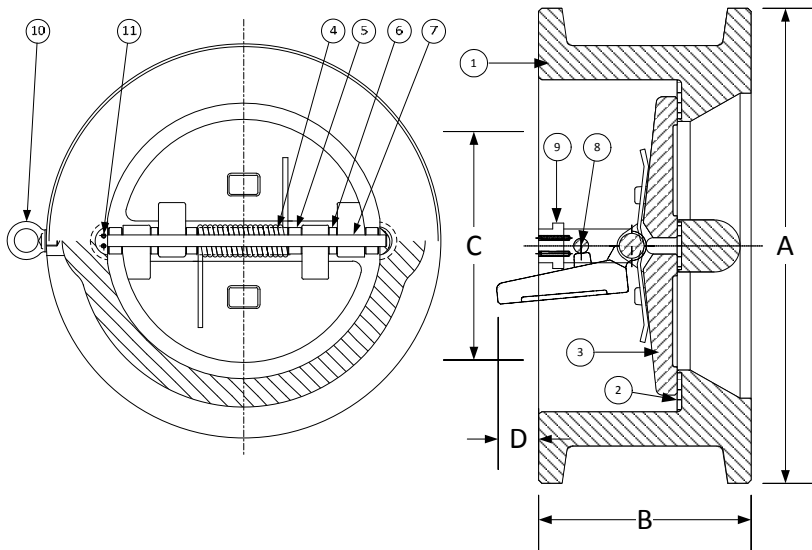
FLOW COEFFICIENTS						
Size	2"	2½"	3"	4"	5"	6"
C _v	48	98	170	290	495	720
Size	8"	10"	12"	14"	16"	18"
C _v	1800	2600	4300	5500	7200	9400
Size	20"	24"				
C _v	12600	19000				



TECHNICAL DATA
DIMENSIONS AND WEIGHTS

Style DD

**Retainerless Wafer Body
Double Disc Check Valve, 1500 lb.
Duplex (ASTM A 351, Grade CD4MCu)**



PARTS LIST

ITEM	DESCRIPTION	MATERIAL
1	Body	Duplex (ASTM A 351, Grade CD4MCu)
2	Seat	Viton O-Ring
3	Disc	Duplex (ASTM A 351, Grade CD4MCu)
4	Spring	Inconel X-750
5	Spring plate	Stainless Steel (ASTM A 182, Grade F-316)
6	Thrust Washer	Stainless Steel (ASTM A 182, Grade F-316)
7	Hinge pin	Stainless Steel (ASTM A 182, Grade F-316)
8	Stop Pin	Stainless Steel (ASTM A 182, Grade F-316)
9	Locating piece	Stainless Steel (ASTM A 182, Grade F-316)
10	Lifting lug	Carbon Steel
11	Screw	Stainless Steel (316)

Above "Standard" Product Number – DD7R-DP-DP4IX
Other Options - Reference C2 for available materials.

SIZE		DIMENSIONS								WEIGHTS	
		A		B		C*		D			
in	mm	in	mm	in	mm	in	mm	in	mm	lbs	kgs
2	50	5-5/8	143	2-3/4	70	1-11/16	43	-	-	14	6
2-1/2	65	6-1/2	165	3-1/4	83	2-1/8	54	1/16	2	16	7
3	80	6-7/8	175	3-1/4	83	2-5/8	67	5/16	8	25	11
4	100	8-1/4	210	4	102	3-7/16	87	9-1/16	14	53	20
5	125	10	254	-	-	4-5/16	110	-	-	-	-
6	150	11-1/8	283	6-1/4	159	5-3/16	132	1-1/16	27	110	50
8	200	13-7/8	352	8-1/8	206	6-13/16	173	1-13/32	36	219	99
10	250	17-1/8	435	9-3/4	248	8-1/2	216	1-11/16	43	397	180
12	300	20-1/2	521	12	305	10-1/8	257	2-1/4	57	725	329
14	350	22-3/4	578	14	356	11-1/2	292	2	51	948	430
16	400	25-1/4	641	15-1/8	384	12-13/16	325	2-5/8	67	1380	627
18	450	27-3/4	705	18-7/16	468	13-3/4	349	2-11/16	68	1900	863
20	500	29-3/4	756	21	533	14-3/4	375	4	102	2750	1247
24	600	35-1/2	902	22	559	15-1/8	384	4-1/8	105	4409	2000

*Minimum companion flange bore.

Seat Material	Operating Temperature**	
	°F	°C
Buna-N	-20 to 250	-29 to 121
Viton	-20 to 400	-29 to 204
EPDM	-40 to 300	-40 to 149

**Subject to limitations of body material.

Applicable Standards
• Design ASME B16.5
• Design ASME B16.34
• Testing API 598
• Conforms to API 594 & 6D
• MSS SP – 6
• MSS SP – 25
• MSS SP – 55

FLOW COEFFICIENTS

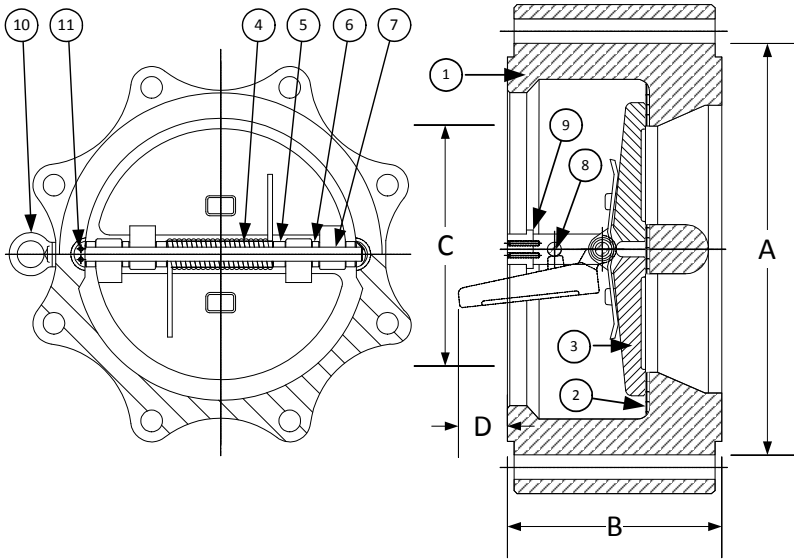
Size	2"	2½"	3"	4"	5"	6"
C _v	48	98	170	290	495	720
Size	8"	10"	12"	14"	16"	18"
C _v	1800	2600	4300	5500	7200	9400
Size	20"	24"				
C _v	12600	19000				



TECHNICAL DATA
DIMENSIONS AND WEIGHTS

Style DL

**Retainerless Wafer Lug Body
Double Disc Check Valve, 150 lb.
Low Carbon Steel (ASTM A 352, Grade LCB)**



PARTS LIST		
ITEM	DESCRIPTION	MATERIAL
1	Body	Low Carbon Steel (ASTM A 352, Grade LCB)
2	Seat	Viton O-Ring
3	Disc	Low Carbon Steel (ASTM A 352, Grade LCB)
4	Spring	Inconel X-750
5	Spring Plate	Stainless Steel (ASTM A 182, Grade F-316)
6	Thrust Washer	Stainless Steel (ASTM A 182, Grade F-316)
7	Hinge Pin	Stainless Steel (ASTM A 182, Grade F-316)
8	Stop Pin	Stainless Steel (ASTM A 182, Grade F-316)
9	Locating Piece	Stainless Steel (ASTM A 182, Grade F-316)
10	Lifting Lug	Carbon Steel
11	Screw	Stainless Steel (316)

Above "Standard" Product Number – DL2R-LC-LC4IX
Other Options - Reference C2 for available materials.

SIZE		DIMENSIONS						WEIGHTS	
		A		B		C*			
in	mm	in	mm	in	mm	in	mm	lbs	kgs
2	50	4-1/8	105	2-3/8	60	1-15/16	49	18	8
2-1/2	65	4-7/8	124	2-5/8	67	2-11/32	60	22	10
3	80	5-3/8	137	2-7/8	73	2-29/32	74	30	14
4	100	6-7/8	175	2-7/8	73	3-53/64	97	44	20
5	125	7-3/4	197	3-3/8	86	4-13/16	122	51	23
6	150	8-3/4	222	3-7/8	98	5-49/64	146	84	38
8	200	11	279	5	127	7-1/2	191	91	41
10	250	13-3/8	340	5-3/4	146	9-7/16	240	156	71
12	300	16-1/8	410	7-1/8	181	11-1/4	286	252	114
14	350	17-3/4	441	7-1/4	184	12-5/8	321	291	132
16	400	20-1/4	514	7-1/2	191	14-11/16	373	464	210
18	450	21-5/8	549	8	203	16-9/16	421	431	195
20	500	23-7/8	606	8-5/8	219	18-7/16	468	501	227
24	600	28-1/4	718	8-3/4	222	21-5/8	549	682	309
30	750	34-3/4	883	12	305	28-7/16	722	1321	599
36	900	41-1/4	1048	14-1/2	368	34-3/8	873	1898	861
42	1050	48	1219	17	432	40-9/16	1030	3236	1468
48	1200	54-1/2	1384	20-5/8	524	44-3/16	1122	4899	2222

*Minimum companion flange bore.

Available with thru-hole bolting or threaded bolt holes.

Seat Material	Operating Temperature**	
	°F	°C
Buna-N	-20 to 250	-29 to 121
Viton	-20 to 400	-29 to 204
EPDM	-40 to 300	-40 to 149

**Subject to limitations of body material.

Applicable Standards
• Design ASME B16.5
• Design ASME B16.34
• Testing API 598
• Conforms to API 594 & 6D
• MSS SP – 6
• MSS SP – 25
• MSS SP – 55

FLOW COEFFICIENTS

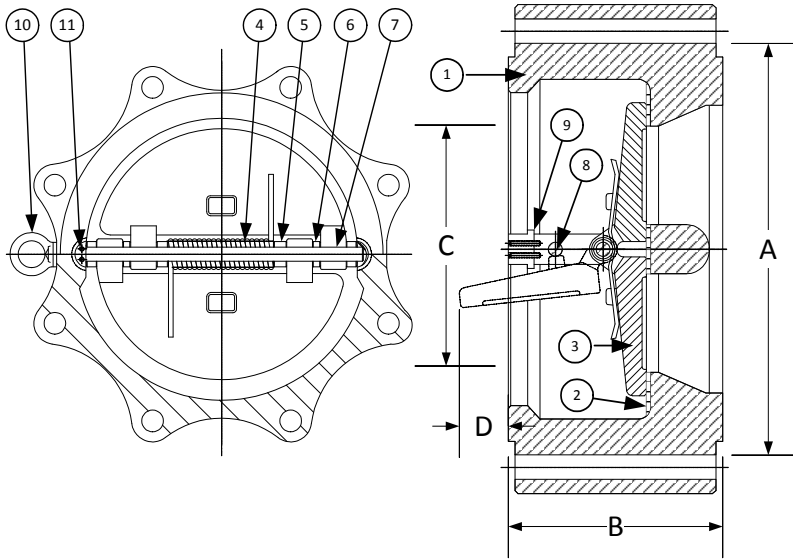
Size	2"	2-1/2"	3"	4"	5"	6"
C _v	48	98	170	290	495	720
Size	8"	10"	12"	14"	16"	18"
C _v	1800	2600	4300	5500	7200	9400
Size	20"	24"	30"	36"	42"	48"
C _v	12600	19000	37500	60000	89000	124000



TECHNICAL DATA
DIMENSIONS AND WEIGHTS

Style DL

**Retainerless Wafer Lug Body
Double Disc Check Valve, 300 lb.
Low Carbon Steel (ASTM A 352, Grade LCB)**



PARTS LIST

ITEM	DESCRIPTION	MATERIAL
1	Body	Low Carbon Steel (ASTM A 352, Grade LCB)
2	Seat	Viton O-Ring
3	Disc	Low Carbon Steel (ASTM A 352, Grade LCB)
4	Spring	Inconel X-750
5	Spring Plate	Stainless Steel (ASTM A 182, Grade F-316)
6	Thrust Washer	Stainless Steel (ASTM A 182, Grade F-316)
7	Hinge Pin	Stainless Steel (ASTM A 182, Grade F-316)
8	Stop Pin	Stainless Steel (ASTM A 182, Grade F-316)
9	Locating Piece	Stainless Steel (ASTM A 182, Grade F-316)
10	Lifting Lug	Carbon Steel
11	Screw	Stainless Steel (316)

Above "Standard" Product Number – DL4R-LC-LC4IX
Other Options - Reference C2 for available materials.

SIZE		DIMENSIONS						WEIGHTS	
		A		B		C*			
in	mm	in	mm	in	mm	in	mm	lbs	kgs
2	50	4-3/8	111	2-3/8	60	1-15/16	49	18	8
2-1/2	65	5-1/8	130	2-5/8	67	2-11/32	60	22	10
3	80	5-7/8	149	2-7/8	73	2-29/32	74	30	14
4	100	7-1/8	181	2-7/8	73	3-53/64	97	44	20
5	125	8-1/2	216	3-3/8	86	4-13/16	122	51	23
6	150	9-7/8	251	3-7/8	98	5-49/64	146	84	38
8	200	12-1/8	308	5	127	7-5/8	194	163	74
10	250	14-1/4	362	5-3/4	146	9-9/16	243	270	123
12	300	16-5/8	422	7-1/8	181	11-1/4	286	361	164
14	350	19-1/8	486	8-3/4	222	12-7/16	316	543	246
16	400	21-1/4	540	9-1/8	232	14-1/2	368	792	359
18	450	23-1/2	597	10-3/8	264	16-3/8	416	790	358
20	500	25-3/4	654	11-1/2	292	18-1/16	459	780	354
24	600	30-1/2	775	12-1/2	318	20-11/16	525	1011	459
30	750	37-1/2	953	14-1/2	368	27-5/8	702	1974	895
36	900	44	1118	19	483	33-1/2	851	3926	1781
42	1050	45-7/8	1165	22-3/8	568	39-1/2	1003	4830	2191
48	1200	52-1/2	1334	24-3/4	629	42-1/4	1073	6653	3018

*Minimum companion flange bore.

Available with thru-hole bolting or threaded bolt holes.

Seat Material	Operating Temperature**	
	°F	°C
Buna-N	-20 to 250	-29 to 121
Viton	-20 to 400	-29 to 204
EPDM	-40 to 300	-40 to 149

**Subject to limitations of body material.

Applicable Standards
• Design ASME B16.5
• Design ASME B16.34
• Testing API 598
• Conforms to API 594 & 6D
• MSS SP - 6
• MSS SP - 25
• MSS SP - 55

FLOW COEFFICIENTS

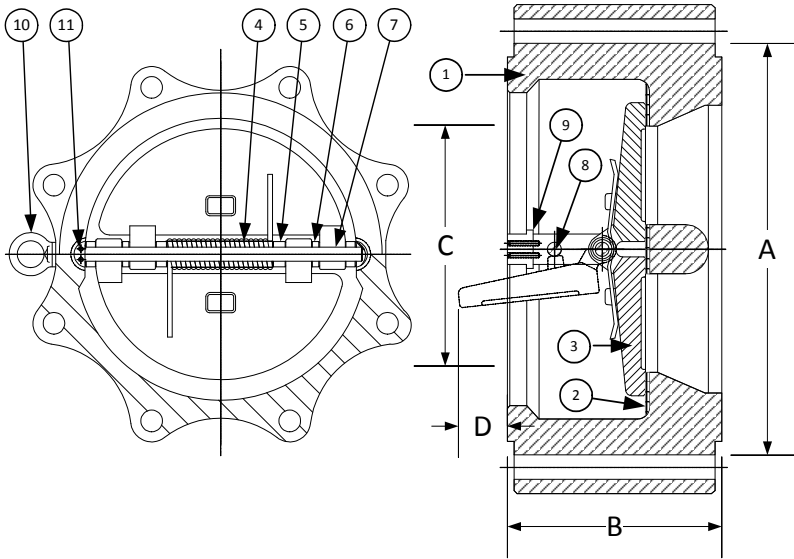
Size	2"	2-1/2"	3"	4"	5"	6"
C _v	48	98	170	290	495	720
Size	8"	10"	12"	14"	16"	18"
C _v	1800	2600	4300	5500	7200	9400
Size	20"	24"	30"	36"	42"	48"
C _v	12600	19000	37500	60000	89000	124000



TECHNICAL DATA
DIMENSIONS AND WEIGHTS

Style DL

**Retainerless Wafer Lug Body
Double Disc Check Valve, 600 lb.
Low Carbon Steel (ASTM A 352, Grade LCB)**



PARTS LIST

ITEM	DESCRIPTION	MATERIAL
1	Body	Low Carbon Steel (ASTM A 352, Grade LCB)
2	Seat	Viton O-Ring
3	Disc	Low Carbon Steel (ASTM A 352, Grade LCB)
4	Spring	Inconel X-750
5	Spring Plate	Stainless Steel (ASTM A 182, Grade F-316)
6	Thrust Washer	Stainless Steel (ASTM A 182, Grade F-316)
7	Hinge Pin	Stainless Steel (ASTM A 182, Grade F-316)
8	Stop Pin	Stainless Steel (ASTM A 182, Grade F-316)
9	Locating Piece	Stainless Steel (ASTM A 182, Grade F-316)
10	Lifting Lug	Carbon Steel
11	Screw	Stainless Steel (316)

Above "Standard" Product Number - DL5R-LC-LC4IX
Other Options - Reference C2 for available materials.

SIZE		DIMENSIONS						WEIGHTS	
		A		B		C*			
in	mm	in	mm	in	mm	in	mm	lbs	kgs
2	50	4-3/8	111	2-3/8	60	1-3/16	30	18	8
2-1/2	65	5-1/8	130	2-5/8	67	2-1/8	54	27	12
3	80	5-7/8	149	2-7/8	73	2-3/16	56	27	12
4	100	7-5/8	194	3-1/8	79	3-5/16	84	51	23
5	125	9-1/2	241	4-1/8	105	4-1/2	114	97	44
6	150	10-1/2	267	5-3/8	137	4-3/4	121	151	68
8	200	12-5/8	321	6-1/2	165	6-25/32	172	261	118
10	250	15-3/4	400	8-3/8	213	8-1/2	216	460	209
12	300	18	457	9	229	10-9/16	268	587	266
14	350	19-3/8	492	10-3/4	273	11-15/16	303	817	371
16	400	22-1/4	565	12	305	13-1/2	343	1058	480
18	450	24-1/8	613	14-1/4	362	13-3/4	349	1011	459
20	500	26-7/8	683	14-1/2	368	16-15/16	430	1279	580
24	600	31-1/8	791	17-1/4	438	20-1/2	521	1851	840
30	750	38-1/4	972	19-7/8	505	26-1/2	673	2987	1355
36	900	44	1118	25	635	30-3/8	772	5364	2433
42	1050	48	1219	27-5/8	702	37-7/16	951	7048	3197

*Minimum companion flange bore.

Available with thru-hole bolting or threaded bolt holes.

Seat Material	Operating Temperature**	
	°F	°C
Buna-N	-20 to 250	-29 to 121
Viton	-20 to 400	-29 to 204
EPDM	-40 to 300	-40 to 149

**Subject to limitations of body material.

Applicable Standards
• Design ASME B16.5
• Design ASME B16.34
• Testing API 598
• Conforms to API 594 & 6D
• MSS SP - 6
• MSS SP - 25
• MSS SP - 55

FLOW COEFFICIENTS

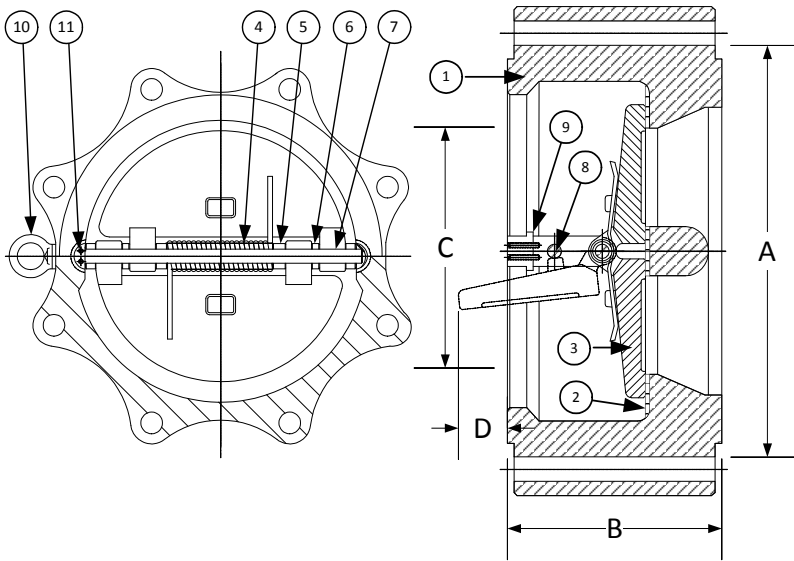
Size	2"	2-1/2"	3"	4"	5"	6"
C _v	48	98	170	290	495	720
Size	8"	10"	12"	14"	16"	18"
C _v	1800	2600	4300	5500	7200	9400
Size	20"	24"	30"	36"	42"	
C _v	12600	19000	37500	60000	89000	



TECHNICAL DATA
DIMENSIONS AND WEIGHTS

Style DL

**Retainerless Wafer Lug Body
Double Disc Check Valve, 900 lb.
Low Carbon Steel (ASTM A 352, Grade LCB)**



PARTS LIST

ITEM	DESCRIPTION	MATERIAL
1	Body	Low Carbon Steel (ASTM A 352, Grade LCB)
2	Seat	Viton O-Ring
3	Disc	Low Carbon Steel (ASTM A 352, Grade LCB)
4	Spring	Inconel X-750
5	Spring Plate	Stainless Steel (ASTM A 182, Grade F-316)
6	Thrust Washer	Stainless Steel (ASTM A 182, Grade F-316)
7	Hinge Pin	Stainless Steel (ASTM A 182, Grade F-316)
8	Stop Pin	Stainless Steel (ASTM A 182, Grade F-316)
9	Locating Piece	Stainless Steel (ASTM A 182, Grade F-316)
10	Lifting Lug	Carbon Steel
11	Screw	Stainless Steel (316)

Above "Standard" Product Number – DL6R-LC-LC4IX
Other Options - Reference C2 for available materials.

SIZE		DIMENSIONS						WEIGHTS	
		A		B		C*			
in	mm	in	mm	in	mm	in	mm	lbs	kgs
2	50	5-5/8	143	2-3/4	70	-	-	26	12
2-1/2	65	6-1/2	165	3-1/4	83	2	51	40	18
3	80	6-5/8	168	3-1/4	83	2-1/8	54	44	20
4	100	8-1/8	206	4	102	3-1/16	78	68	31
6	150	11-3/8	289	6-1/4	159	3-5/8	92	240	109
8	200	14-1/8	359	8-1/8	206	6-1/2	165	443	201
10	250	17-1/8	435	9-1/2	241	8-3/16	208	661	300
12	300	19-5/8	498	11-1/2	292	9-3/4	248	981	445
14	350	20-1/2	521	14	356	8-15/16	227	1241	563
16	400	22-5/8	575	15-1/8	384	11-7/32	285	2074	941
18	450	25-1/8	638	17-3/4	451	13-15/16	354	1418	643
20	500	27-1/2	699	17-3/4	451	17-1/16	433	1892	858
24	600	33	838	19-1/2	495	20-15/32	520	2786	1264

*Minimum companion flange bore.

Available with thru-hole bolting or threaded bolt holes.

Seat Material	Operating Temperature**	
	°F	°C
Buna-N	-20 to 250	-29 to 121
Viton	-20 to 400	-29 to 204
EPDM	-40 to 300	-40 to 149

**Subject to limitations of body material.

Applicable Standards
• Design ASME B16.5
• Design ASME B16.34
• Testing API 598
• Conforms to API 594 & 6D
• MSS SP - 6
• MSS SP - 25
• MSS SP - 55

FLOW COEFFICIENTS

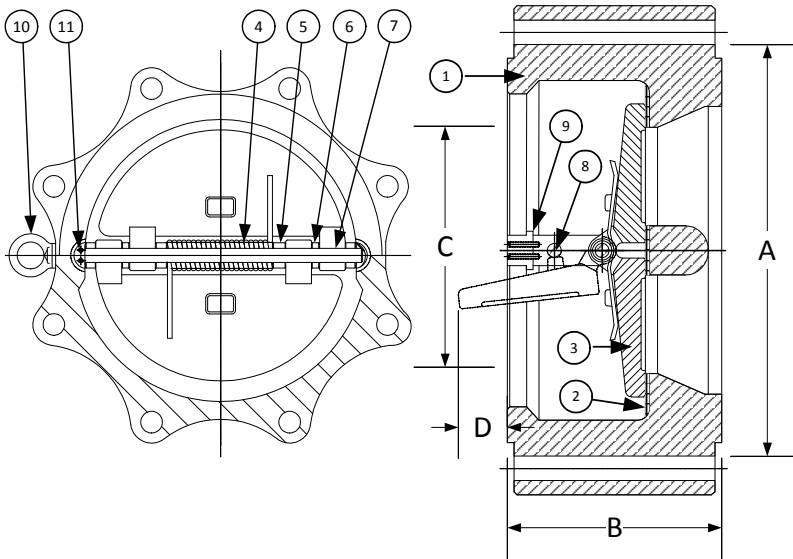
Size	2"	2-1/2"	3"	4"	5"	6"
C _v	48	98	170	290	495	720
Size	8"	10"	12"	14"	16"	18"
C _v	1800	2600	4300	5500	7200	9400
Size	20"	24"				
C _v	12600	19000				



TECHNICAL DATA
DIMENSIONS AND WEIGHTS

Style DL

**Retainerless Wafer Lug Body
Double Disc Check Valve, 1500 lb.
Low Carbon Steel (ASTM A 352, Grade LCB)**



PARTS LIST		
ITEM	DESCRIPTION	MATERIAL
1	Body	Low Carbon Steel (ASTM A 352, Grade LCB)
2	Seat	Buna-N O-Ring
3	Disc	Low Carbon Steel (ASTM A 352, Grade LCB)
4	Spring	Inconel X-750
5	Spring Plate	Stainless Steel (ASTM A 182, Grade F-316)
6	Thrust Washer	Stainless Steel (ASTM A 182, Grade F-316)
7	Hinge Pin	Stainless Steel (ASTM A 182, Grade F-316)
8	Stop Pin	Stainless Steel (ASTM A 182, Grade F-316)
9	Locating Piece	Stainless Steel (ASTM A 182, Grade F-316)
10	Lifting Lug	Carbon Steel
11	Screw	Stainless Steel (316)

Above "Standard" Product Number - DL7R-LC-LC1IX
Other Options - Reference C2 for available materials.

SIZE		DIMENSIONS						WEIGHTS	
		A		B		C*			
in	mm	in	mm	in	mm	in	mm	lbs	kgs
2	50	5-5/8	143	2-3/4	70	1-11/16	43	37	17
3	80	6-7/8	175	3-1/4	83	2-5/8	67	70	32
4	100	8-1/4	210	4	102	3-7/16	87	112	51
6	150	11-1/8	283	6-1/4	159	5-3/16	132	262	119
8	200	13-7/8	352	8-1/8	206	6-13/16	173	488	221
10	250	17-1/8	435	9-3/4	248	8-1/2	216	917	416
12	300	20-1/2	521	12	305	10-1/8	257	1425	646
14	350	22-3/4	578	14	356	11-1/2	292	245	928
16	400	25-1/4	641	15-1/8	384	12-13/16	325	2600	1179
18	450	27-3/4	705	18-7/16	468	13-3/4	349	3883	1761
20	500	29-3/4	756	21	533	14-3/4	348	5700	2580
24	600	35-1/2	902	22	559	15-1/8	384	7150	3236

*Minimum companion flange bore.

Available with thru-hole bolting or threaded bolt holes.

Sizes 30" and larger fit Series A flanges.

Seat Material	Operating Temperature**	
	°F	°C
Buna-N	-20 to 250	-29 to 121
Viton	-20 to 400	-29 to 204
EPDM	-40 to 300	-40 to 149

**Subject to limitations of body material.

Applicable Standards
• Design ASME B16.5
• Design ASME B16.34
• Testing API 598
• Conforms to API 594 & 6D
• MSS SP - 6
• MSS SP - 25
• MSS SP - 55

FLOW COEFFICIENTS

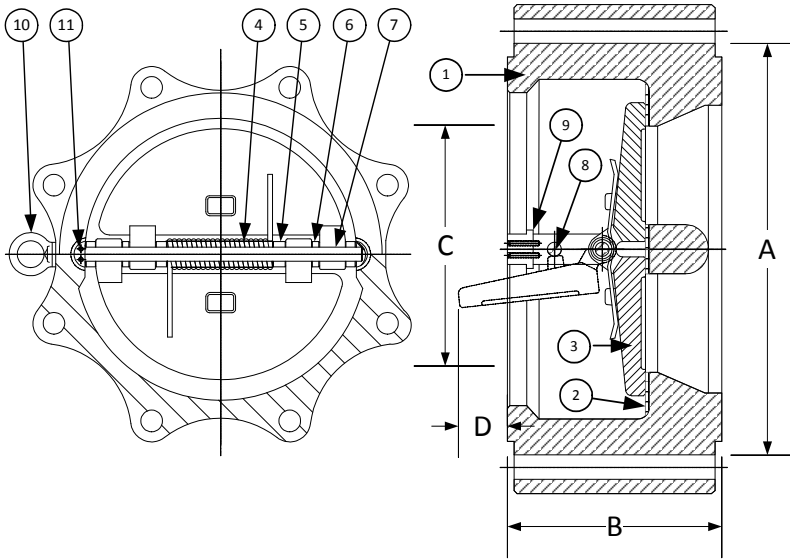
Size	2"	2½"	3"	4"	5"	6"
C _v	48	98	170	290	495	720
Size	8"	10"	12"	14"	16"	18"
C _v	1800	2600	4300	5500	7200	9400
Size	20"	24"				
C _v	12600	19000				



TECHNICAL DATA
DIMENSIONS AND WEIGHTS

Style DL

**Retainerless Wafer Lug Body
Double Disc Check Valve, 150 lb.
Alloy 20 (ASTM A 351, Grade CN7M)**



PARTS LIST

ITEM	DESCRIPTION	MATERIAL
1	Body	Alloy 20 (ASTM A 351, Grade CN7M)
2	Seat	Viton O-Ring
3	Disc	Alloy 20 (ASTM A 351, Grade CN7M)
4	Spring	Inconel X-750
5	Spring Plate	Stainless Steel (ASTM A 182, Grade F-316)
6	Thrust Washer	Stainless Steel (ASTM A 182, Grade F-316)
7	Hinge Pin	Stainless Steel (ASTM A 182, Grade F-316)
8	Stop Pin	Stainless Steel (ASTM A 182, Grade F-316)
9	Locating Piece	Stainless Steel (ASTM A 182, Grade F-316)
10	Lifting Lug	Carbon Steel
11	Screw	Stainless Steel (316)

Above "Standard" Product Number - DL2R-A2-A24IX
Other Options - Reference C2 for available materials.

SIZE		DIMENSIONS						WEIGHTS	
		A		B		C*			
in	mm	in	mm	in	mm	in	mm	lbs	kgs
2	50	4-1/8	105	2-3/8	60	1-15/16	49	18	8
2-1/2	65	4-7/8	124	2-5/8	67	2-11/32	60	22	10
3	80	5-3/8	137	2-7/8	73	2-29/32	74	30	14
4	100	6-7/8	175	2-7/8	73	3-53/64	97	44	20
5	125	7-3/4	197	3-3/8	86	4-13/16	122	51	23
6	150	8-3/4	222	3-7/8	98	5-49/64	146	84	38
8	200	11	279	5	127	7-1/2	191	91	41
10	250	13-3/8	340	5-3/4	146	9-7/16	240	156	71
12	300	16-1/8	410	7-1/8	181	11-1/4	286	252	114
14	350	17-3/4	441	7-1/4	184	12-5/8	321	291	132
16	400	20-1/4	514	7-1/2	191	14-11/16	373	464	210
18	450	21-5/8	549	8	203	16-9/16	421	431	195
20	500	23-7/8	606	8-5/8	219	18-7/16	468	501	227
24	600	28-1/4	718	8-3/4	222	21-5/8	549	682	309
30	750	34-3/4	883	12	305	28-7/16	722	1321	599
36	900	41-1/4	1048	14-1/2	368	34-3/8	873	1898	861
42	1050	48	1219	17	432	40-9/16	1030	3236	1468
48	1200	54-1/2	1384	20-5/8	524	44-3/16	1122	4899	2222

*Minimum companion flange bore.

Available with thru-hole bolting or threaded bolt holes.

Seat Material	Operating Temperature**	
	°F	°C
Buna-N	-20 to 250	-29 to 121
Viton	-20 to 400	-29 to 204
EPDM	-40 to 300	-40 to 149

**Subject to limitations of body material.

Applicable Standards
• Design ASME B16.5
• Design ASME B16.34
• Testing API 598
• Conforms to API 594 & 6D
• MSS SP - 6
• MSS SP - 25
• MSS SP - 55

FLOW COEFFICIENTS

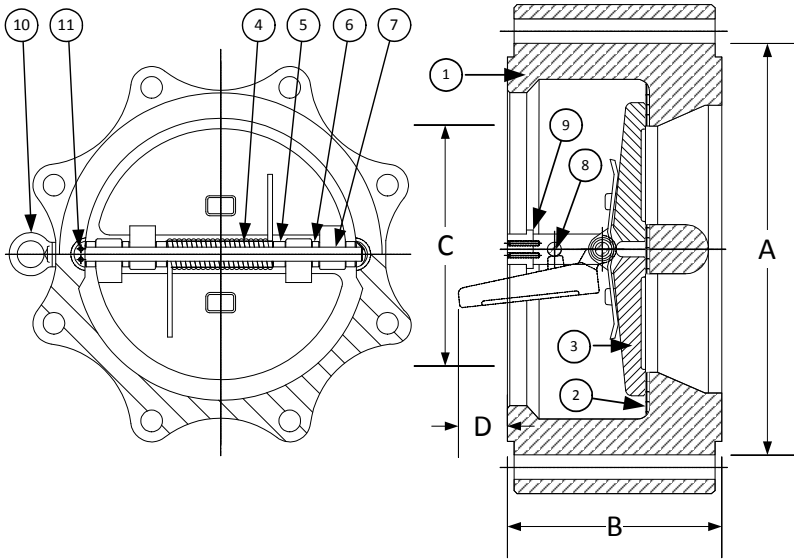
Size	2"	2-1/2"	3"	4"	5"	6"
C _v	48	98	170	290	495	720
Size	8"	10"	12"	14"	16"	18"
C _v	1800	2600	4300	5500	7200	9400
Size	20"	24"	30"	36"	42"	48"
C _v	12600	19000	37500	60000	89000	124000



TECHNICAL DATA
DIMENSIONS AND WEIGHTS

Style DL

**Retainerless Wafer Lug Body
Double Disc Check Valve, 300 lb.
Alloy 20 (ASTM A 351, Grade CN7M)**



PARTS LIST		
ITEM	DESCRIPTION	MATERIAL
1	Body	Alloy 20 (ASTM A 351, Grade CN7M)
2	Seat	Viton O-Ring
3	Disc	Alloy 20 (ASTM A 351, Grade CN7M)
4	Spring	Inconel X-750
5	Spring Plate	Stainless Steel (ASTM A 182, Grade F-316)
6	Thrust Washer	Stainless Steel (ASTM A 182, Grade F-316)
7	Hinge Pin	Stainless Steel (ASTM A 182, Grade F-316)
8	Stop Pin	Stainless Steel (ASTM A 182, Grade F-316)
9	Locating Piece	Stainless Steel (ASTM A 182, Grade F-316)
10	Lifting Lug	Carbon Steel
11	Screw	Stainless Steel (316)

Above "Standard" Product Number - DL4R-A2-A24IX
Other Options - Reference C2 for available materials.

SIZE		DIMENSIONS						WEIGHTS	
		A		B		C*			
in	mm	in	mm	in	mm	in	mm	lbs	kgs
2	50	4-3/8	111	2-3/8	60	1-15/16	49	18	8
2-1/2	65	5-1/8	130	2-5/8	67	2-11/32	60	22	10
3	80	5-7/8	149	2-7/8	73	2-29/32	74	30	14
4	100	7-1/8	181	2-7/8	73	3-53/64	97	44	20
5	125	8-1/2	216	3-3/8	86	4-13/16	122	51	23
6	150	9-7/8	251	3-7/8	98	5-49/64	146	84	38
8	200	12-1/8	308	5	127	7-5/8	194	163	74
10	250	14-1/4	362	5-3/4	146	9-9/16	243	270	123
12	300	16-5/8	422	7-1/8	181	11-1/4	286	361	164
14	350	19-1/8	486	8-3/4	222	12-7/16	316	543	246
16	400	21-1/4	540	9-1/8	232	14-1/2	368	792	359
18	450	23-1/2	597	10-3/8	264	16-3/8	416	790	358
20	500	25-3/4	654	11-1/2	292	18-1/16	459	780	354
24	600	30-1/2	775	12-1/2	318	20-11/16	525	1011	459
30	750	37-1/2	953	14-1/2	368	27-5/8	702	1974	895
36	900	44	1118	19	483	33-1/2	851	3926	1781
42	1050	45-7/8	1165	22-3/8	568	39-1/2	1003	4830	2191
48	1200	52-1/2	1334	24-3/4	629	42-1/4	1073	6653	3018

*Minimum companion flange bore.

Available with thru-hole bolting or threaded bolt holes.

Seat Material	Operating Temperature**	
	°F	°C
Buna-N	-20 to 250	-29 to 121
Viton	-20 to 400	-29 to 204
EPDM	-40 to 300	-40 to 149

**Subject to limitations of body material.

Applicable Standards
• Design ASME B16.5
• Design ASME B16.34
• Testing API 598
• Conforms to API 594 & 6D
• MSS SP - 6
• MSS SP - 25
• MSS SP - 55

FLOW COEFFICIENTS

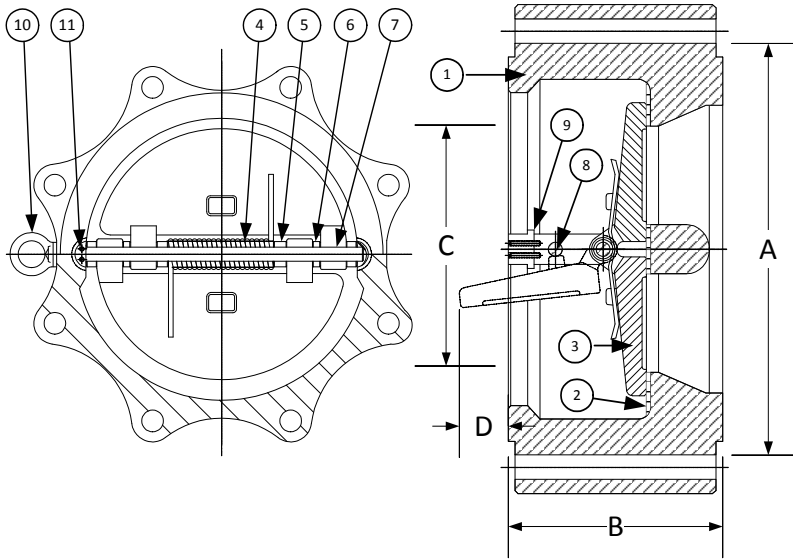
Size	2"	2-1/2"	3"	4"	5"	6"
C _v	48	98	170	290	495	720
Size	8"	10"	12"	14"	16"	18"
C _v	1800	2600	4300	5500	7200	9400
Size	20"	24"	30"	36"	42"	48"
C _v	12600	19000	37500	60000	89000	124000



TECHNICAL DATA
DIMENSIONS AND WEIGHTS

Style DL

**Retainerless Wafer Lug Body
Double Disc Check Valve, 600 lb.
Alloy 20 (ASTM A 351, Grade CN7M)**



PARTS LIST		
ITEM	DESCRIPTION	MATERIAL
1	Body	Alloy 20 (ASTM A 351, Grade CN7M)
2	Seat	Viton O-Ring
3	Disc	Alloy 20 (ASTM A 351, Grade CN7M)
4	Spring	Inconel X-750
5	Spring Plate	Stainless Steel (ASTM A 182, Grade F-316)
6	Thrust Washer	Stainless Steel (ASTM A 182, Grade F-316)
7	Hinge Pin	Stainless Steel (ASTM A 182, Grade F-316)
8	Stop Pin	Stainless Steel (ASTM A 182, Grade F-316)
9	Locating Piece	Stainless Steel (ASTM A 182, Grade F-316)
10	Lifting Lug	Carbon Steel
11	Screw	Stainless Steel (316)

Above "Standard" Product Number - DL5R-A2-A24IX
Other Options - Reference C2 for available materials.

SIZE		DIMENSIONS						WEIGHTS	
		A		B		C*			
in	mm	in	mm	in	mm	in	mm	lbs	kgs
2	50	4-3/8	111	2-3/8	60	1-3/16	30	18	8
2-1/2	65	5-1/8	130	2-5/8	67	2-1/8	54	27	12
3	80	5-7/8	149	2-7/8	73	2-3/16	56	27	12
4	100	7-5/8	194	3-1/8	79	3-5/16	84	51	23
5	125	9-1/2	241	4-1/8	105	4-1/2	114	97	44
6	150	10-1/2	267	5-3/8	137	4-3/4	121	151	68
8	200	12-5/8	321	6-1/2	165	6-25/32	172	261	118
10	250	15-3/4	400	8-3/8	213	8-1/2	216	460	209
12	300	18	457	9	229	10-9/16	268	587	266
14	350	19-3/8	492	10-3/4	273	11-15/16	303	817	371
16	400	22-1/4	565	12	305	13-1/2	343	1058	480
18	450	24-1/8	613	14-1/4	362	13-3/4	349	1011	459
20	500	26-7/8	683	14-1/2	368	16-15/16	430	1279	580
24	600	31-1/8	791	17-1/4	438	20-1/2	521	1851	840
30	750	38-1/4	972	19-7/8	505	26-1/2	673	2987	1355
36	900	44	1118	25	635	30-3/8	772	5364	2433
42	1050	48	1219	27-5/8	702	37-7/16	951	7048	3197

*Minimum companion flange bore.

Available with thru-hole bolting or threaded bolt holes.

Seat Material	Operating Temperature**	
	°F	°C
Buna-N	-20 to 250	-29 to 121
Viton	-20 to 400	-29 to 204
EPDM	-40 to 300	-40 to 149

**Subject to limitations of body material.

Applicable Standards
• Design ASME B16.5
• Design ASME B16.34
• Testing API 598
• Conforms to API 594 & 6D
• MSS SP - 6
• MSS SP - 25
• MSS SP - 55

FLOW COEFFICIENTS

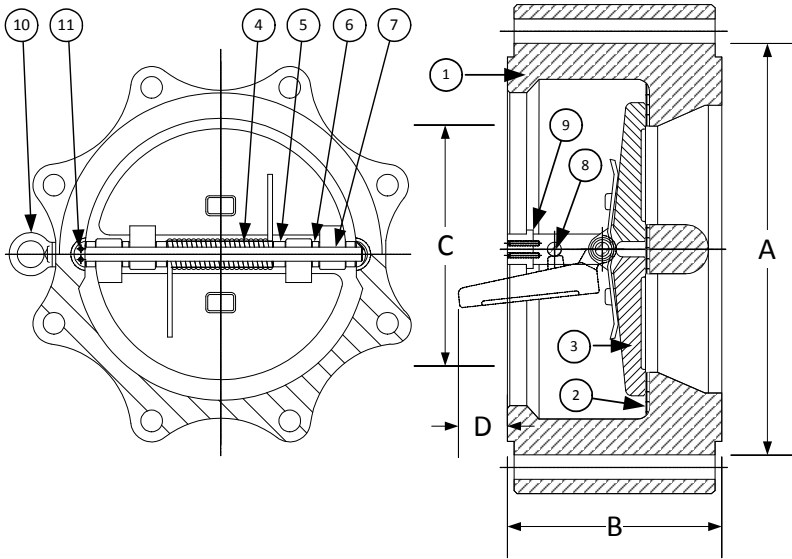
Size	2"	2-1/2"	3"	4"	5"	6"
C _v	48	98	170	290	495	720
Size	8"	10"	12"	14"	16"	18"
C _v	1800	2600	4300	5500	7200	9400
Size	20"	24"	30"	36"	42"	
C _v	12600	19000	37500	60000	89000	



TECHNICAL DATA
DIMENSIONS AND WEIGHTS

Style DL

**Retainerless Wafer Lug Body
Double Disc Check Valve, 900 lb.
Alloy 20 (ASTM A 351, Grade CN7M)**



PARTS LIST		
ITEM	DESCRIPTION	MATERIAL
1	Body	Alloy 20 (ASTM A 351, Grade CN7M)
2	Seat	Viton O-Ring
3	Disc	Alloy 20 (ASTM A 351, Grade CN7M)
4	Spring	Inconel X-750
5	Spring Plate	Stainless Steel (ASTM A 182, Grade F-316)
6	Thrust Washer	Stainless Steel (ASTM A 182, Grade F-316)
7	Hinge Pin	Stainless Steel (ASTM A 182, Grade F-316)
8	Stop Pin	Stainless Steel (ASTM A 182, Grade F-316)
9	Locating Piece	Stainless Steel (ASTM A 182, Grade F-316)
10	Lifting Lug	Carbon Steel
11	Screw	Stainless Steel (316)

Above "Standard" Product Number - DL6R-A2-A24IX
Other Options - Reference C2 for available materials.

SIZE		DIMENSIONS						WEIGHTS	
		A		B		C*			
in	mm	in	mm	in	mm	in	mm	lbs	kgs
2	50	5-5/8	143	2-3/4	70	-	-	26	12
2-1/2	65	6-1/2	165	3-1/4	83	2	51	40	18
3	80	6-5/8	168	3-1/4	83	2-1/8	54	44	20
4	100	8-1/8	206	4	102	3-1/16	78	68	31
6	150	11-3/8	289	6-1/4	159	3-5/8	92	240	109
8	200	14-1/8	359	8-1/8	206	6-1/2	165	443	201
10	250	17-1/8	435	9-1/2	241	8-3/16	208	661	300
12	300	19-5/8	498	11-1/2	292	9-3/4	248	981	445
14	350	20-1/2	521	14	356	8-15/16	227	1241	563
16	400	22-5/8	575	15-1/8	384	11-7/32	285	2074	941
18	450	25-1/8	638	17-3/4	451	13-15/16	354	1418	643
20	500	27-1/2	699	17-3/4	451	17-1/16	433	1892	858
24	600	33	838	19-1/2	495	20-15/32	520	2786	1264

*Minimum companion flange bore.

Available with thru-hole bolting or threaded bolt holes.

Seat Material	Operating Temperature**	
	°F	°C
Buna-N	-20 to 250	-29 to 121
Viton	-20 to 400	-29 to 204
EPDM	-40 to 300	-40 to 149

**Subject to limitations of body material.

Applicable Standards
• Design ASME B16.5
• Design ASME B16.34
• Testing API 598
• Conforms to API 594 & 6D
• MSS SP - 6
• MSS SP - 25
• MSS SP - 55

FLOW COEFFICIENTS

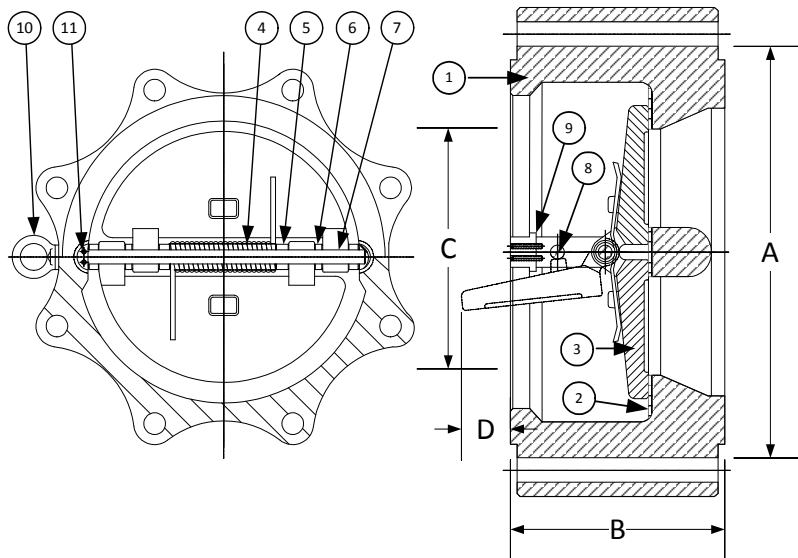
Size	2"	2-1/2"	3"	4"	5"	6"
C _v	48	98	170	290	495	720
Size	8"	10"	12"	14"	16"	18"
C _v	1800	2600	4300	5500	7200	9400
Size	20"	24"				
C _v	12600	19000				



TECHNICAL DATA
DIMENSIONS AND WEIGHTS

Style DL

**Retainerless Wafer Lug Body
Double Disc Check Valve, 1500 lb.
Alloy 20 (ASTM A 351, Grade CN7M)**



PARTS LIST		
ITEM	DESCRIPTION	MATERIAL
1	Body	Alloy 20 (ASTM A 351, Grade CN7M)
2	Seat	Viton O-Ring
3	Disc	Alloy 20 (ASTM A 351, Grade CN7M)
4	Spring	Inconel X-750
5	Spring Plate	Stainless Steel (ASTM A 182, Grade F-316)
6	Thrust Washer	Stainless Steel (ASTM A 182, Grade F-316)
7	Hinge Pin	Stainless Steel (ASTM A 182, Grade F-316)
8	Stop Pin	Stainless Steel (ASTM A 182, Grade F-316)
9	Locating Piece	Stainless Steel (ASTM A 182, Grade F-316)
10	Lifting Lug	Carbon Steel
11	Screw	Stainless Steel (316)

Above "Standard" Product Number – DL7R-A2-A24IX
Other Options - Reference C2 for available materials.

SIZE		DIMENSIONS						WEIGHTS	
		A		B		C*			
in	mm	in	mm	in	mm	in	mm	lbs	kgs
2	50	5-5/8	143	2-3/4	70	1-11/16	43	37	17
3	80	6-7/8	175	3-1/4	83	2-5/8	67	70	32
4	100	8-1/4	210	4	102	3-7/16	87	112	51
6	150	11-1/8	283	6-1/4	159	5-3/16	132	262	119
8	200	13-7/8	352	8-1/8	206	6-13/16	173	488	221
10	250	17-1/8	435	9-3/4	248	8-1/2	216	917	416
12	300	20-1/2	521	12	305	10-1/8	257	1425	646
14	350	22-3/4	578	14	356	11-1/2	292	245	928
16	400	25-1/4	641	15-1/8	384	12-13/16	325	2600	1179
18	450	27-3/4	705	18-7/16	468	13-3/4	349	3883	1761
20	500	29-3/4	756	21	533	14-3/4	348	5700	2580
24	600	35-1/2	902	22	559	15-1/8	384	7150	3236

*Minimum companion flange bore.
Available with thru-hole bolting or threaded bolt holes.

Sizes 30" and larger fit Series A flanges.

Seat Material	Operating Temperature**	
	°F	°C
Buna-N	-20 to 250	-29 to 121
Viton	-20 to 400	-29 to 204
EPDM	-40 to 300	-40 to 149

**Subject to limitations of body material.

Applicable Standards
• Design ASME B16.5
• Design ASME B16.34
• Testing API 598
• Conforms to API 594 & 6D
• MSS SP – 6
• MSS SP – 25
• MSS SP – 55

FLOW COEFFICIENTS

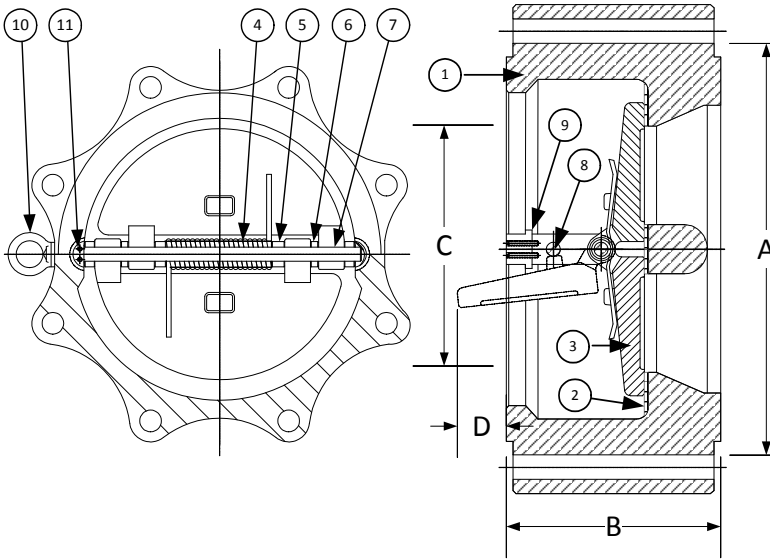
Size	2"	2½"	3"	4"	5"	6"
C _v	48	98	170	290	495	720
Size	8"	10"	12"	14"	16"	18"
C _v	1800	2600	4300	5500	7200	9400
Size	20"	24"				
C _v	12600	19000				



TECHNICAL DATA
DIMENSIONS AND WEIGHTS

Style DL

**Retainerless Wafer Lug Body
Double Disc Check Valve, 150 lb.
Hastelloy C276 (ASTM A 494, Grade CW12MW)**



PARTS LIST		
ITEM	DESCRIPTION	MATERIAL
1	Body	Hastelloy C276 (ASTM A 494, Grade CW12MW)
2	Seat	Viton O-Ring
3	Disc	Hastelloy C276 (ASTM A 494, Grade CW12MW)
4	Spring	Inconel X-750
5	Spring Plate	Stainless Steel (ASTM A 182, Grade F-316)
6	Thrust Washer	Stainless Steel (ASTM A 182, Grade F-316)
7	Hinge Pin	Stainless Steel (ASTM A 182, Grade F-316)
8	Stop Pin	Stainless Steel (ASTM A 182, Grade F-316)
9	Locating Piece	Stainless Steel (ASTM A 182, Grade F-316)
10	Lifting Lug	Carbon Steel
11	Screw	Stainless Steel (316)

Above "Standard" Product Number - DL2R-DP-DP4IX
Other Options - Reference C2 for available materials.

SIZE		DIMENSIONS						WEIGHTS	
		A		B		C*			
in	mm	in	mm	in	mm	in	mm	lbs	kgs
2	50	4-1/8	105	2-3/8	60	1-15/16	49	18	8
2-1/2	65	4-7/8	124	2-5/8	67	2-11/32	60	22	10
3	80	5-3/8	137	2-7/8	73	2-29/32	74	30	14
4	100	6-7/8	175	2-7/8	73	3-53/64	97	44	20
5	125	7-3/4	197	3-3/8	86	4-13/16	122	51	23
6	150	8-3/4	222	3-7/8	98	5-49/64	146	84	38
8	200	11	279	5	127	7-1/2	191	91	41
10	250	13-3/8	340	5-3/4	146	9-7/16	240	156	71
12	300	16-1/8	410	7-1/8	181	11-1/4	286	252	114
14	350	17-3/4	441	7-1/4	184	12-5/8	321	291	132
16	400	20-1/4	514	7-1/2	191	14-11/16	373	464	210
18	450	21-5/8	549	8	203	16-9/16	421	431	195
20	500	23-7/8	606	8-5/8	219	18-7/16	468	501	227
24	600	28-1/4	718	8-3/4	222	21-5/8	549	682	309
30	750	34-3/4	883	12	305	28-7/16	722	1321	599
36	900	41-1/4	1048	14-1/2	368	34-3/8	873	1898	861
42	1050	48	1219	17	432	40-9/16	1030	3236	1468
48	1200	54-1/2	1384	20-5/8	524	44-3/16	1122	4899	2222

*Minimum companion flange bore.

Available with thru-hole bolting or threaded bolt holes.

Seat Material	Operating Temperature**	
	°F	°C
Buna-N	-20 to 250	-29 to 121
Viton	-20 to 400	-29 to 204
EPDM	-40 to 300	-40 to 149

**Subject to limitations of body material.

Applicable Standards
• Design ASME B16.5
• Design ASME B16.34
• Testing API 598
• Conforms to API 594 & 6D
• MSS SP - 6
• MSS SP - 25
• MSS SP - 55

FLOW COEFFICIENTS

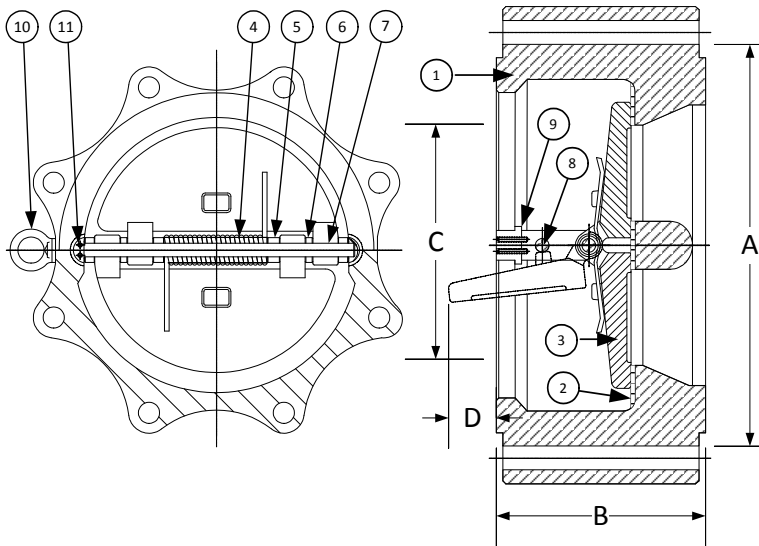
Size	2"	2-1/2"	3"	4"	5"	6"
C _v	48	98	170	290	495	720
Size	8"	10"	12"	14"	16"	18"
C _v	1800	2600	4300	5500	7200	9400
Size	20"	24"	30"	36"	42"	48"
C _v	12600	19000	37500	60000	89000	124000



TECHNICAL DATA
DIMENSIONS AND WEIGHTS

Style DL

**Retainerless Wafer Lug Body
Double Disc Check Valve, 300 lb.
Hastelloy C276 (ASTM A 494, Grade CW12MW)**



PARTS LIST		
ITEM	DESCRIPTION	MATERIAL
1	Body	Hastelloy C276 (ASTM A 494, Grade CW12MW)
2	Seat	Viton O-Ring
3	Disc	Hastelloy C276 (ASTM A 494, Grade CW12MW)
4	Spring	Inconel X-750
5	Spring Plate	Stainless Steel (ASTM A 182, Grade F-316)
6	Thrust Washer	Stainless Steel (ASTM A 182, Grade F-316)
7	Hinge Pin	Stainless Steel (ASTM A 182, Grade F-316)
8	Stop Pin	Stainless Steel (ASTM A 182, Grade F-316)
9	Locating Piece	Stainless Steel (ASTM A 182, Grade F-316)
10	Lifting Lug	Carbon Steel
11	Screw	Stainless Steel (316)

Above "Standard" Product Number - DL4R-HC-HC4IX
Other Options - Reference C2 for available materials.

SIZE		DIMENSIONS						WEIGHTS	
		A		B		C*			
in	mm	in	mm	in	mm	in	mm	lbs	kgs
2	50	4-3/8	111	2-3/8	60	1-15/16	49	18	8
2-1/2	65	5-1/8	130	2-5/8	67	2-11/32	60	22	10
3	80	5-7/8	149	2-7/8	73	2-29/32	74	30	14
4	100	7-1/8	181	2-7/8	73	3-53/64	97	44	20
5	125	8-1/2	216	3-3/8	86	4-13/16	122	51	23
6	150	9-7/8	251	3-7/8	98	5-49/64	146	84	38
8	200	12-1/8	308	5	127	7-5/8	194	163	74
10	250	14-1/4	362	5-3/4	146	9-9/16	243	270	123
12	300	16-5/8	422	7-1/8	181	11-1/4	286	361	164
14	350	19-1/8	486	8-3/4	222	12-7/16	316	543	246
16	400	21-1/4	540	9-1/8	232	14-1/2	368	792	359
18	450	23-1/2	597	10-3/8	264	16-3/8	416	790	358
20	500	25-3/4	654	11-1/2	292	18-1/16	459	780	354
24	600	30-1/2	775	12-1/2	318	20-11/16	525	1011	459
30	750	37-1/2	953	14-1/2	368	27-5/8	702	1974	895
36	900	44	1118	19	483	33-1/2	851	3926	1781
42	1050	45-7/8	1165	22-3/8	568	39-1/2	1003	4830	2191
48	1200	52-1/2	1334	24-3/4	629	42-1/4	1073	6653	3018

*Minimum companion flange bore.

Available with thru-hole bolting or threaded bolt holes.

Seat Material	Operating Temperature**	
	°F	°C
Buna-N	-20 to 250	-29 to 121
Viton	-20 to 400	-29 to 204
EPDM	-40 to 300	-40 to 149

**Subject to limitations of body material.

Applicable Standards
• Design ASME B16.5
• Design ASME B16.34
• Testing API 598
• Conforms to API 594 & 6D
• MSS SP - 6
• MSS SP - 25
• MSS SP - 55

FLOW COEFFICIENTS

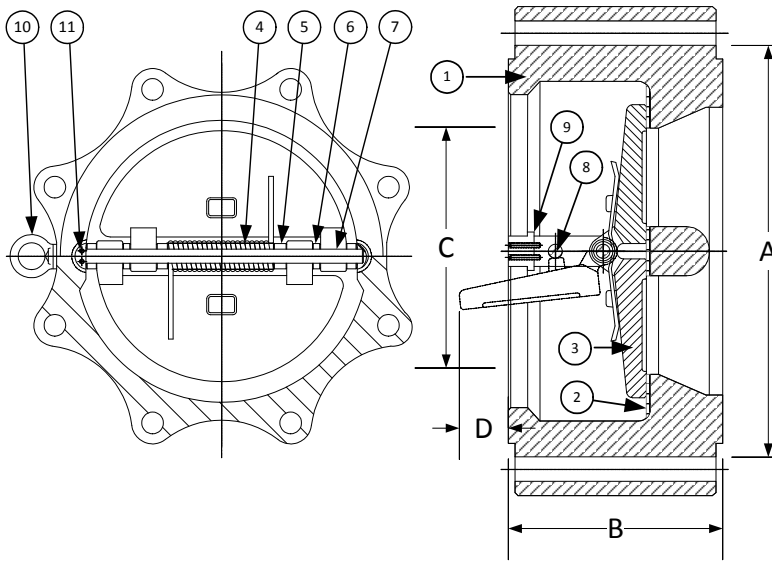
Size	2"	2-1/2"	3"	4"	5"	6"
C _v	48	98	170	290	495	720
Size	8"	10"	12"	14"	16"	18"
C _v	1800	2600	4300	5500	7200	9400
Size	20"	24"	30"	36"	42"	48"
C _v	12600	19000	37500	60000	89000	124000



TECHNICAL DATA
DIMENSIONS AND WEIGHTS

Style DL

**Retainerless Wafer Lug Body
Double Disc Check Valve, 600 lb.
Hastelloy C276 (ASTM A 494, Grade CW12MW)**



PARTS LIST		
ITEM	DESCRIPTION	MATERIAL
1	Body	Hastelloy C276 (ASTM A 484, Grade CW12MW)
2	Seat	Viton O-Ring
3	Disc	Hastelloy C276 (ASTM A 484, Grade CW12MW)
4	Spring	Inconel X-750
5	Spring Plate	Stainless Steel (ASTM A 182, Grade F-316)
6	Thrust Washer	Stainless Steel (ASTM A 182, Grade F-316)
7	Hinge Pin	Stainless Steel (ASTM A 182, Grade F-316)
8	Stop Pin	Stainless Steel (ASTM A 182, Grade F-316)
9	Locating Piece	Stainless Steel (ASTM A 182, Grade F-316)
10	Lifting Lug	Carbon Steel
11	Screw	Stainless Steel (316)

Above "Standard" Product Number - DL5R-HC-HC4IX
Other Options - Reference C2 for available materials.

SIZE		DIMENSIONS						WEIGHTS	
		A		B		C*			
in	mm	in	mm	in	mm	in	mm	lbs	kgs
2	50	4-3/8	111	2-3/8	60	1-3/16	30	18	8
2-1/2	65	5-1/8	130	2-5/8	67	2-1/8	54	27	12
3	80	5-7/8	149	2-7/8	73	2-3/16	56	27	12
4	100	7-5/8	194	3-1/8	79	3-5/16	84	51	23
5	125	9-1/2	241	4-1/8	105	4-1/2	114	97	44
6	150	10-1/2	267	5-3/8	137	4-3/4	121	151	68
8	200	12-5/8	321	6-1/2	165	6-25/32	172	261	118
10	250	15-3/4	400	8-3/8	213	8-1/2	216	460	209
12	300	18	457	9	229	10-9/16	268	587	266
14	350	19-3/8	492	10-3/4	273	11-15/16	303	817	371
16	400	22-1/4	565	12	305	13-1/2	343	1058	480
18	450	24-1/8	613	14-1/4	362	13-3/4	349	1011	459
20	500	26-7/8	683	14-1/2	368	16-15/16	430	1279	580
24	600	31-1/8	791	17-1/4	438	20-1/2	521	1851	840
30	750	38-1/4	972	19-7/8	505	26-1/2	673	2987	1355
36	900	44	1118	25	635	30-3/8	772	5364	2433
42	1050	48	1219	27-5/8	702	37-7/16	951	7048	3197

*Minimum companion flange bore.

Available with thru-hole bolting or threaded bolt holes.

Seat Material	Operating Temperature**	
	°F	°C
Buna-N	-20 to 250	-29 to 121
Viton	-20 to 400	-29 to 204
EPDM	-40 to 300	-40 to 149

**Subject to limitations of body material.

Applicable Standards
• Design ASME B16.5
• Design ASME B16.34
• Testing API 598
• Conforms to API 594 & 6D
• MSS SP - 6
• MSS SP - 25
• MSS SP - 55

FLOW COEFFICIENTS

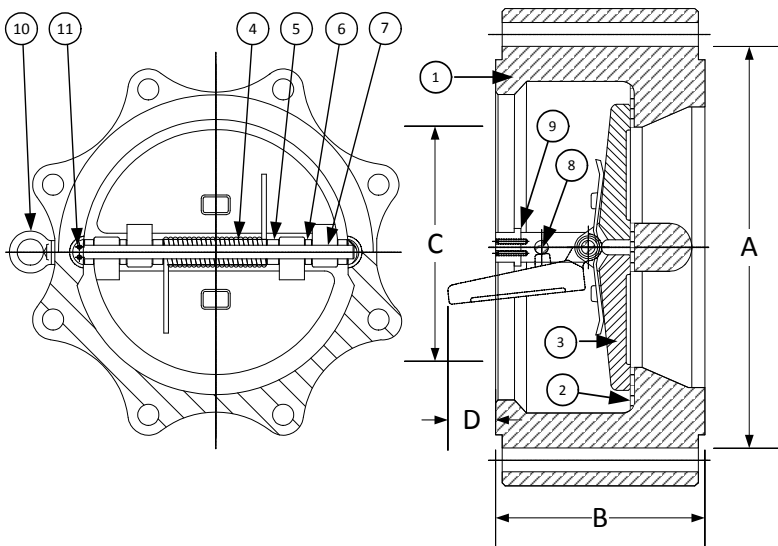
Size	2"	2-1/2"	3"	4"	5"	6"
C _v	48	98	170	290	495	720
Size	8"	10"	12"	14"	16"	18"
C _v	1800	2600	4300	5500	7200	9400
Size	20"	24"	30"	36"	42"	
C _v	12600	19000	37500	60000	89000	



TECHNICAL DATA
DIMENSIONS AND WEIGHTS

Style DL

**Retainerless Wafer Lug Body
Double Disc Check Valve, 900 lb.
Hastelloy C276 (ASTM A 494, Grade CW12MW)**



PARTS LIST		
ITEM	DESCRIPTION	MATERIAL
1	Body	Hastelloy C276 (ASTM A 494, Grade CW12MW)
2	Seat	Viton O-Ring
3	Disc	Hastelloy C276 (ASTM A 494, Grade CW12MW)
4	Spring	Inconel X-750
5	Spring Plate	Stainless Steel (ASTM A 182, Grade F-316)
6	Thrust Washer	Stainless Steel (ASTM A 182, Grade F-316)
7	Hinge Pin	Stainless Steel (ASTM A 182, Grade F-316)
8	Stop Pin	Stainless Steel (ASTM A 182, Grade F-316)
9	Locating Piece	Stainless Steel (ASTM A 182, Grade F-316)
10	Lifting Lug	Carbon Steel
11	Screw	Stainless Steel (316)

Above "Standard" Product Number - DL6R-HC-HC4IX
Other Options - Reference C2 for available materials.

SIZE		DIMENSIONS						WEIGHTS	
		A		B		C*			
in	mm	in	mm	in	mm	in	mm	lbs	kgs
2	50	5-5/8	143	2-3/4	70	-	-	26	12
2-1/2	65	6-1/2	165	3-1/4	83	2	51	40	18
3	80	6-5/8	168	3-1/4	83	2-1/8	54	44	20
4	100	8-1/8	206	4	102	3-1/16	78	68	31
6	150	11-3/8	289	6-1/4	159	3-5/8	92	240	109
8	200	14-1/8	359	8-1/8	206	6-1/2	165	443	201
10	250	17-1/8	435	9-1/2	241	8-3/16	208	661	300
12	300	19-5/8	498	11-1/2	292	9-3/4	248	981	445
14	350	20-1/2	521	14	356	8-15/16	227	1241	563
16	400	22-5/8	575	15-1/8	384	11-7/32	285	2074	941
18	450	25-1/8	638	17-3/4	451	13-15/16	354	1418	643
20	500	27-1/2	699	17-3/4	451	17-1/16	433	1892	858
24	600	33	838	19-1/2	495	20-15/32	520	2786	1264

*Minimum companion flange bore.

Available with thru-hole bolting or threaded bolt holes.

Seat Material	Operating Temperature**	
	°F	°C
Buna-N	-20 to 250	-29 to 121
Viton	-20 to 400	-29 to 204
EPDM	-40 to 300	-40 to 149

Applicable Standards
• Design ASME B16.5
• Design ASME B16.34
• Testing API 598
• Conforms to API 594 & 6D
• MSS SP - 6
• MSS SP - 25
• MSS SP - 55

**Subject to limitations of body material.

FLOW COEFFICIENTS

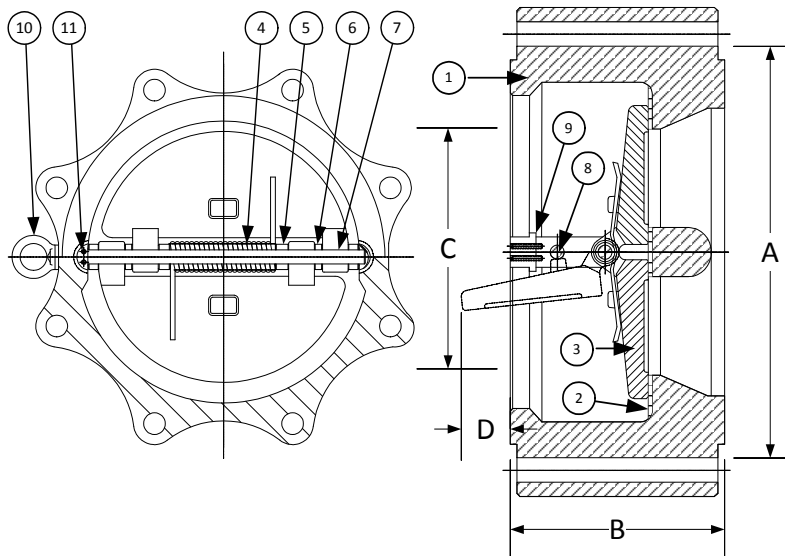
Size	2"	2-1/2"	3"	4"	5"	6"
C _v	48	98	170	290	495	720
Size	8"	10"	12"	14"	16"	18"
C _v	1800	2600	4300	5500	7200	9400
Size	20"	24"				
C _v	12600	19000				



TECHNICAL DATA
DIMENSIONS AND WEIGHTS

Style DL

**Retainerless Wafer Lug Body
Double Disc Check Valve, 1500 lb.
Hastelloy C276 (ASTM A 494, Grade CW12MW)**



PARTS LIST		
ITEM	DESCRIPTION	MATERIAL
1	Body	Hastelloy C276 (ASTM A 494, Grade CW12MW)
2	Seat	Viton O-Ring
3	Disc	Hastelloy C276 (ASTM A 494, Grade CW12MW)
4	Spring	Inconel X-750
5	Spring Plate	Stainless Steel (ASTM A 182, Grade F-316)
6	Thrust Washer	Stainless Steel (ASTM A 182, Grade F-316)
7	Hinge Pin	Stainless Steel (ASTM A 182, Grade F-316)
8	Stop Pin	Stainless Steel (ASTM A 182, Grade F-316)
9	Locating Piece	Stainless Steel (ASTM A 182, Grade F-316)
10	Lifting Lug	Carbon Steel
11	Screw	Stainless Steel (316)

Above "Standard" Product Number - DL7R-HC-HC4IX
Other Options - Reference C2 for available materials.

SIZE		DIMENSIONS						WEIGHTS	
		A		B		C*			
in	mm	in	mm	in	mm	in	mm	lbs	kgs
2	50	5-5/8	143	2-3/4	70	1-11/16	43	37	17
3	80	6-7/8	175	3-1/4	83	2-5/8	67	70	32
4	100	8-1/4	210	4	102	3-7/16	87	112	51
6	150	11-1/8	283	6-1/4	159	5-3/16	132	262	119
8	200	13-7/8	352	8-1/8	206	6-13/16	173	488	221
10	250	17-1/8	435	9-3/4	248	8-1/2	216	917	416
12	300	20-1/2	521	12	305	10-1/8	257	1425	646
14	350	22-3/4	578	14	356	11-1/2	292	245	928
16	400	25-1/4	641	15-1/8	384	12-13/16	325	2600	1179
18	450	27-3/4	705	18-7/16	468	13-3/4	349	3883	1761
20	500	29-3/4	756	21	533	14-3/4	348	5700	2580
24	600	35-1/2	902	22	559	15-1/8	384	7150	3236

*Minimum companion flange bore.

Available with thru-hole bolting or threaded bolt holes.

Sizes 30" and larger fit Series A flanges.

Seat Material	Operating Temperature**	
	°F	°C
Buna-N	-20 to 250	-29 to 121
Viton	-20 to 400	-29 to 204
EPDM	-40 to 300	-40 to 149

**Subject to limitations of body material.

Applicable Standards
• Design ASME B16.5
• Design ASME B16.34
• Testing API 598
• Conforms to API 594 & 6D
• MSS SP - 6
• MSS SP - 25
• MSS SP - 55

FLOW COEFFICIENTS

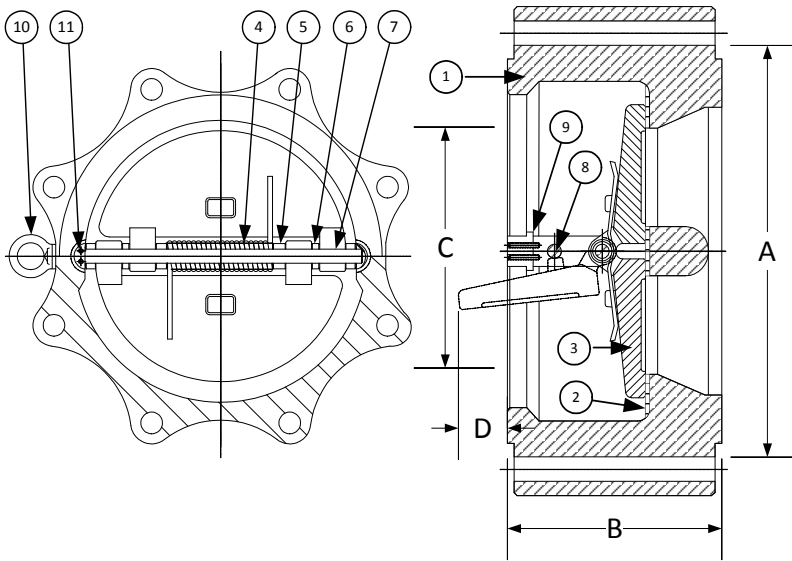
Size	2"	2½"	3"	4"	5"	6"
C _v	48	98	170	290	495	720
Size	8"	10"	12"	14"	16"	18"
C _v	1800	2600	4300	5500	7200	9400
Size	20"	24"				
C _v	12600	19000				



TECHNICAL DATA
DIMENSIONS AND WEIGHTS

Style DL

**Retainerless Wafer Lug Body
Double Disc Check Valve, 150 lb.
Monel (ASTM A 494, Grade M35-2)**



PARTS LIST

ITEM	DESCRIPTION	MATERIAL
1	Body	Monel (ASTM A 494, Grade M35-2)
2	Seat	Viton O-Ring
3	Disc	Monel (ASTM A 494, Grade M35-2)
4	Spring	Inconel X-750
5	Spring Plate	Stainless Steel (ASTM A 182, Grade F-316)
6	Thrust Washer	Stainless Steel (ASTM A 182, Grade F-316)
7	Hinge Pin	Stainless Steel (ASTM A 182, Grade F-316)
8	Stop Pin	Stainless Steel (ASTM A 182, Grade F-316)
9	Locating Piece	Stainless Steel (ASTM A 182, Grade F-316)
10	Lifting Lug	Carbon Steel
11	Screw	Stainless Steel (316)

Above "Standard" Product Number – DL2R-ML-ML4IX
Other Options - Reference C2 for available materials.

SIZE		DIMENSIONS						WEIGHTS	
		A		B		C*			
in	mm	in	mm	in	mm	in	mm	lbs	kgs
2	50	4-1/8	105	2-3/8	60	1-15/16	49	18	8
2-1/2	65	4-7/8	124	2-5/8	67	2-11/32	60	22	10
3	80	5-3/8	137	2-7/8	73	2-29/32	74	30	14
4	100	6-7/8	175	2-7/8	73	3-53/64	97	44	20
5	125	7-3/4	197	3-3/8	86	4-13/16	122	51	23
6	150	8-3/4	222	3-7/8	98	5-49/64	146	84	38
8	200	11	279	5	127	7-1/2	191	91	41
10	250	13-3/8	340	5-3/4	146	9-7/16	240	156	71
12	300	16-1/8	410	7-1/8	181	11-1/4	286	252	114
14	350	17-3/4	441	7-1/4	184	12-5/8	321	291	132
16	400	20-1/4	514	7-1/2	191	14-11/16	373	464	210
18	450	21-5/8	549	8	203	16-9/16	421	431	195
20	500	23-7/8	606	8-5/8	219	18-7/16	468	501	227
24	600	28-1/4	718	8-3/4	222	21-5/8	549	682	309
30	750	34-3/4	883	12	305	28-7/16	722	1321	599
36	900	41-1/4	1048	14-1/2	368	34-3/8	873	1898	861
42	1050	48	1219	17	432	40-9/16	1030	3236	1468
48	1200	54-1/2	1384	20-5/8	524	44-3/16	1122	4899	2222

*Minimum companion flange bore.

Available with thru-hole bolting or threaded bolt holes.

Seat Material	Operating Temperature**	
	°F	°C
Buna-N	-20 to 250	-29 to 121
Viton	-20 to 400	-29 to 204
EPDM	-40 to 300	-40 to 149

**Subject to limitations of body material.

Applicable Standards
• Design ASME B16.5
• Design ASME B16.34
• Testing API 598
• Conforms to API 594 & 6D
• MSS SP - 6
• MSS SP - 25
• MSS SP - 55

FLOW COEFFICIENTS

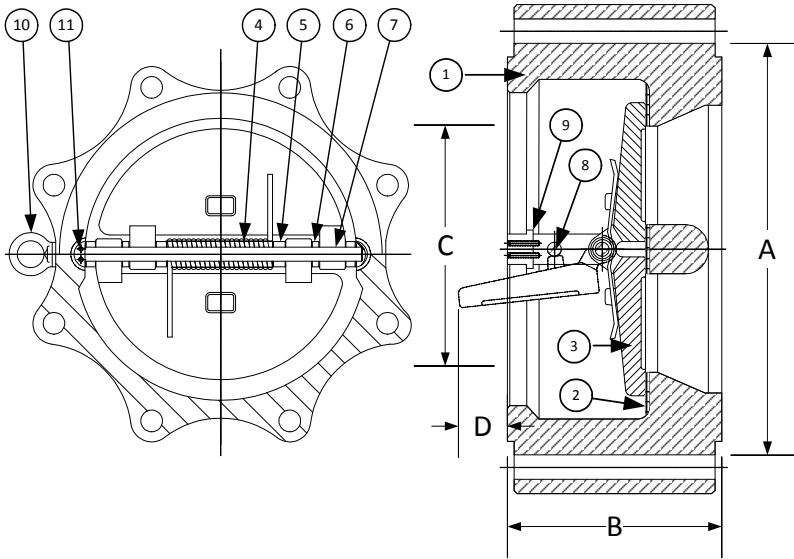
Size	2"	2-1/2"	3"	4"	5"	6"
C _v	48	98	170	290	495	720
Size	8"	10"	12"	14"	16"	18"
C _v	1800	2600	4300	5500	7200	9400
Size	20"	24"	30"	36"	42"	48"
C _v	12600	19000	37500	60000	89000	124000



TECHNICAL DATA
DIMENSIONS AND WEIGHTS

Style DL

**Retainerless Wafer Lug Body
Double Disc Check Valve, 300 lb.
Monel (ASTM A 494, Grade M35-2)**



PARTS LIST		
ITEM	DESCRIPTION	MATERIAL
1	Body	Monel (ASTM A 494, Grade M35-2)
2	Seat	Viton O-Ring
3	Disc	Monel (ASTM A 494, Grade M35-2)
4	Spring	Inconel X-750
5	Spring Plate	Stainless Steel (ASTM A 182, Grade F-316)
6	Thrust Washer	Stainless Steel (ASTM A 182, Grade F-316)
7	Hinge Pin	Stainless Steel (ASTM A 182, Grade F-316)
8	Stop Pin	Stainless Steel (ASTM A 182, Grade F-316)
9	Locating Piece	Stainless Steel (ASTM A 182, Grade F-316)
10	Lifting Lug	Carbon Steel
11	Screw	Stainless Steel (316)

Above "Standard" Product Number – DL4R-ML-ML4IX
Other Options - Reference C2 for available materials.

SIZE		DIMENSIONS						WEIGHTS	
		A		B		C*			
in	mm	in	mm	in	mm	in	mm	lbs	kgs
2	50	4-3/8	111	2-3/8	60	1-15/16	49	18	8
2-1/2	65	5-1/8	130	2-5/8	67	2-11/32	60	22	10
3	80	5-7/8	149	2-7/8	73	2-29/32	74	30	14
4	100	7-1/8	181	2-7/8	73	3-53/64	97	44	20
5	125	8-1/2	216	3-3/8	86	4-13/16	122	51	23
6	150	9-7/8	251	3-7/8	98	5-49/64	146	84	38
8	200	12-1/8	308	5	127	7-5/8	194	163	74
10	250	14-1/4	362	5-3/4	146	9-9/16	243	270	123
12	300	16-5/8	422	7-1/8	181	11-1/4	286	361	164
14	350	19-1/8	486	8-3/4	222	12-7/16	316	543	246
16	400	21-1/4	540	9-1/8	232	14-1/2	368	792	359
18	450	23-1/2	597	10-3/8	264	16-3/8	416	790	358
20	500	25-3/4	654	11-1/2	292	18-1/16	459	780	354
24	600	30-1/2	775	12-1/2	318	20-11/16	525	1011	459
30	750	37-1/2	953	14-1/2	368	27-5/8	702	1974	895
36	900	44	1118	19	483	33-1/2	851	3926	1781
42	1050	45-7/8	1165	22-3/8	568	39-1/2	1003	4830	2191
48	1200	52-1/2	1334	24-3/4	629	42-1/4	1073	6653	3018

*Minimum companion flange bore.

Available with thru-hole bolting or threaded bolt holes.

Seat Material	Operating Temperature**	
	°F	°C
Buna-N	-20 to 250	-29 to 121
Viton	-20 to 400	-29 to 204
EPDM	-40 to 300	-40 to 149

**Subject to limitations of body material.

Applicable Standards
• Design ASME B16.5
• Design ASME B16.34
• Testing API 598
• Conforms to API 594 & 6D
• MSS SP – 6
• MSS SP – 25
• MSS SP – 55

FLOW COEFFICIENTS

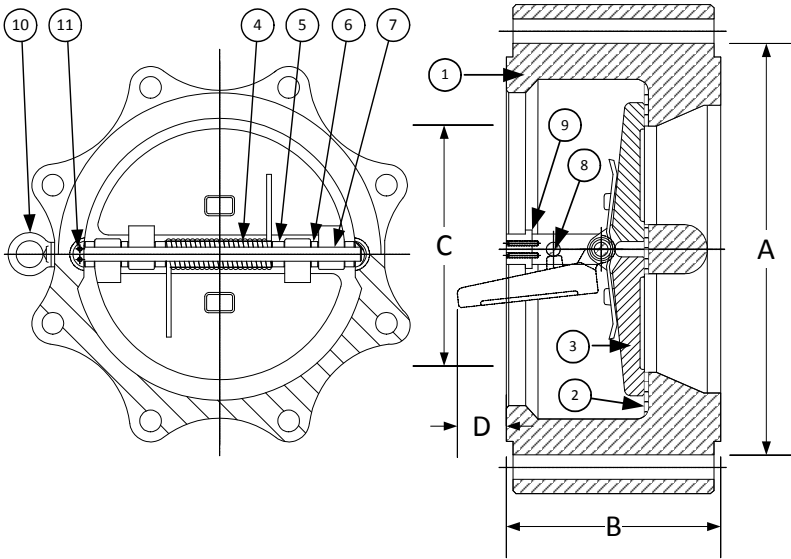
Size	2"	2-1/2"	3"	4"	5"	6"
C _v	48	98	170	290	495	720
Size	8"	10"	12"	14"	16"	18"
C _v	1800	2600	4300	5500	7200	9400
Size	20"	24"	30"	36"	42"	48"
C _v	12600	19000	37500	60000	89000	124000



TECHNICAL DATA
DIMENSIONS AND WEIGHTS

Style DL

**Retainerless Wafer Lug Body
Double Disc Check Valve, 600 lb.
Monel (ASTM A 484, Grade M35-2)**



PARTS LIST

ITEM	DESCRIPTION	MATERIAL
1	Body	Monel (ASTM A 494, Grade M35-2)
2	Seat	Viton O-Ring
3	Disc	Monel (ASTM A 494, Grade M35-2)
4	Spring	Inconel X-750
5	Spring Plate	Stainless Steel (ASTM A 182, Grade F-316)
6	Thrust Washer	Stainless Steel (ASTM A 182, Grade F-316)
7	Hinge Pin	Stainless Steel (ASTM A 182, Grade F-316)
8	Stop Pin	Stainless Steel (ASTM A 182, Grade F-316)
9	Locating Piece	Stainless Steel (ASTM A 182, Grade F-316)
10	Lifting Lug	Carbon Steel
11	Screw	Stainless Steel (316)

Above "Standard" Product Number – DL5R-ML-ML4IX
Other Options - Reference C2 for available materials.

SIZE		DIMENSIONS						WEIGHTS	
		A		B		C*			
in	mm	in	mm	in	mm	in	mm	lbs	kgs
2	50	4-3/8	111	2-3/8	60	1-3/16	30	18	8
2-1/2	65	5-1/8	130	2-5/8	67	2-1/8	54	27	12
3	80	5-7/8	149	2-7/8	73	2-3/16	56	27	12
4	100	7-5/8	194	3-1/8	79	3-5/16	84	51	23
5	125	9-1/2	241	4-1/8	105	4-1/2	114	97	44
6	150	10-1/2	267	5-3/8	137	4-3/4	121	151	68
8	200	12-5/8	321	6-1/2	165	6-25/32	172	261	118
10	250	15-3/4	400	8-3/8	213	8-1/2	216	460	209
12	300	18	457	9	229	10-9/16	268	587	266
14	350	19-3/8	492	10-3/4	273	11-15/16	303	817	371
16	400	22-1/4	565	12	305	13-1/2	343	1058	480
18	450	24-1/8	613	14-1/4	362	13-3/4	349	1011	459
20	500	26-7/8	683	14-1/2	368	16-15/16	430	1279	580
24	600	31-1/8	791	17-1/4	438	20-1/2	521	1851	840
30	750	38-1/4	972	19-7/8	505	26-1/2	673	2987	1355
36	900	44	1118	25	635	30-3/8	772	5364	2433
42	1050	48	1219	27-5/8	702	37-7/16	951	7048	3197

*Minimum companion flange bore.

Available with thru-hole bolting or threaded bolt holes.

Seat Material	Operating Temperature**	
	°F	°C
Buna-N	-20 to 250	-29 to 121
Viton	-20 to 400	-29 to 204
EPDM	-40 to 300	-40 to 149

**Subject to limitations of body material.

Applicable Standards
• Design ASME B16.5
• Design ASME B16.34
• Testing API 598
• Conforms to API 594 & 6D
• MSS SP - 6
• MSS SP - 25
• MSS SP - 55

FLOW COEFFICIENTS

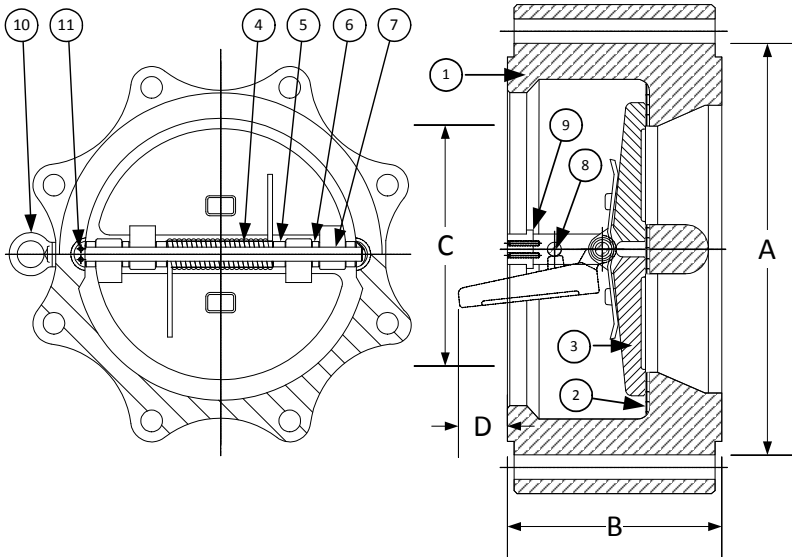
Size	2"	2-1/2"	3"	4"	5"	6"
C _v	48	98	170	290	495	720
Size	8"	10"	12"	14"	16"	18"
C _v	1800	2600	4300	5500	7200	9400
Size	20"	24"	30"	36"	42"	
C _v	12600	19000	37500	60000	89000	



TECHNICAL DATA
DIMENSIONS AND WEIGHTS

Style DL

**Retainerless Wafer Lug Body
Double Disc Check Valve, 900 lb.
Monel (ASTM A 494, Grade M35-2)**



PARTS LIST		
ITEM	DESCRIPTION	MATERIAL
1	Body	Monel (ASTM A 494, Grade M35-2)
2	Seat	Viton O-Ring
3	Disc	Monel (ASTM A 494, Grade M35-2)
4	Spring	Inconel X-750
5	Spring Plate	Stainless Steel (ASTM A 182, Grade F-316)
6	Thrust Washer	Stainless Steel (ASTM A 182, Grade F-316)
7	Hinge Pin	Stainless Steel (ASTM A 182, Grade F-316)
8	Stop Pin	Stainless Steel (ASTM A 182, Grade F-316)
9	Locating Piece	Stainless Steel (ASTM A 182, Grade F-316)
10	Lifting Lug	Carbon Steel
11	Screw	Stainless Steel (316)

Above "Standard" Product Number – DL6R-ML-ML4IX
Other Options - Reference C2 for available materials.

SIZE		DIMENSIONS						WEIGHTS	
		A		B		C*			
in	mm	in	mm	in	mm	in	mm	lbs	kgs
2	50	5-5/8	143	2-3/4	70	-	-	26	12
2-1/2	65	6-1/2	165	3-1/4	83	2	51	40	18
3	80	6-5/8	168	3-1/4	83	2-1/8	54	44	20
4	100	8-1/8	206	4	102	3-1/16	78	68	31
6	150	11-3/8	289	6-1/4	159	3-5/8	92	240	109
8	200	14-1/8	359	8-1/8	206	6-1/2	165	443	201
10	250	17-1/8	435	9-1/2	241	8-3/16	208	661	300
12	300	19-5/8	498	11-1/2	292	9-3/4	248	981	445
14	350	20-1/2	521	14	356	8-15/16	227	1241	563
16	400	22-5/8	575	15-1/8	384	11-7/32	285	2074	941
18	450	25-1/8	638	17-3/4	451	13-15/16	354	1418	643
20	500	27-1/2	699	17-3/4	451	17-1/16	433	1892	858
24	600	33	838	19-1/2	495	20-15/32	520	2786	1264

*Minimum companion flange bore.

Available with thru-hole bolting or threaded bolt holes.

Seat Material	Operating Temperature**	
	°F	°C
Buna-N	-20 to 250	-29 to 121
Viton	-20 to 400	-29 to 204
EPDM	-40 to 300	-40 to 149

**Subject to limitations of body material.

Applicable Standards
• Design ASME B16.5
• Design ASME B16.34
• Testing API 598
• Conforms to API 594 & 6D
• MSS SP - 6
• MSS SP - 25
• MSS SP - 55

FLOW COEFFICIENTS

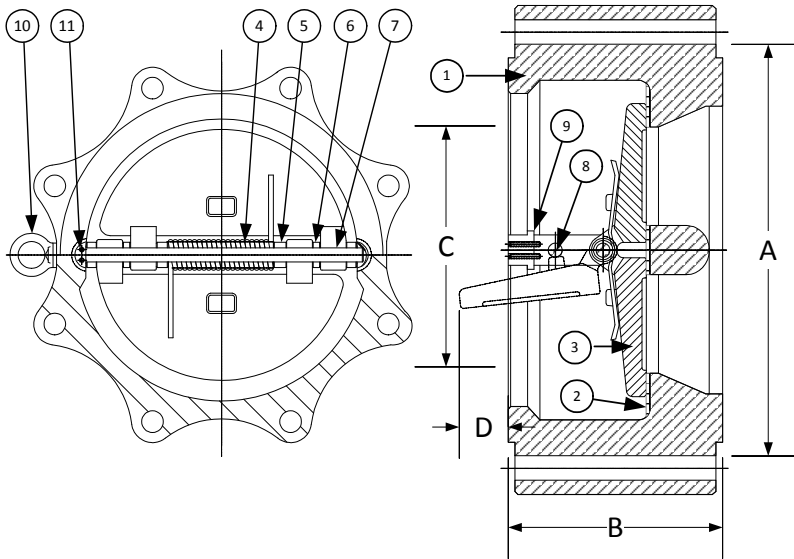
Size	2"	2-1/2"	3"	4"	5"	6"
C _v	48	98	170	290	495	720
Size	8"	10"	12"	14"	16"	18"
C _v	1800	2600	4300	5500	7200	9400
Size	20"	24"				
C _v	12600	19000				



TECHNICAL DATA
DIMENSIONS AND WEIGHTS

Style DL

**Retainerless Wafer Lug Body
Double Disc Check Valve, 1500 lb.
Monel (ASTM A 494, Grade M35-2)**



PARTS LIST

ITEM	DESCRIPTION	MATERIAL
1	Body	Monel (ASTM A 494, Grade M35-2)
2	Seat	Viton O-Ring
3	Disc	Monel (ASTM A 494, Grade M35-2)
4	Spring	Inconel X-750
5	Spring Plate	Stainless Steel (ASTM A 182, Grade F-316)
6	Thrust Washer	Stainless Steel (ASTM A 182, Grade F-316)
7	Hinge Pin	Stainless Steel (ASTM A 182, Grade F-316)
8	Stop Pin	Stainless Steel (ASTM A 182, Grade F-316)
9	Locating Piece	Stainless Steel (ASTM A 182, Grade F-316)
10	Lifting Lug	Carbon Steel
11	Screw	Stainless Steel (316)

Above "Standard" Product Number – DL7R-ML-ML4IX
Other Options - Reference C2 for available materials.

SIZE		DIMENSIONS						WEIGHTS	
		A		B		C*			
in	mm	in	mm	in	mm	in	mm	lbs	kgs
2	50	5-5/8	143	2-3/4	70	1-11/16	43	37	17
3	80	6-7/8	175	3-1/4	83	2-5/8	67	70	32
4	100	8-1/4	210	4	102	3-7/16	87	112	51
6	150	11-1/8	283	6-1/4	159	5-3/16	132	262	119
8	200	13-7/8	352	8-1/8	206	6-13/16	173	488	221
10	250	17-1/8	435	9-3/4	248	8-1/2	216	917	416
12	300	20-1/2	521	12	305	10-1/8	257	1425	646
14	350	22-3/4	578	14	356	11-1/2	292	245	928
16	400	25-1/4	641	15-1/8	384	12-13/16	325	2600	1179
18	450	27-3/4	705	18-7/16	468	13-3/4	349	3883	1761
20	500	29-3/4	756	21	533	14-3/4	348	5700	2580
24	600	35-1/2	902	22	559	15-1/8	384	7150	3236

*Minimum companion flange bore.
Available with thru-hole bolting or threaded bolt holes.

Sizes 30" and larger fit Series A flanges.

Seat Material	Operating Temperature**	
	°F	°C
Buna-N	-20 to 250	-29 to 121
Viton	-20 to 400	-29 to 204
EPDM	-40 to 300	-40 to 149

**Subject to limitations of body material.

Applicable Standards
• Design ASME B16.5
• Design ASME B16.34
• Testing API 598
• Conforms to API 594 & 6D
• MSS SP – 6
• MSS SP – 25
• MSS SP – 55

FLOW COEFFICIENTS

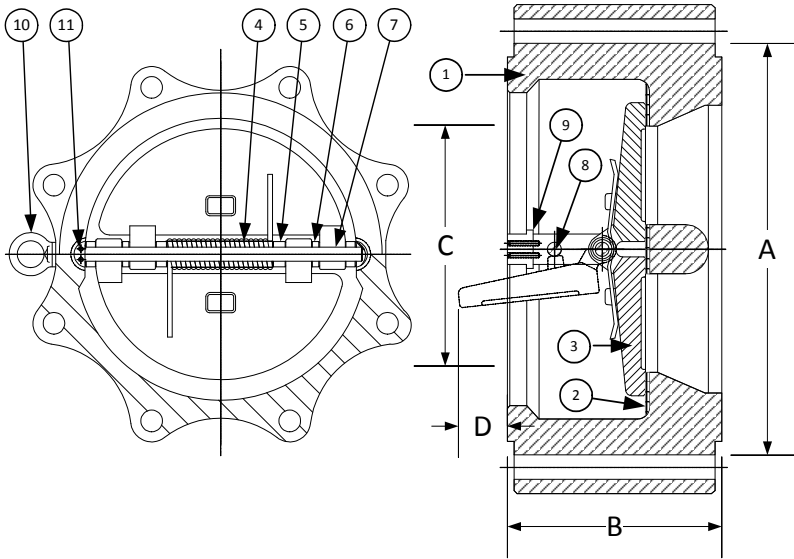
Size	2"	2½"	3"	4"	5"	6"
C _v	48	98	170	290	495	720
Size	8"	10"	12"	14"	16"	18"
C _v	1800	2600	4300	5500	7200	9400
Size	20"	24"				
C _v	12600	19000				



TECHNICAL DATA
DIMENSIONS AND WEIGHTS

Style DL

**Retainerless Wafer Lug Body
Double Disc Check Valve, 150 lb.
Duplex (ASTM A 351, Grade CD4MCu)**



PARTS LIST		
ITEM	DESCRIPTION	MATERIAL
1	Body	Duplex (ASTM A 351, Grade CD4MCu)
2	Seat	Viton O-Ring
3	Disc	Duplex (ASTM A 351, Grade CD4MCu)
4	Spring	Inconel X-750
5	Spring Plate	Stainless Steel (ASTM A 182, Grade F-316)
6	Thrust Washer	Stainless Steel (ASTM A 182, Grade F-316)
7	Hinge Pin	Stainless Steel (ASTM A 182, Grade F-316)
8	Stop Pin	Stainless Steel (ASTM A 182, Grade F-316)
9	Locating Piece	Stainless Steel (ASTM A 182, Grade F-316)
10	Lifting Lug	Carbon Steel
11	Screw	Stainless Steel (316)

Above "Standard" Product Number – DL2R-DP-DP4IX
Other Options - Reference C2 for available materials.

SIZE		DIMENSIONS						WEIGHTS	
		A		B		C*			
in	mm	in	mm	in	mm	in	mm	lbs	kgs
2	50	4-1/8	105	2-3/8	60	1-15/16	49	18	8
2-1/2	65	4-7/8	124	2-5/8	67	2-11/32	60	22	10
3	80	5-3/8	137	2-7/8	73	2-29/32	74	30	14
4	100	6-7/8	175	2-7/8	73	3-53/64	97	44	20
5	125	7-3/4	197	3-3/8	86	4-13/16	122	51	23
6	150	8-3/4	222	3-7/8	98	5-49/64	146	84	38
8	200	11	279	5	127	7-1/2	191	91	41
10	250	13-3/8	340	5-3/4	146	9-7/16	240	156	71
12	300	16-1/8	410	7-1/8	181	11-1/4	286	252	114
14	350	17-3/4	441	7-1/4	184	12-5/8	321	291	132
16	400	20-1/4	514	7-1/2	191	14-11/16	373	464	210
18	450	21-5/8	549	8	203	16-9/16	421	431	195
20	500	23-7/8	606	8-5/8	219	18-7/16	468	501	227
24	600	28-1/4	718	8-3/4	222	21-5/8	549	682	309
30	750	34-3/4	883	12	305	28-7/16	722	1321	599
36	900	41-1/4	1048	14-1/2	368	34-3/8	873	1898	861
42	1050	48	1219	17	432	40-9/16	1030	3236	1468
48	1200	54-1/2	1384	20-5/8	524	44-3/16	1122	4899	2222

*Minimum companion flange bore.

Available with thru-hole bolting or threaded bolt holes.

Seat Material	Operating Temperature**	
	°F	°C
Buna-N	-20 to 250	-29 to 121
Viton	-20 to 400	-29 to 204
EPDM	-40 to 300	-40 to 149

**Subject to limitations of body material.

Applicable Standards
• Design ASME B16.5
• Design ASME B16.34
• Testing API 598
• Conforms to API 594 & 6D
• MSS SP – 6
• MSS SP – 25
• MSS SP – 55

FLOW COEFFICIENTS

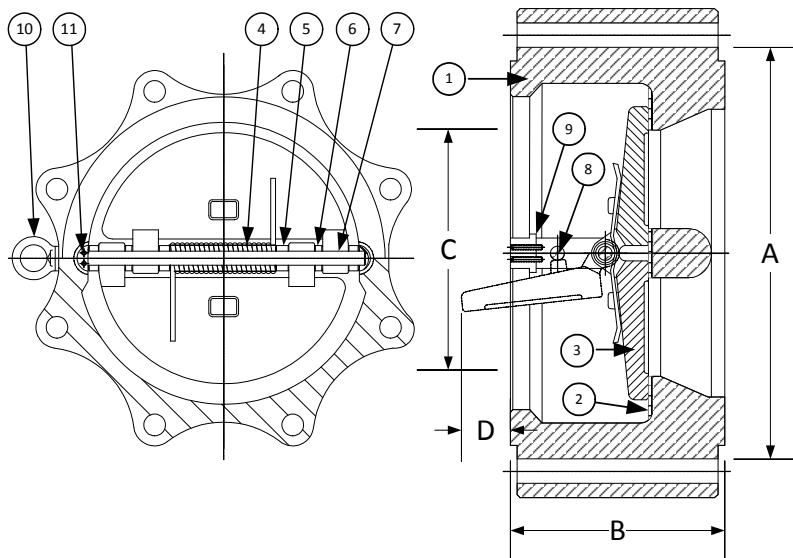
Size	2"	2-1/2"	3"	4"	5"	6"
C _v	48	98	170	290	495	720
Size	8"	10"	12"	14"	16"	18"
C _v	1800	2600	4300	5500	7200	9400
Size	20"	24"	30"	36"	42"	48"
C _v	12600	19000	37500	60000	89000	124000



TECHNICAL DATA
DIMENSIONS AND WEIGHTS

Style DL

**Retainerless Wafer Lug Body
Double Disc Check Valve, 300 lb.
Duplex (ASTM A 351, Grade CD4MCu)**



PARTS LIST

ITEM	DESCRIPTION	MATERIAL
1	Body	Duplex (ASTM A 351, Grade CD4MCu)
2	Seat	Viton O-Ring
3	Disc	Duplex (ASTM A 351, Grade CD4MCu)
4	Spring	Inconel X-750
5	Spring Plate	Stainless Steel (ASTM A 182, Grade F-316)
6	Thrust Washer	Stainless Steel (ASTM A 182, Grade F-316)
7	Hinge Pin	Stainless Steel (ASTM A 182, Grade F-316)
8	Stop Pin	Stainless Steel (ASTM A 182, Grade F-316)
9	Locating Piece	Stainless Steel (ASTM A 182, Grade F-316)
10	Lifting Lug	Carbon Steel
11	Screw	Stainless Steel (316)

Above "Standard" Product Number – DL4R-DP-DP4IX
Other Options - Reference C2 for available materials.

SIZE		DIMENSIONS						WEIGHTS	
		A		B		C*			
in	mm	in	mm	in	mm	in	mm	lbs	kgs
2	50	4-3/8	111	2-3/8	60	1-15/16	49	18	8
2-1/2	65	5-1/8	130	2-5/8	67	2-11/32	60	22	10
3	80	5-7/8	149	2-7/8	73	2-29/32	74	30	14
4	100	7-1/8	181	2-7/8	73	3-53/64	97	44	20
5	125	8-1/2	216	3-3/8	86	4-13/16	122	51	23
6	150	9-7/8	251	3-7/8	98	5-49/64	146	84	38
8	200	12-1/8	308	5	127	7-5/8	194	163	74
10	250	14-1/4	362	5-3/4	146	9-9/16	243	270	123
12	300	16-5/8	422	7-1/8	181	11-1/4	286	361	164
14	350	19-1/8	486	8-3/4	222	12-7/16	316	543	246
16	400	21-1/4	540	9-1/8	232	14-1/2	368	792	359
18	450	23-1/2	597	10-3/8	264	16-3/8	416	790	358
20	500	25-3/4	654	11-1/2	292	18-1/16	459	780	354
24	600	30-1/2	775	12-1/2	318	20-11/16	525	1011	459
30	750	37-1/2	953	14-1/2	368	27-5/8	702	1974	895
36	900	44	1118	19	483	33-1/2	851	3926	1781
42	1050	45-7/8	1165	22-3/8	568	39-1/2	1003	4830	2191
48	1200	52-1/2	1334	24-3/4	629	42-1/4	1073	6653	3018

*Minimum companion flange bore.

Available with thru-hole bolting or threaded bolt holes.

Seat Material	Operating Temperature**	
	°F	°C
Buna-N	-20 to 250	-29 to 121
Viton	-20 to 400	-29 to 204
EPDM	-40 to 300	-40 to 149

Applicable Standards
• Design ASME B16.5
• Design ASME B16.34
• Testing API 598
• Conforms to API 594 & 6D
• MSS SP - 6
• MSS SP - 25
• MSS SP - 55

**Subject to limitations of body material.

FLOW COEFFICIENTS

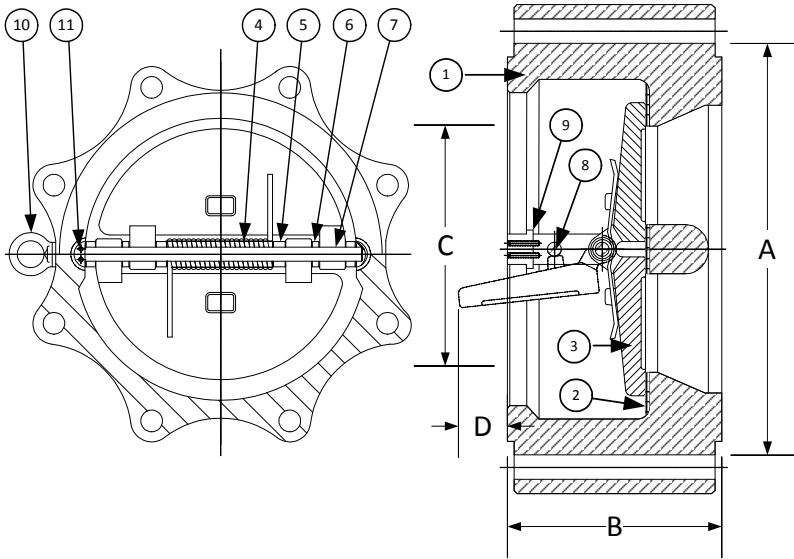
Size	2"	2-1/2"	3"	4"	5"	6"
C _v	48	98	170	290	495	720
Size	8"	10"	12"	14"	16"	18"
C _v	1800	2600	4300	5500	7200	9400
Size	20"	24"	30"	36"	42"	48"
C _v	12600	19000	37500	60000	89000	124000



TECHNICAL DATA
DIMENSIONS AND WEIGHTS

Style DL

**Retainerless Wafer Lug Body
Double Disc Check Valve, 600 lb.
Duplex (ASTM A 351, Grade CD4MCu)**



PARTS LIST		
ITEM	DESCRIPTION	MATERIAL
1	Body	Duplex (ASTM A 351, Grade CD4MCu)
2	Seat	Viton O-Ring
3	Disc	Duplex (ASTM A 351, Grade CD4MCu)
4	Spring	Inconel X-750
5	Spring Plate	Stainless Steel (ASTM A 182, Grade F-316)
6	Thrust Washer	Stainless Steel (ASTM A 182, Grade F-316)
7	Hinge Pin	Stainless Steel (ASTM A 182, Grade F-316)
8	Stop Pin	Stainless Steel (ASTM A 182, Grade F-316)
9	Locating Piece	Stainless Steel (ASTM A 182, Grade F-316)
10	Lifting Lug	Carbon Steel
11	Screw	Stainless Steel (316)

Above "Standard" Product Number - DL5R-DP-DP4IX
Other Options - Reference C2 for available materials.

SIZE		DIMENSIONS						WEIGHTS	
		A		B		C*			
in	mm	in	mm	in	mm	in	mm	lbs	kgs
2	50	4-3/8	111	2-3/8	60	1-3/16	30	18	8
2-1/2	65	5-1/8	130	2-5/8	67	2-1/8	54	27	12
3	80	5-7/8	149	2-7/8	73	2-3/16	56	27	12
4	100	7-5/8	194	3-1/8	79	3-5/16	84	51	23
5	125	9-1/2	241	4-1/8	105	4-1/2	114	97	44
6	150	10-1/2	267	5-3/8	137	4-3/4	121	151	68
8	200	12-5/8	321	6-1/2	165	6-25/32	172	261	118
10	250	15-3/4	400	8-3/8	213	8-1/2	216	460	209
12	300	18	457	9	229	10-9/16	268	587	266
14	350	19-3/8	492	10-3/4	273	11-15/16	303	817	371
16	400	22-1/4	565	12	305	13-1/2	343	1058	480
18	450	24-1/8	613	14-1/4	362	13-3/4	349	1011	459
20	500	26-7/8	683	14-1/2	368	16-15/16	430	1279	580
24	600	31-1/8	791	17-1/4	438	20-1/2	521	1851	840
30	750	38-1/4	972	19-7/8	505	26-1/2	673	2987	1355
36	900	44	1118	25	635	30-3/8	772	5364	2433
42	1050	48	1219	27-5/8	702	37-7/16	951	7048	3197

*Minimum companion flange bore.

Available with thru-hole bolting or threaded bolt holes.

Seat Material	Operating Temperature**	
	°F	°C
Buna-N	-20 to 250	-29 to 121
Viton	-20 to 400	-29 to 204
EPDM	-40 to 300	-40 to 149

**Subject to limitations of body material.

Applicable Standards
• Design ASME B16.5
• Design ASME B16.34
• Testing API 598
• Conforms to API 594 & 6D
• MSS SP - 6
• MSS SP - 25
• MSS SP - 55

FLOW COEFFICIENTS

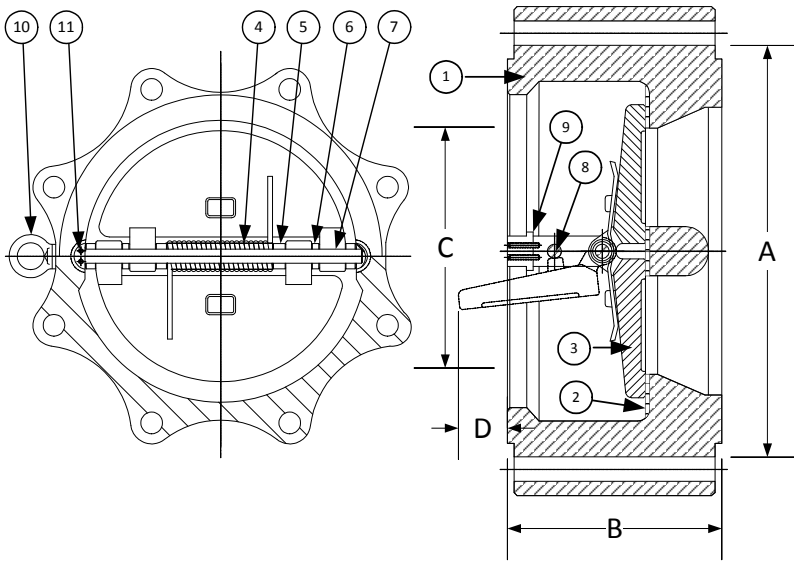
Size	2"	2-1/2"	3"	4"	5"	6"
C _v	48	98	170	290	495	720
Size	8"	10"	12"	14"	16"	18"
C _v	1800	2600	4300	5500	7200	9400
Size	20"	24"	30"	36"	42"	
C _v	12600	19000	37500	60000	89000	



TECHNICAL DATA
DIMENSIONS AND WEIGHTS

Style DL

**Retainerless Wafer Lug Body
Double Disc Check Valve, 900 lb.
Duplex (ASTM A 351, Grade CD4MCu)**



PARTS LIST		
ITEM	DESCRIPTION	MATERIAL
1	Body	Duplex (ASTM A 351, Grade CD4MCu)
2	Seat	Viton O-Ring
3	Disc	Duplex (ASTM A 351, Grade CD4MCu)
4	Spring	Inconel X-750
5	Spring Plate	Stainless Steel (ASTM A 182, Grade F-316)
6	Thrust Washer	Stainless Steel (ASTM A 182, Grade F-316)
7	Hinge Pin	Stainless Steel (ASTM A 182, Grade F-316)
8	Stop Pin	Stainless Steel (ASTM A 182, Grade F-316)
9	Locating Piece	Stainless Steel (ASTM A 182, Grade F-316)
10	Lifting Lug	Carbon Steel
11	Screw	Stainless Steel (316)

Above "Standard" Product Number – DL6R-DP-DP4IX
Other Options - Reference C2 for available materials.

SIZE		DIMENSIONS						WEIGHTS	
		A		B		C*			
in	mm	in	mm	in	mm	in	mm	lbs	kgs
2	50	5-5/8	143	2-3/4	70	-	-	26	12
2-1/2	65	6-1/2	165	3-1/4	83	2	51	40	18
3	80	6-5/8	168	3-1/4	83	2-1/8	54	44	20
4	100	8-1/8	206	4	102	3-1/16	78	68	31
6	150	11-3/8	289	6-1/4	159	3-5/8	92	240	109
8	200	14-1/8	359	8-1/8	206	6-1/2	165	443	201
10	250	17-1/8	435	9-1/2	241	8-3/16	208	661	300
12	300	19-5/8	498	11-1/2	292	9-3/4	248	981	445
14	350	20-1/2	521	14	356	8-15/16	227	1241	563
16	400	22-5/8	575	15-1/8	384	11-7/32	285	2074	941
18	450	25-1/8	638	17-3/4	451	13-15/16	354	1418	643
20	500	27-1/2	699	17-3/4	451	17-1/16	433	1892	858
24	600	33	838	19-1/2	495	20-15/32	520	2786	1264

*Minimum companion flange bore.

Available with thru-hole bolting or threaded bolt holes.

Seat Material	Operating Temperature**	
	°F	°C
Buna-N	-20 to 250	-29 to 121
Viton	-20 to 400	-29 to 204
EPDM	-40 to 300	-40 to 149

**Subject to limitations of body material.

Applicable Standards
• Design ASME B16.5
• Design ASME B16.34
• Testing API 598
• Conforms to API 594 & 6D
• MSS SP - 6
• MSS SP - 25
• MSS SP - 55

FLOW COEFFICIENTS

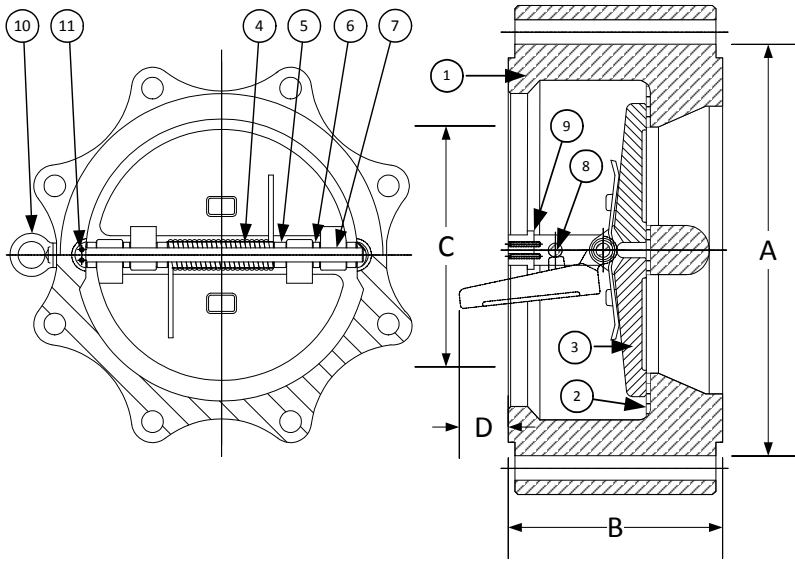
Size	2"	2-1/2"	3"	4"	5"	6"
C _v	48	98	170	290	495	720
Size	8"	10"	12"	14"	16"	18"
C _v	1800	2600	4300	5500	7200	9400
Size	20"	24"				
C _v	12600	19000				



TECHNICAL DATA
DIMENSIONS AND WEIGHTS

Style DL

**Retainerless Wafer Lug Body
Double Disc Check Valve, 1500 lb.
Duplex (ASTM A 351, Grade CD4MCu)**



PARTS LIST		
ITEM	DESCRIPTION	MATERIAL
1	Body	Duplex (ASTM A 351, Grade CD4MCu)
2	Seat	Viton O-Ring
3	Disc	Duplex (ASTM A 351, Grade CD4MCu)
4	Spring	Inconel X-750
5	Spring Plate	Stainless Steel (ASTM A 182, Grade F-316)
6	Thrust Washer	Stainless Steel (ASTM A 182, Grade F-316)
7	Hinge Pin	Stainless Steel (ASTM A 182, Grade F-316)
8	Stop Pin	Stainless Steel (ASTM A 182, Grade F-316)
9	Locating Piece	Stainless Steel (ASTM A 182, Grade F-316)
10	Lifting Lug	Carbon Steel
11	Screw	Stainless Steel (316)

Above "Standard" Product Number - DL7R-DP-DP4IX
Other Options - Reference C2 for available materials.

SIZE		DIMENSIONS						WEIGHTS	
		A		B		C*			
in	mm	in	mm	in	mm	in	mm	lbs	kgs
2	50	5-5/8	143	2-3/4	70	1-11/16	43	37	17
3	80	6-7/8	175	3-1/4	83	2-5/8	67	70	32
4	100	8-1/4	210	4	102	3-7/16	87	112	51
6	150	11-1/8	283	6-1/4	159	5-3/16	132	262	119
8	200	13-7/8	352	8-1/8	206	6-13/16	173	488	221
10	250	17-1/8	435	9-3/4	248	8-1/2	216	917	416
12	300	20-1/2	521	12	305	10-1/8	257	1425	646
14	350	22-3/4	578	14	356	11-1/2	292	245	928
16	400	25-1/4	641	15-1/8	384	12-13/16	325	2600	1179
18	450	27-3/4	705	18-7/16	468	13-3/4	349	3883	1761
20	500	29-3/4	756	21	533	14-3/4	348	5700	2580
24	600	35-1/2	902	22	559	15-1/8	384	7150	3236

*Minimum companion flange bore.

Available with thru-hole bolting or threaded bolt holes.

Sizes 30" and larger fit Series A flanges.

Seat Material	Operating Temperature**	
	°F	°C
Buna-N	-20 to 250	-29 to 121
Viton	-20 to 400	-29 to 204
EPDM	-40 to 300	-40 to 149

**Subject to limitations of body material.

Applicable Standards
• Design ASME B16.5
• Design ASME B16.34
• Testing API 598
• Conforms to API 594 & 6D
• MSS SP - 6
• MSS SP - 25
• MSS SP - 55

FLOW COEFFICIENTS

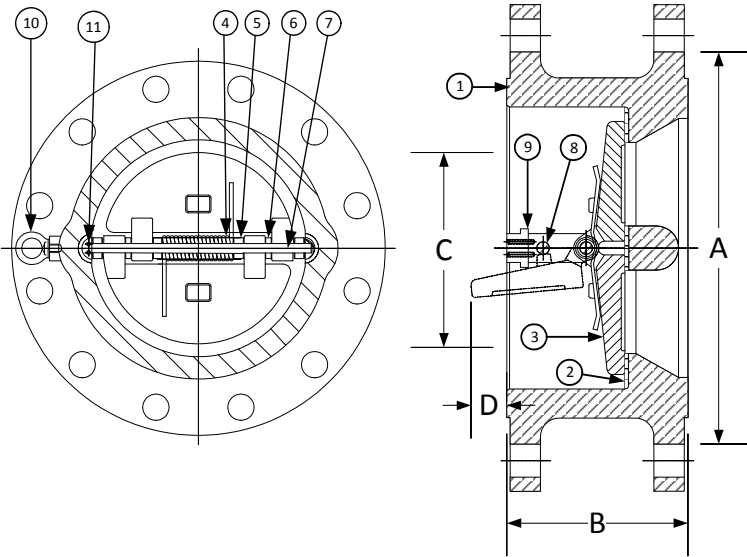
Size	2"	2½"	3"	4"	5"	6"
C _v	48	98	170	290	495	720
Size	8"	10"	12"	14"	16"	18"
C _v	1800	2600	4300	5500	7200	9400
Size	20"	24"				
C _v	12600	19000				



TECHNICAL DATA
DIMENSIONS AND WEIGHTS

Style DF

**Retainerless Wafer Double Flange Body
Double Disc Check Valve, 150 lb.
Low Carbon Steel (ASTM A 352, Grade LCB)**



PARTS LIST

ITEM	DESCRIPTION	MATERIAL
1	Body	Low Carbon Steel (ASTM A 352, Grade LCB)
2	Seat	Buna-N O-Ring
3	Disc	Low Carbon Steel (ASTM A 352, Grade LCB)
4	Spring	Inconel X-750
5	Spring Plate	Stainless Steel (ASTM A 182, Grade F-316)
6	Thrust Washer	Stainless Steel (ASTM A 182, Grade F-316)
7	Hinge Pin	Stainless Steel (ASTM A 182, Grade F-316)
8	Stop Pin	Stainless Steel (ASTM A 182, Grade F-316)
9	Locating Piece	Stainless Steel (ASTM A 182, Grade F-316)
10	Lifting Lug	Carbon Steel
11	Screw	Stainless Steel (316)

Above "Standard" Product Number – DF2R-LC-LC11X
Other Options - Reference C2 for available materials.

SIZE		DIMENSIONS						WEIGHTS	
		A		B		C*			
in	mm	in	mm	in	mm	in	mm	lbs	kgs
8	200	11	279	5	127	7-5/8	194	93	42
10	250	13-3/8	340	5-3/4	146	9-9/16	243	189	86
12	300	16-1/8	410	7-1/8	181	11-3/8	289	308	140
14	350	17-3/4	451	7-1/4	184	12-1/2	318	352	160
16	400	20-1/4	514	7-1/2	191	15	381	496	225
18	450	21-5/8	549	8	203	16-7/8	428	551	250
20	500	23-7/8	606	8-5/8	219	8-7/8	480	661	300
24	600	28-1/4	718	8-3/4	222	22-5/8	575	860	389
30	750	34-3/4	883	12	305	29-1/4	743	1512	687
36	900	41-1/4	1048	14-1/2	368	35	889	2525	1145
42	1050	48	1219	17	432	41	1041	4163	1888
48	1200	54-1/2	1384	20-5/8	524	47	1194	5880	2667

*Minimum companion flange bore.
Available with thru-hole bolting or threaded bolt holes.

Sizes 30" and larger fit Series A flanges.

Seat Material	Operating Temperature**	
	°F	°C
Buna-N	-20 to 250	-29 to 121
Viton	-20 to 400	-29 to 204
EPDM	-40 to 300	-40 to 149

**Subject to limitations of body material.

Applicable Standards
• Design ASME B16.5
• Design ASME B16.34
• Testing API 598
• Conforms to API 594 & 6D
• MSS SP - 6
• MSS SP - 25
• MSS SP - 55

FLOW COEFFICIENTS

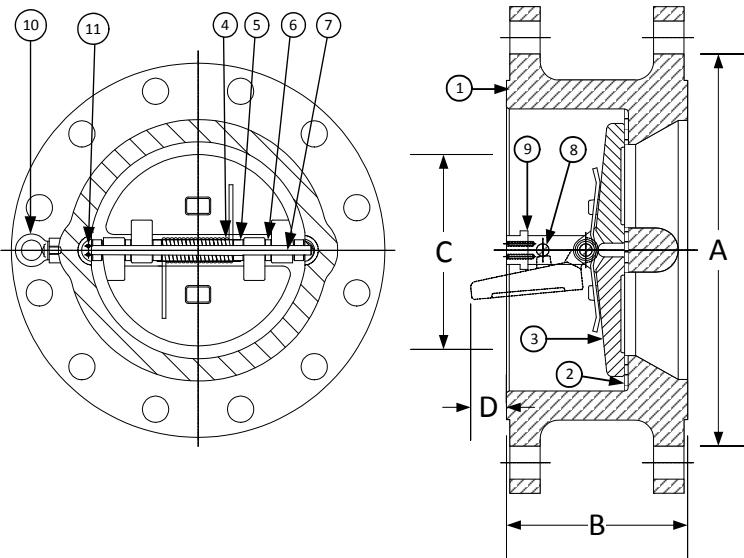
Size	8"	10"	12"	14"	16"	18"
C _v	1800	2600	4300	5500	7200	9400
Size	20"	24"	30"	36"	42"	48"
C _v	12600	19000	37500	60000	89000	124000



TECHNICAL DATA
DIMENSIONS AND WEIGHTS

Style DF

**Retainerless Wafer Double Flange Body
Double Disc Check Valve, 300 lb.
Low Carbon Steel (ASTM A 352, Grade LCB)**



PARTS LIST		
ITEM	DESCRIPTION	MATERIAL
1	Body	Low Carbon Steel (ASTM A 352, Grade LCB)
2	Seat	Buna-N O-Ring
3	Disc	Low Carbon Steel (ASTM A 352, Grade LCB)
4	Spring	Inconel X-750
5	Spring Plate	Stainless Steel (ASTM A 182, Grade F-316)
6	Thrust Washer	Stainless Steel (ASTM A 182, Grade F-316)
7	Hinge Pin	Stainless Steel (ASTM A 182, Grade F-316)
8	Stop Pin	Stainless Steel (ASTM A 182, Grade F-316)
9	Locating Piece	Stainless Steel (ASTM A 182, Grade F-316)
10	Lifting Lug	Carbon Steel
11	Screw	Stainless Steel (316)

Above "Standard" Product Number - DF4R-LC-LC1IX

Other Options - Reference C2 for available materials.

SIZE		DIMENSIONS						WEIGHTS	
		A		B		C*			
in	mm	in	mm	in	mm	in	mm	lbs	kgs
8	200	12-1/8	308	5	127	7-1/2	191	151	68
10	250	14-1/4	362	5-3/4	146	9-7/16	240	251	114
12	300	16-5/8	422	7-1/8	181	11-3/8	289	465	211
14	350	19-1/8	486	8-3/4	222	12-1/2	318	593	269
16	400	21-1/4	540	9-1/8	232	14-3/8	365	771	350
18	450	23-1/2	597	10-3/8	264	16-1/8	409	970	440
20	500	25-3/4	654	11-1/2	292	17-7/8	454	1078	488
24	600	30-1/2	775	12-1/2	318	22-1/8	562	1516	686
30	750	37-1/2	953	14-1/2	368	28-3/4	730	3100	1406
36	900	44	1118	19	483	35	864	4650	2109
42	1050	45-7/8	1289	22-3/8	568	41	1041	8670	3932
48	1200	52-1/8	1492	24-3/4	629	47	1193	9950	4513

*Minimum companion flange bore.

Available with thru-hole bolting or threaded bolt holes.

Sizes 30" and larger fit Series A flanges.

Seat Material	Operating Temperature**	
	°F	°C
Buna-N	-20 to 250	-29 to 121
Viton	-20 to 400	-29 to 204
EPDM	-40 to 300	-40 to 149

**Subject to limitations of body material.

Applicable Standards
• Design ASME B16.5
• Design ASME B16.34
• Testing API 598
• Conforms to API 594 & 6D
• MSS SP - 6
• MSS SP - 25
• MSS SP - 55

FLOW COEFFICIENTS

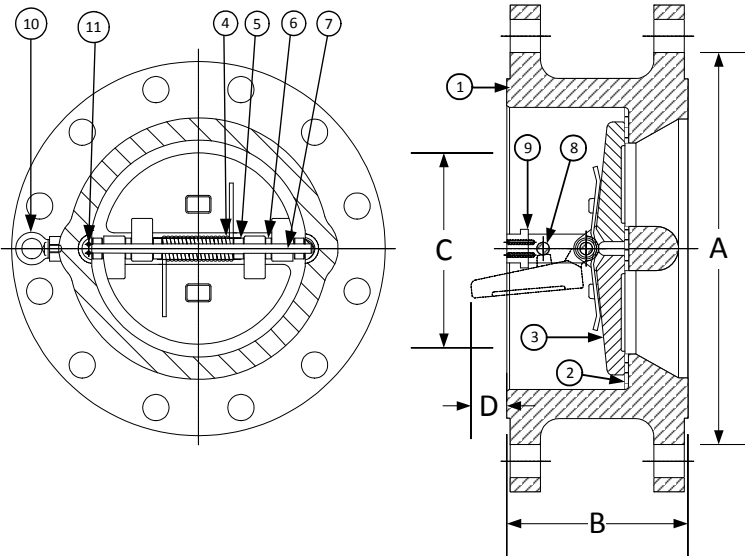
Size	8"	10"	12"	14"	16"	18"
C _v	1800	2600	4300	5500	7200	9400
Size	20"	24"	30"	36"	42"	48"
C _v	12600	19000	37500	60000	89000	124000



TECHNICAL DATA
DIMENSIONS AND WEIGHTS

Style DF

**Retainerless Wafer Double Flange Body
Double Disc Check Valve, 600 lb.
Low Carbon Steel (ASTM A 352, Grade LCB)**



PARTS LIST

ITEM	DESCRIPTION	MATERIAL
1	Body	Low Carbon Steel (ASTM A 352, Grade LCB)
2	Seat	Buna-N O-Ring
3	Disc	Low Carbon Steel (ASTM A 352, Grade LCB)
4	Spring	Inconel X-750
5	Spring Plate	Stainless Steel (ASTM A 182, Grade F-316)
6	Thrust Washer	Stainless Steel (ASTM A 182, Grade F-316)
7	Hinge Pin	Stainless Steel (ASTM A 182, Grade F-316)
8	Stop Pin	Stainless Steel (ASTM A 182, Grade F-316)
9	Locating Piece	Stainless Steel (ASTM A 182, Grade F-316)
10	Lifting Lug	Carbon Steel
11	Screw	Stainless Steel (316)

Above "Standard" Product Number – DF5R-LC-LC11X
Other Options - Reference C2 for available materials.

SIZE		DIMENSIONS						WEIGHTS	
		A		B		C*			
in	mm	in	mm	in	mm	in	mm	lbs	kgs
12	300	18	457	9	229	11-3/8	289	612	277
14	350	19-3/8	492	10-3/4	273	12-1/2	318	826	375
16	400	22-1/4	565	12	305	14-3/8	365	951	430
18	450	24-1/8	613	14-1/4	362	16-1/8	409	1433	650
20	500	26-7/8	683	14-1/2	368	18	457	1763	800
24	600	31-1/8	791	17-1/4	438	21-9/16	548	2755	1250
30	750	38-1/4	972	19-7/8	505	28-3/4	730	5070	2300
36	900	44-1/2	1130	25	635	33-3/4	857	7605	3450
42	1050	48	1219	27-37-64	701	39-1/2	1003	9985	4529
48	1200	-	-	31	787	36	914	12600	5715

*Minimum companion flange bore.
Available with thru-hole bolting or threaded bolt holes.

Sizes 30" and larger fit Series A flanges.

Seat Material	Operating Temperature**	
	°F	°C
Buna-N	-20 to 250	-29 to 121
Viton	-20 to 400	-29 to 204
EPDM	-40 to 300	-40 to 149

**Subject to limitations of body material.

Applicable Standards
• Design ASME B16.5
• Design ASME B16.34
• Testing API 598
• Conforms to API 594 & 6D
• MSS SP – 6
• MSS SP – 25
• MSS SP – 55

FLOW COEFFICIENTS

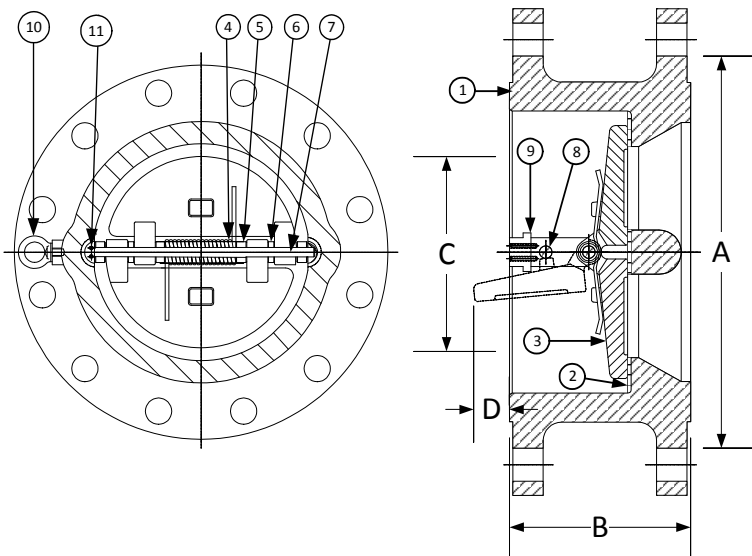
Size	12"	14"	16"	18"	20"	24"
C _v	4300	5500	7200	9400	12600	19000
Size	30"	36"	42"	48"		
C _v	37500	60000	89000	12400		



TECHNICAL DATA
DIMENSIONS AND WEIGHTS

Style DF

**Retainerless Wafer Double Flange Body
Double Disc Check Valve, 900 lb.
Low Carbon Steel (ASTM A 352, Grade LCB)**



PARTS LIST		
ITEM	DESCRIPTION	MATERIAL
1	Body	Low Carbon Steel (ASTM A 352, Grade LCB)
2	Seat	Buna-N O-Ring
3	Disc	Low Carbon Steel (ASTM A 352, Grade LCB)
4	Spring	Inconel X-750
5	Spring Plate	Stainless Steel (ASTM A 182, Grade F-316)
6	Thrust Washer	Stainless Steel (ASTM A 182, Grade F-316)
7	Hinge Pin	Stainless Steel (ASTM A 182, Grade F-316)
8	Stop Pin	Stainless Steel (ASTM A 182, Grade F-316)
9	Locating Piece	Stainless Steel (ASTM A 182, Grade F-316)
10	Lifting Lug	Carbon Steel
11	Screw	Stainless Steel (316)

Above "Standard" Product Number - **DF6R-LC-LC1IX**
Other Options - Reference **C2** for available materials.

SIZE		DIMENSIONS						WEIGHTS	
		A		B		C*			
in	mm	in	mm	in	mm	in	mm	lbs	kgs
12	300	19-5/8	498	11-1/2	292	10-1/8	257	770	349
14	350	20-1/2	521	14	356	11-1/2	292	1240	561
16	400	22-5/8	575	15-1/8	384	12-7/8	327	1653	750
18	450	25-1/8	638	17-3/4	451	14-1/2	368	2314	1050
20	500	27-1/2	699	17-3/4	451	18	457	2866	1300
24	600	33	838	19-1/2	495	21-1/2	546	4175	1893

*Minimum companion flange bore.

Sizes 30" and larger fit Series A flanges.

Available with thru-hole bolting or threaded bolt holes.

Seat Material	Operating Temperature**	
	°F	°C
Buna-N	-20 to 250	-29 to 121
Viton	-20 to 400	-29 to 204
EPDM	-40 to 300	-40 to 149

**Subject to limitations of body material.

Applicable Standards
• Design ASME B16.5
• Design ASME B16.34
• Testing API 598
• Conforms to API 594 & 6D
• MSS SP - 6
• MSS SP - 25
• MSS SP - 55

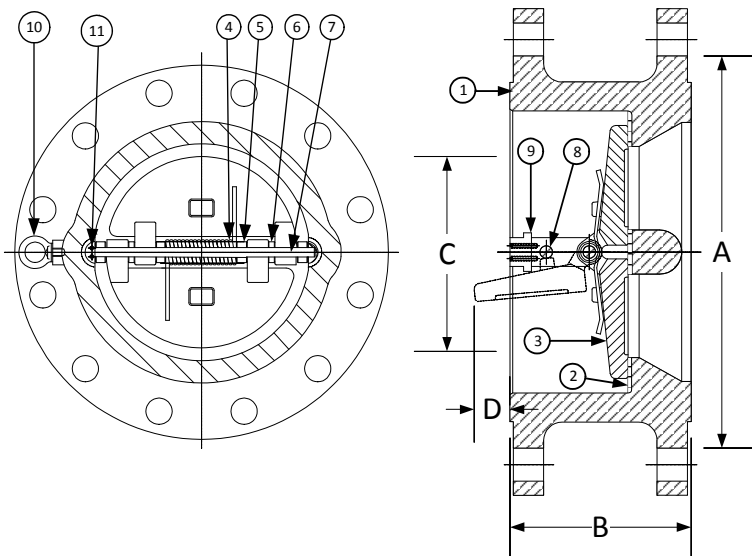
Size	FLOW COEFFICIENTS					
	12"	14"	16"	18"	20"	24"
C _v	4300	5500	7200	9400	12600	19000



TECHNICAL DATA
DIMENSIONS AND WEIGHTS

Style DF

**Retainerless Wafer Double Flange Body
Double Disc Check Valve, 150 lb.
Alloy 20 (ASTM A 351, Grade CN7M)**



PARTS LIST		
ITEM	DESCRIPTION	MATERIAL
1	Body	Alloy 20 (ASTM A 351, Grade CN7M)
2	Seat	Viton O-Ring
3	Disc	Alloy 20 (ASTM A 351, Grade CN7M)
4	Spring	Inconel X-750
5	Spring Plate	Stainless Steel (ASTM A 182, Grade F-316)
6	Thrust Washer	Stainless Steel (ASTM A 182, Grade F-316)
7	Hinge Pin	Stainless Steel (ASTM A 182, Grade F-316)
8	Stop Pin	Stainless Steel (ASTM A 182, Grade F-316)
9	Locating Piece	Stainless Steel (ASTM A 182, Grade F-316)
10	Lifting Lug	Carbon Steel
11	Screw	Stainless Steel (316)

Above "Standard" Product Number – DF2R-A2-A24IX
Other Options - Reference C2 for available materials.

SIZE		DIMENSIONS						WEIGHTS	
		A		B		C*			
in	mm	in	mm	in	mm	in	mm	lbs	kgs
8	200	11	279	5	127	7-5/8	194	93	42
10	250	13-3/8	340	5-3/4	146	9-9/16	243	189	86
12	300	16-1/8	410	7-1/8	181	11-3/8	289	308	140
14	350	17-3/4	451	7-1/4	184	12-1/2	318	352	160
16	400	20-1/4	514	7-1/2	191	15	381	496	225
18	450	21-5/8	549	8	203	16-7/8	428	551	250
20	500	23-7/8	606	8-5/8	219	8-7/8	480	661	300
24	600	28-1/4	718	8-3/4	222	22-5/8	575	860	389
30	750	34-3/4	883	12	305	29-1/4	743	1512	687
36	900	41-1/4	1048	14-1/2	368	35	889	2525	1145
42	1050	48	1219	17	432	41	1041	4163	1888
48	1200	54-1/2	1384	20-5/8	524	47	1194	5880	2667

*Minimum companion flange bore.
Available with thru-hole bolting or threaded bolt holes.

Sizes 30" and larger fit Series A flanges.

Seat Material	Operating Temperature**	
	°F	°C
Buna-N	-20 to 250	-29 to 121
Viton	-20 to 400	-29 to 204
EPDM	-40 to 300	-40 to 149

**Subject to limitations of body material.

Applicable Standards
• Design ASME B16.5
• Design ASME B16.34
• Testing API 598
• Conforms to API 594 & 6D
• MSS SP - 6
• MSS SP - 25
• MSS SP - 55

FLOW COEFFICIENTS

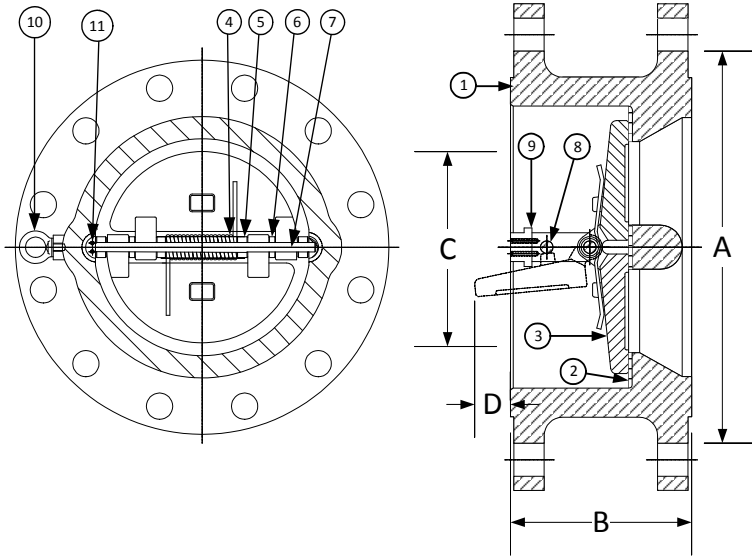
Size	8"	10"	12"	14"	16"	18"
C _v	1800	2600	4300	5500	7200	9400
Size	20"	24"	30"	36"	42"	48"
C _v	12600	19000	37500	60000	89000	124000



TECHNICAL DATA
DIMENSIONS AND WEIGHTS

Style DF

**Retainerless Wafer Double Flange Body
Double Disc Check Valve, 300 lb.
Alloy 20 (ASTM A 351, Grade CN7M)**



PARTS LIST		
ITEM	DESCRIPTION	MATERIAL
1	Body	Alloy 20 (ASTM A 351, Grade CN7M)
2	Seat	Viton O-Ring
3	Disc	Alloy 20 (ASTM A 351, Grade CN7M)
4	Spring	Inconel X-750
5	Spring Plate	Stainless Steel (ASTM A 182, Grade F-316)
6	Thrust Washer	Stainless Steel (ASTM A 182, Grade F-316)
7	Hinge Pin	Stainless Steel (ASTM A 182, Grade F-316)
8	Stop Pin	Stainless Steel (ASTM A 182, Grade F-316)
9	Locating Piece	Stainless Steel (ASTM A 182, Grade F-316)
10	Lifting Lug	Carbon Steel
11	Screw	Stainless Steel (316)

Above "Standard" Product Number - DF4R-A2-A24IX
Other Options - Reference C2 for available materials.

SIZE		DIMENSIONS						WEIGHTS	
		A		B		C*			
in	mm	in	mm	in	mm	in	mm	lbs	kgs
8	200	12-1/8	308	5	127	7-1/2	191	151	68
10	250	14-1/4	362	5-3/4	146	9-7/16	240	251	114
12	300	16-5/8	422	7-1/8	181	11-3/8	289	465	211
14	350	19-1/8	486	8-3/4	222	12-1/2	318	593	269
16	400	21-1/4	540	9-1/8	232	14-3/8	365	771	350
18	450	23-1/2	597	10-3/8	264	16-1/8	409	970	440
20	500	25-3/4	654	11-1/2	292	17-7/8	454	1078	488
24	600	30-1/2	775	12-1/2	318	22-1/8	562	1516	686
30	750	37-1/2	953	14-1/2	368	28-3/4	730	3100	1406
36	900	44	1118	19	483	35	864	4650	2109
42	1050	45-7/8	1289	22-3/8	568	41	1041	8670	3932
48	1200	52-1/8	1492	24-3/4	629	47	1193	9950	4513

*Minimum companion flange bore.

Available with thru-hole bolting or threaded bolt holes.

Sizes 30" and larger fit Series A flanges.

Seat Material	Operating Temperature**	
	°F	°C
Buna-N	-20 to 250	-29 to 121
Viton	-20 to 400	-29 to 204
EPDM	-40 to 300	-40 to 149

**Subject to limitations of body material.

Applicable Standards
• Design ASME B16.5
• Design ASME B16.34
• Testing API 598
• Conforms to API 594 & 6D
• MSS SP - 6
• MSS SP - 25
• MSS SP - 55

FLOW COEFFICIENTS

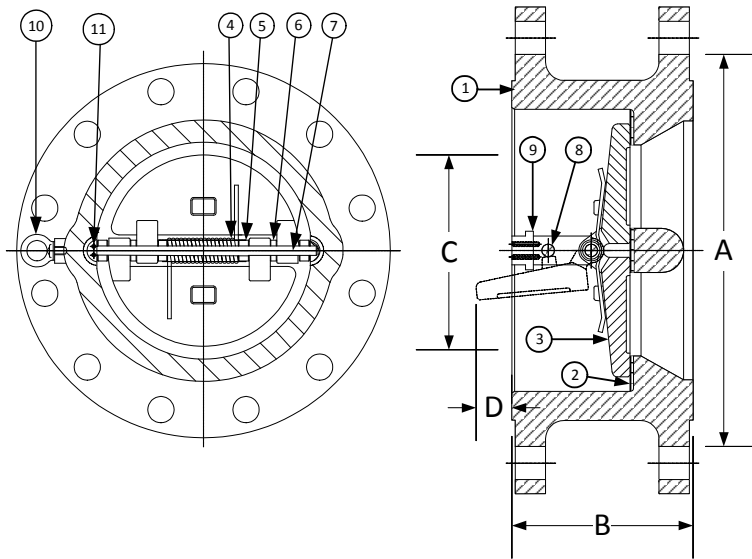
Size	8"	10"	12"	14"	16"	18"
C _v	1800	2600	4300	5500	7200	9400
Size	20"	24"	30"	36"	42"	48"
C _v	12600	19000	37500	60000	89000	124000



TECHNICAL DATA
DIMENSIONS AND WEIGHTS

Style DF

**Retainerless Wafer Double Flange Body
Double Disc Check Valve, 600 lb.
Alloy 20 (ASTM A 351, Grade CN7M)**



PARTS LIST		
ITEM	DESCRIPTION	MATERIAL
1	Body	Alloy 20 (ASTM A 351, Grade CN7M)
2	Seat	Viton O-Ring
3	Disc	Alloy 20 (ASTM A 351, Grade CN7M)
4	Spring	Inconel X-750
5	Spring Plate	Stainless Steel (ASTM A 182, Grade F-316)
6	Thrust Washer	Stainless Steel (ASTM A 182, Grade F-316)
7	Hinge Pin	Stainless Steel (ASTM A 182, Grade F-316)
8	Stop Pin	Stainless Steel (ASTM A 182, Grade F-316)
9	Locating Piece	Stainless Steel (ASTM A 182, Grade F-316)
10	Lifting Lug	Carbon Steel
11	Screw	Stainless Steel (316)

Above "Standard" Product Number – DF5R-A2-A24IX
Other Options - Reference C2 for available materials.

SIZE		DIMENSIONS						WEIGHTS	
		A		B		C*			
in	mm	in	mm	in	mm	in	mm	lbs	kgs
12	300	18	457	9	229	11-3/8	289	612	277
14	350	19-3/8	492	10-3/4	273	12-1/2	318	826	375
16	400	22-1/4	565	12	305	14-3/8	365	951	430
18	450	24-1/8	613	14-1/4	362	16-1/8	409	1433	650
20	500	26-7/8	683	14-1/2	368	18	457	1763	800
24	600	31-1/8	791	17-1/4	438	21-9/16	548	2755	1250
30	750	38-1/4	972	19-7/8	505	28-3/4	730	5070	2300
36	900	44-1/2	1130	25	635	33-3/4	857	7605	3450
42	1050	48	1219	27-37-64	701	39-1/2	1003	9985	4529
48	1200	-	-	31	787	36	914	12600	5715

*Minimum companion flange bore.

Available with thru-hole bolting or threaded bolt holes.

Sizes 30" and larger fit Series A flanges.

Seat Material	Operating Temperature**	
	°F	°C
Buna-N	-20 to 250	-29 to 121
Viton	-20 to 400	-29 to 204
EPDM	-40 to 300	-40 to 149

**Subject to limitations of body material.

Applicable Standards
• Design ASME B16.5
• Design ASME B16.34
• Testing API 598
• Conforms to API 594 & 6D
• MSS SP - 6
• MSS SP - 25
• MSS SP - 55

FLOW COEFFICIENTS

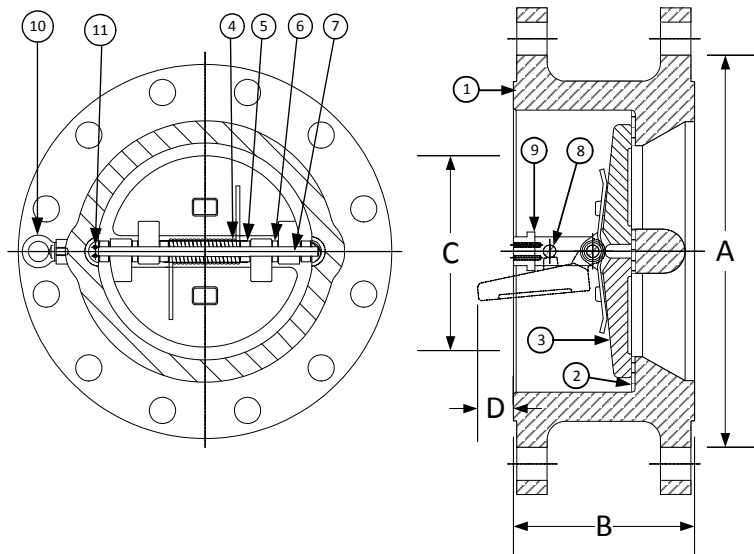
Size	12"	14"	16"	18"	20"	24"
C _v	4300	5500	7200	9400	12600	19000
Size	30"	36"	42"	48"		
C _v	37500	60000	89000	12400		



TECHNICAL DATA
DIMENSIONS AND WEIGHTS

Style DF

**Retainerless Wafer Double Flange Body
Double Disc Check Valve, 900 lb.
Alloy 20 (ASTM A 351, Grade CN7M)**



PARTS LIST		
ITEM	DESCRIPTION	MATERIAL
1	Body	Alloy 20 (ASTM A 351, Grade CN7M)
2	Seat	Viton O-Ring
3	Disc	Alloy 20 (ASTM A 351, Grade CN7M)
4	Spring	Inconel X-750
5	Spring Plate	Stainless Steel (ASTM A 182, Grade F-316)
6	Thrust Washer	Stainless Steel (ASTM A 182, Grade F-316)
7	Hinge Pin	Stainless Steel (ASTM A 182, Grade F-316)
8	Stop Pin	Stainless Steel (ASTM A 182, Grade F-316)
9	Locating Piece	Stainless Steel (ASTM A 182, Grade F-316)
10	Lifting Lug	Carbon Steel
11	Screw	Stainless Steel (316)

Above "Standard" Product Number - DF6R-A2-A24IX
Other Options - Reference C2 for available materials.

SIZE		DIMENSIONS						WEIGHTS	
		A		B		C*			
in	mm	in	mm	in	mm	in	mm	lbs	kgs
12	300	19-5/8	498	11-1/2	292	10-1/8	257	770	349
14	350	20-1/2	521	14	356	11-1/2	292	1240	561
16	400	22-5/8	575	15-1/8	384	12-7/8	327	1653	750
18	450	25-1/8	638	17-3/4	451	14-1/2	368	2314	1050
20	500	27-1/2	699	17-3/4	451	18	457	2866	1300
24	600	33	838	19-1/2	495	21-1/2	546	4175	1893

*Minimum companion flange bore.

Available with thru-hole bolting or threaded bolt holes.

Sizes 30" and larger fit Series A flanges.

Seat Material	Operating Temperature**	
	°F	°C
Buna-N	-20 to 250	-29 to 121
Viton	-20 to 400	-29 to 204
EPDM	-40 to 300	-40 to 149

**Subject to limitations of body material.

Applicable Standards
• Design ASME B16.5
• Design ASME B16.34
• Testing API 598
• Conforms to API 594 & 6D
• MSS SP - 6
• MSS SP - 25
• MSS SP - 55

FLOW COEFFICIENTS

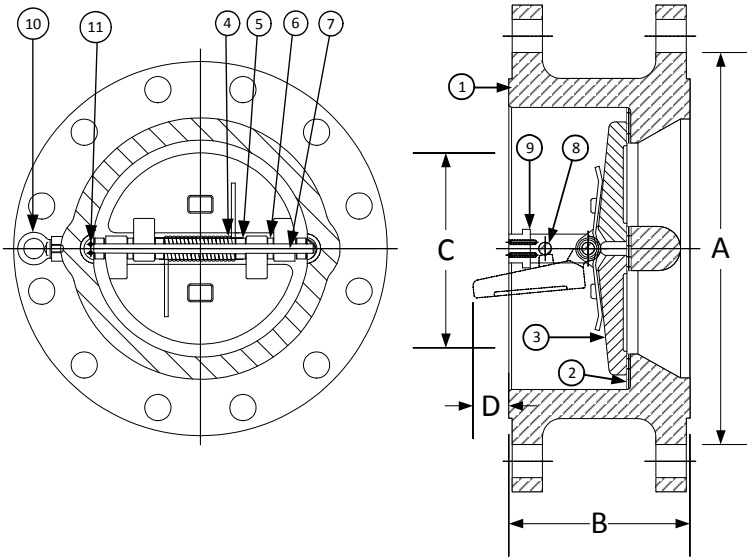
Size	12"	14"	16"	18"	20"	24"
C _v	4300	5500	7200	9400	12600	19000



TECHNICAL DATA
DIMENSIONS AND WEIGHTS

Style DF

**Retainerless Wafer Double Flange Body
Double Disc Check Valve, 150 lb.
Hastelloy C276 (ASTM A 494, Grade CW12MW)**



PARTS LIST		
ITEM	DESCRIPTION	MATERIAL
1	Body	Hastelloy C276 (ASTM A 494, Grade CW12MW)
2	Seat	Viton O-Ring
3	Disc	Hastelloy C276 (ASTM A 494, Grade CW12MW)
4	Spring	Inconel X-750
5	Spring Plate	Stainless Steel (ASTM A 182, Grade F-316)
6	Thrust Washer	Stainless Steel (ASTM A 182, Grade F-316)
7	Hinge Pin	Stainless Steel (ASTM A 182, Grade F-316)
8	Stop Pin	Stainless Steel (ASTM A 182, Grade F-316)
9	Locating Piece	Stainless Steel (ASTM A 182, Grade F-316)
10	Lifting Lug	Carbon Steel
11	Screw	Stainless Steel (316)

Above "Standard" Product Number - DF2R-HC-HC4IX
Other Options - Reference C2 for available materials.

SIZE		DIMENSIONS						WEIGHTS	
		A		B		C*			
in	mm	in	mm	in	mm	in	mm	lbs	kgs
8	200	11	279	5	127	7-5/8	194	93	42
10	250	13-3/8	340	5-3/4	146	9-9/16	243	189	86
12	300	16-1/8	410	7-1/8	181	11-3/8	289	308	140
14	350	17-3/4	451	7-1/4	184	12-1/2	318	352	160
16	400	20-1/4	514	7-1/2	191	15	381	496	225
18	450	21-5/8	549	8	203	16-7/8	428	551	250
20	500	23-7/8	606	8-5/8	219	8-7/8	480	661	300
24	600	28-1/4	718	8-3/4	222	22-5/8	575	860	389
30	750	34-3/4	883	12	305	29-1/4	743	1512	687
36	900	41-1/4	1048	14-1/2	368	35	889	2525	1145
42	1050	48	1219	17	432	41	1041	4163	1888
48	1200	54-1/2	1384	20-5/8	524	47	1194	5880	2667

*Minimum companion flange bore.
Available with thru-hole bolting or threaded bolt holes.

Sizes 30" and larger fit Series A flanges.

Seat Material	Operating Temperature**	
	°F	°C
Buna-N	-20 to 250	-29 to 121
Viton	-20 to 400	-29 to 204
EPDM	-40 to 300	-40 to 149

**Subject to limitations of body material.

Applicable Standards
• Design ASME B16.5
• Design ASME B16.34
• Testing API 598
• Conforms to API 594 & 6D
• MSS SP - 6
• MSS SP - 25
• MSS SP - 55

FLOW COEFFICIENTS

Size	8"	10"	12"	14"	16"	18"
C _v	1800	2600	4300	5500	7200	9400
Size	20"	24"	30"	36"	42"	48"
C _v	12600	19000	37500	60000	89000	124000

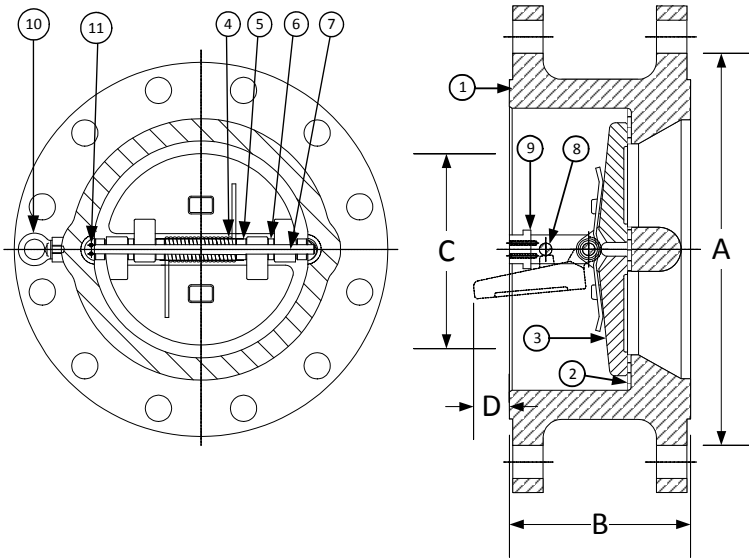


TECHNICAL DATA
DIMENSIONS AND WEIGHTS

Style DF

**Retainerless Wafer Double Flange Body
Double Disc Check Valve, 300 lb.**

Hastelloy C276 (ASTM A 494, Grade CW12MW)



PARTS LIST		
ITEM	DESCRIPTION	MATERIAL
1	Body	Hastelloy C276 (ASTM A 494, Grade CW12MW)
2	Seat	Viton O-Ring
3	Disc	Hastelloy C276 (ASTM A 494, Grade CW12MW)
4	Spring	Inconel X-750
5	Spring Plate	Stainless Steel (ASTM A 182, Grade F-316)
6	Thrust Washer	Stainless Steel (ASTM A 182, Grade F-316)
7	Hinge Pin	Stainless Steel (ASTM A 182, Grade F-316)
8	Stop Pin	Stainless Steel (ASTM A 182, Grade F-316)
9	Locating Piece	Stainless Steel (ASTM A 182, Grade F-316)
10	Lifting Lug	Carbon Steel
11	Screw	Stainless Steel (316)

Above "Standard" Product Number - DF4R-HC-HC4IX
Other Options - Reference C2 for available materials.

SIZE		DIMENSIONS						WEIGHTS	
		A		B		C*			
in	mm	in	mm	in	mm	in	mm	lbs	kgs
8	200	12-1/8	308	5	127	7-1/2	191	151	68
10	250	14-1/4	362	5-3/4	146	9-7/16	240	251	114
12	300	16-5/8	422	7-1/8	181	11-3/8	289	465	211
14	350	19-1/8	486	8-3/4	222	12-1/2	318	593	269
16	400	21-1/4	540	9-1/8	232	14-3/8	365	771	350
18	450	23-1/2	597	10-3/8	264	16-1/8	409	970	440
20	500	25-3/4	654	11-1/2	292	17-7/8	454	1078	488
24	600	30-1/2	775	12-1/2	318	22-1/8	562	1516	686
30	750	37-1/2	953	14-1/2	368	28-3/4	730	3100	1406
36	900	44	1118	19	483	35	864	4650	2109
42	1050	45-7/8	1289	22-3/8	568	41	1041	8670	3932
48	1200	52-1/8	1492	24-3/4	629	47	1193	9950	4513

*Minimum companion flange bore.

Available with thru-hole bolting or threaded bolt holes.

Sizes 30" and larger fit Series A flanges.

Seat Material	Operating Temperature**	
	°F	°C
Buna-N	-20 to 250	-29 to 121
Viton	-20 to 400	-29 to 204
EPDM	-40 to 300	-40 to 149

**Subject to limitations of body material.

Applicable Standards
• Design ASME B16.5
• Design ASME B16.34
• Testing API 598
• Conforms to API 594 & 6D
• MSS SP - 6
• MSS SP - 25
• MSS SP - 55

FLOW COEFFICIENTS

Size	8"	10"	12"	14"	16"	18"
C _v	1800	2600	4300	5500	7200	9400
Size	20"	24"	30"	36"	42"	48"
C _v	12600	19000	37500	60000	89000	124000

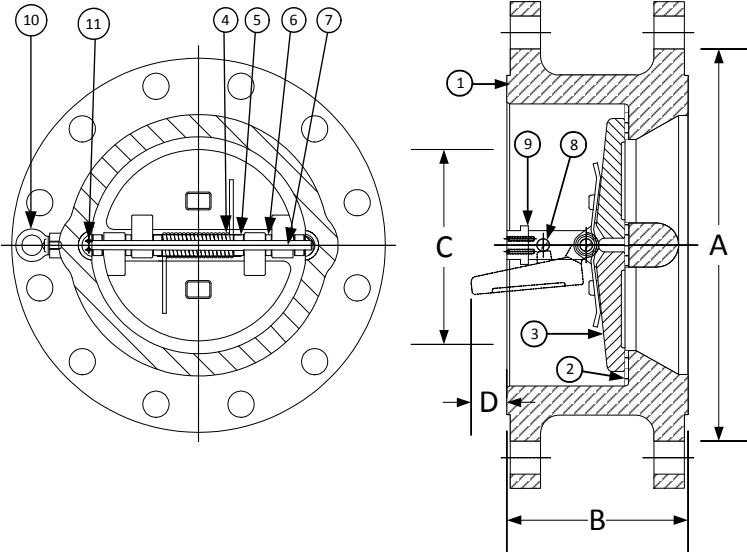


TECHNICAL DATA
DIMENSIONS AND WEIGHTS

Style DF

Retainerless Wafer Double Flange Body Double Disc Check Valve, 600 lb.

Hastelloy C276 (ASTM A 494, Grade CW12MW)



PARTS LIST

ITEM	DESCRIPTION	MATERIAL
1	Body	Hastelloy C276 (ASTM A 494, Grade CW12MW)
2	Seat	Viton O-Ring
3	Disc	Hastelloy C276 (ASTM A 494, Grade CW12MW)
4	Spring	Inconel X-750
5	Spring Plate	Stainless Steel (ASTM A 182, Grade F-316)
6	Thrust Washer	Stainless Steel (ASTM A 182, Grade F-316)
7	Hinge Pin	Stainless Steel (ASTM A 182, Grade F-316)
8	Stop Pin	Stainless Steel (ASTM A 182, Grade F-316)
9	Locating Piece	Stainless Steel (ASTM A 182, Grade F-316)
10	Lifting Lug	Carbon Steel
11	Screw	Stainless Steel (316)

Above "Standard" Product Number - DF5R-HC-HC4IX
Other Options - Reference C2 for available materials.

SIZE		DIMENSIONS						WEIGHTS	
		A		B		C*			
in	mm	in	mm	in	mm	in	mm	lbs	kgs
12	300	18	457	9	229	11-3/8	289	612	277
14	350	19-3/8	492	10-3/4	273	12-1/2	318	826	375
16	400	22-1/4	565	12	305	14-3/8	365	951	430
18	450	24-1/8	613	14-1/4	362	16-1/8	409	1433	650
20	500	26-7/8	683	14-1/2	368	18	457	1763	800
24	600	31-1/8	791	17-1/4	438	21-9/16	548	2755	1250
30	750	38-1/4	972	19-7/8	505	28-3/4	730	5070	2300
36	900	44-1/2	1130	25	635	33-3/4	857	7605	3450
42	1050	48	1219	27-37-64	701	39-1/2	1003	9985	4529
48	1200	-	-	31	787	36	914	12600	5715

*Minimum companion flange bore.
Available with thru-hole bolting or threaded bolt holes.

Sizes 30" and larger fit Series A flanges.

Seat Material	Operating Temperature**	
	°F	°C
Buna-N	-20 to 250	-29 to 121
Viton	-20 to 400	-29 to 204
EPDM	-40 to 300	-40 to 149

Applicable Standards
• Design ASME B16.5
• Design ASME B16.34
• Testing API 598
• Conforms to API 594 & 6D
• MSS SP - 6
• MSS SP - 25
• MSS SP - 55

**Subject to limitations of body material.

FLOW COEFFICIENTS

Size	12"	14"	16"	18"	20"	24"
C _v	4300	5500	7200	9400	12600	19000
Size	30"	36"	42"	48"		
C _v	37500	60000	89000	12400		



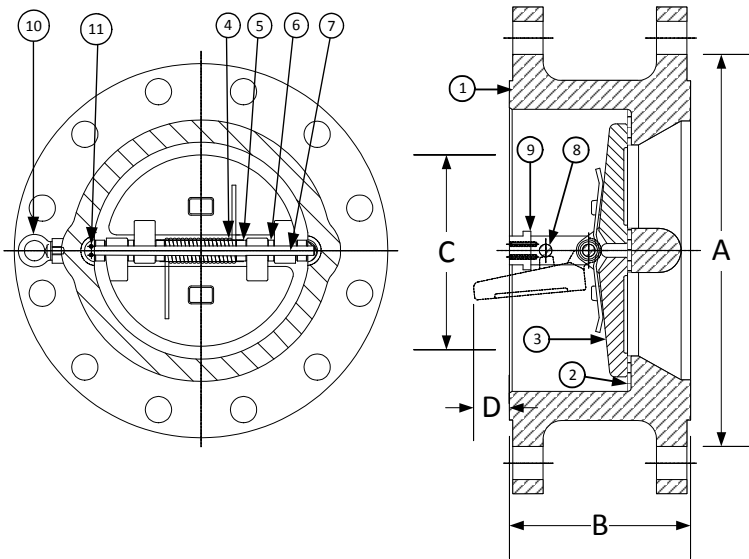
TECHNICAL DATA
DIMENSIONS AND WEIGHTS

Style DF

Retainerless Wafer Double Flange Body

Double Disc Check Valve, 900 lb.

Hastelloy C276 (ASTM A 494, Grade CW12MW)



PARTS LIST		
ITEM	DESCRIPTION	MATERIAL
1	Body	Hastelloy C276 (ASTM A 494, Grade CW12MW)
2	Seat	Viton O-Ring
3	Disc	Hastelloy C276 (ASTM A 494, Grade CW12MW)
4	Spring	Inconel X-750
5	Spring Plate	Stainless Steel (ASTM A 182, Grade F-316)
6	Thrust Washer	Stainless Steel (ASTM A 182, Grade F-316)
7	Hinge Pin	Stainless Steel (ASTM A 182, Grade F-316)
8	Stop Pin	Stainless Steel (ASTM A 182, Grade F-316)
9	Locating Piece	Stainless Steel (ASTM A 182, Grade F-316)
10	Lifting Lug	Carbon Steel
11	Screw	Stainless Steel (316)

Above "Standard" Product Number - DF6R-HC-HC4IX

Other Options - Reference C2 for available materials.

SIZE		DIMENSIONS						WEIGHTS	
		A		B		C*			
in	mm	in	mm	in	mm	in	mm	lbs	kgs
12	300	19-5/8	498	11-1/2	292	10-1/8	257	770	349
14	350	20-1/2	521	14	356	11-1/2	292	1240	561
16	400	22-5/8	575	15-1/8	384	12-7/8	327	1653	750
18	450	25-1/8	638	17-3/4	451	14-1/2	368	2314	1050
20	500	27-1/2	699	17-3/4	451	18	457	2866	1300
24	600	33	838	19-1/2	495	21-1/2	546	4175	1893

*Minimum companion flange bore.

Available with thru-hole bolting or threaded bolt holes.

Sizes 30" and larger fit Series A flanges.

Seat Material	Operating Temperature**	
	°F	°C
Buna-N	-20 to 250	-29 to 121
Viton	-20 to 400	-29 to 204
EPDM	-40 to 300	-40 to 149

**Subject to limitations of body material.

Applicable Standards
• Design ASME B16.5
• Design ASME B16.34
• Testing API 598
• Conforms to API 594 & 6D
• MSS SP - 6
• MSS SP - 25
• MSS SP - 55

FLOW COEFFICIENTS

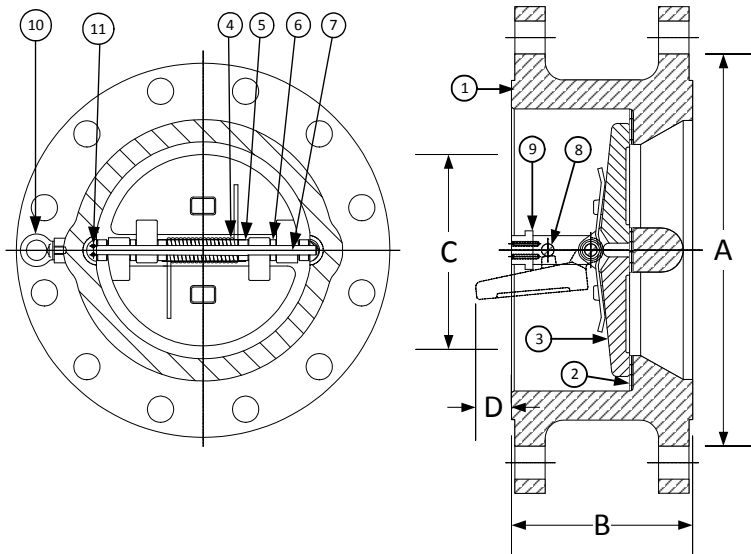
Size	12"	14"	16"	18"	20"	24"
C _v	4300	5500	7200	9400	12600	19000



TECHNICAL DATA
DIMENSIONS AND WEIGHTS

Style DF

Retainerless Wafer Double Flange Body Double Disc Check Valve, 150 lb. Monel (ASTM A 494, Grade M35-2)



PARTS LIST		
ITEM	DESCRIPTION	MATERIAL
1	Body	Monel (ASTM A 494, Grade M35-2)
2	Seat	Viton O-Ring
3	Disc	Monel (ASTM A 494, Grade M35-2)
4	Spring	Inconel X-750
5	Spring Plate	Stainless Steel (ASTM A 182, Grade F-316)
6	Thrust Washer	Stainless Steel (ASTM A 182, Grade F-316)
7	Hinge Pin	Stainless Steel (ASTM A 182, Grade F-316)
8	Stop Pin	Stainless Steel (ASTM A 182, Grade F-316)
9	Locating Piece	Stainless Steel (ASTM A 182, Grade F-316)
10	Lifting Lug	Carbon Steel
11	Screw	Stainless Steel (316)

Above "Standard" Product Number - DF2R-ML-ML4IX
Other Options - Reference C2 for available materials.

SIZE		DIMENSIONS						WEIGHTS	
		A		B		C*			
in	mm	in	mm	in	mm	in	mm	lbs	kgs
8	200	11	279	5	127	7-5/8	194	93	42
10	250	13-3/8	340	5-3/4	146	9-9/16	243	189	86
12	300	16-1/8	410	7-1/8	181	11-3/8	289	308	140
14	350	17-3/4	451	7-1/4	184	12-1/2	318	352	160
16	400	20-1/4	514	7-1/2	191	15	381	496	225
18	450	21-5/8	549	8	203	16-7/8	428	551	250
20	500	23-7/8	606	8-5/8	219	8-7/8	480	661	300
24	600	28-1/4	718	8-3/4	222	22-5/8	575	860	389
30	750	34-3/4	883	12	305	29-1/4	743	1512	687
36	900	41-1/4	1048	14-1/2	368	35	889	2525	1145
42	1050	48	1219	17	432	41	1041	4163	1888
48	1200	54-1/2	1384	20-5/8	524	47	1194	5880	2667

*Minimum companion flange bore.
Available with thru-hole bolting or threaded bolt holes.

Sizes 30" and larger fit Series A flanges.

Seat Material	Operating Temperature**	
	°F	°C
Buna-N	-20 to 250	-29 to 121
Viton	-20 to 400	-29 to 204
EPDM	-40 to 300	-40 to 149

**Subject to limitations of body material.

Applicable Standards
• Design ASME B16.5
• Design ASME B16.34
• Testing API 598
• Conforms to API 594 & 6D
• MSS SP - 6
• MSS SP - 25
• MSS SP - 55

FLOW COEFFICIENTS

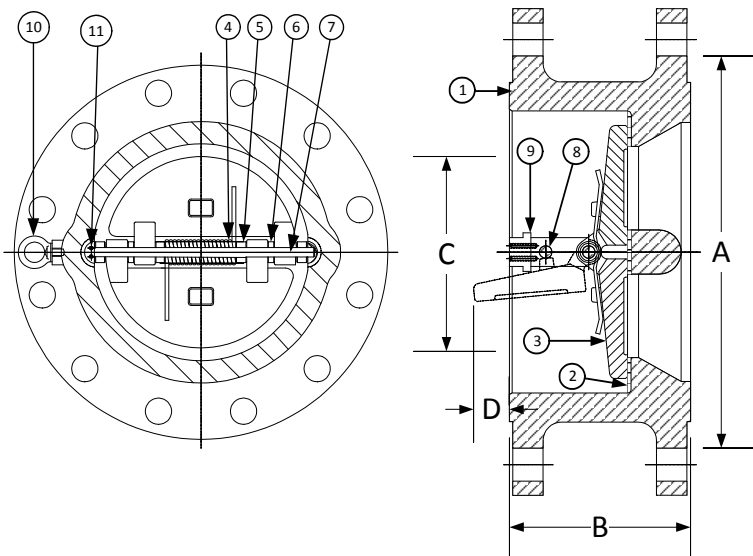
Size	8"	10"	12"	14"	16"	18"
C _v	1800	2600	4300	5500	7200	9400
Size	20"	24"	30"	36"	42"	48"
C _v	12600	19000	37500	60000	89000	124000



TECHNICAL DATA
DIMENSIONS AND WEIGHTS

Style DF

**Retainerless Wafer Double Flange Body
Double Disc Check Valve, 300 lb.
Monel (ASTM A 494, Grade M35-2)**



PARTS LIST

ITEM	DESCRIPTION	MATERIAL
1	Body	Monel (ASTM A 494, Grade M35-2)
2	Seat	Viton O-Ring
3	Disc	Monel (ASTM A 494, Grade M35-2)
4	Spring	Inconel X-750
5	Spring Plate	Stainless Steel (ASTM A 182, Grade F-316)
6	Thrust Washer	Stainless Steel (ASTM A 182, Grade F-316)
7	Hinge Pin	Stainless Steel (ASTM A 182, Grade F-316)
8	Stop Pin	Stainless Steel (ASTM A 182, Grade F-316)
9	Locating Piece	Stainless Steel (ASTM A 182, Grade F-316)
10	Lifting Lug	Carbon Steel
11	Screw	Stainless Steel (316)

Above "Standard" Product Number - DF4R-ML-ML4IX
Other Options - Reference C2 for available materials.

SIZE		DIMENSIONS						WEIGHTS	
		A		B		C*			
in	mm	in	mm	in	mm	in	mm	lbs	kgs
8	200	12-1/8	308	5	127	7-1/2	191	151	68
10	250	14-1/4	362	5-3/4	146	9-7/16	240	251	114
12	300	16-5/8	422	7-1/8	181	11-3/8	289	465	211
14	350	19-1/8	486	8-3/4	222	12-1/2	318	593	269
16	400	21-1/4	540	9-1/8	232	14-3/8	365	771	350
18	450	23-1/2	597	10-3/8	264	16-1/8	409	970	440
20	500	25-3/4	654	11-1/2	292	17-7/8	454	1078	488
24	600	30-1/2	775	12-1/2	318	22-1/8	562	1516	686
30	750	37-1/2	953	14-1/2	368	28-3/4	730	3100	1406
36	900	44	1118	19	483	35	864	4650	2109
42	1050	45-7/8	1289	22-3/8	568	41	1041	8670	3932
48	1200	52-1/8	1492	24-3/4	629	47	1193	9950	4513

*Minimum companion flange bore.

Available with thru-hole bolting or threaded bolt holes.

Sizes 30" and larger fit Series A flanges.

Seat Material	Operating Temperature**	
	°F	°C
Buna-N	-20 to 250	-29 to 121
Viton	-20 to 400	-29 to 204
EPDM	-40 to 300	-40 to 149

**Subject to limitations of body material.

Applicable Standards
• Design ASME B16.5
• Design ASME B16.34
• Testing API 598
• Conforms to API 594 & 6D
• MSS SP - 6
• MSS SP - 25
• MSS SP - 55

FLOW COEFFICIENTS

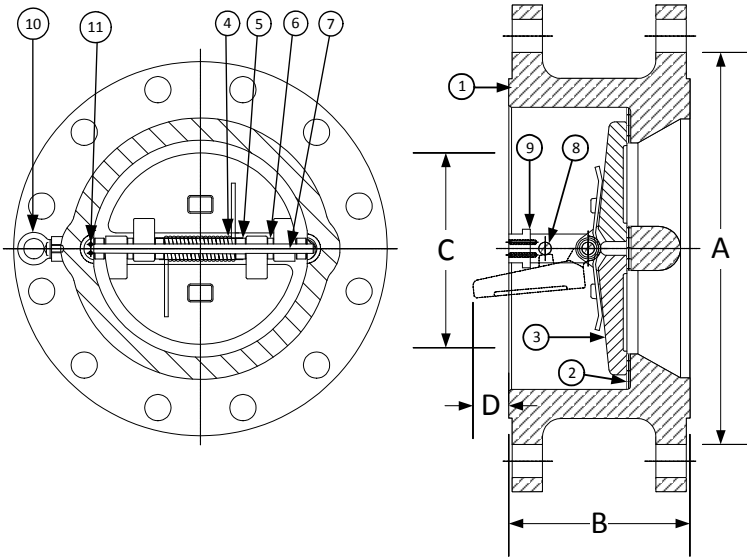
Size	8"	10"	12"	14"	16"	18"
C _v	1800	2600	4300	5500	7200	9400
Size	20"	24"	30"	36"	42"	48"
C _v	12600	19000	37500	60000	89000	124000



TECHNICAL DATA
DIMENSIONS AND WEIGHTS

Style DF

Retainerless Wafer Double Flange Body Double Disc Check Valve, 600 lb. Monel (ASTM A 494, Grade M35-2)



PARTS LIST		
ITEM	DESCRIPTION	MATERIAL
1	Body	Monel (ASTM A 494, Grade M35-2)
2	Seat	Viton O-Ring
3	Disc	Monel (ASTM A 494, Grade M35-2)
4	Spring	Inconel X-750
5	Spring Plate	Stainless Steel (ASTM A 182, Grade F-316)
6	Thrust Washer	Stainless Steel (ASTM A 182, Grade F-316)
7	Hinge Pin	Stainless Steel (ASTM A 182, Grade F-316)
8	Stop Pin	Stainless Steel (ASTM A 182, Grade F-316)
9	Locating Piece	Stainless Steel (ASTM A 182, Grade F-316)
10	Lifting Lug	Carbon Steel
11	Screw	Stainless Steel (316)

Above "Standard" Product Number - **DF5R-ML-ML4IX**
Other Options - Reference **C2** for available materials.

SIZE		DIMENSIONS						WEIGHTS	
		A		B		C*			
in	mm	in	mm	in	mm	in	mm	lbs	kgs
12	300	18	457	9	229	11-3/8	289	612	277
14	350	19-3/8	492	10-3/4	273	12-1/2	318	826	375
16	400	22-1/4	565	12	305	14-3/8	365	951	430
18	450	24-1/8	613	14-1/4	362	16-1/8	409	1433	650
20	500	26-7/8	683	14-1/2	368	18	457	1763	800
24	600	31-1/8	791	17-1/4	438	21-9/16	548	2755	1250
30	750	38-1/4	972	19-7/8	505	28-3/4	730	5070	2300
36	900	44-1/2	1130	25	635	33-3/4	857	7605	3450
42	1050	48	1219	27-37-64	701	39-1/2	1003	9985	4529
48	1200	-	-	31	787	36	914	12600	5715

*Minimum companion flange bore.
Available with thru-hole bolting or threaded bolt holes.

Sizes 30" and larger fit Series A flanges.

Seat Material	Operating Temperature**	
	°F	°C
Buna-N	-20 to 250	-29 to 121
Viton	-20 to 400	-29 to 204
EPDM	-40 to 300	-40 to 149

Applicable Standards
• Design ASME B16.5
• Design ASME B16.34
• Testing API 598
• Conforms to API 594 & 6D
• MSS SP - 6
• MSS SP - 25
• MSS SP - 55

**Subject to limitations of body material.

FLOW COEFFICIENTS

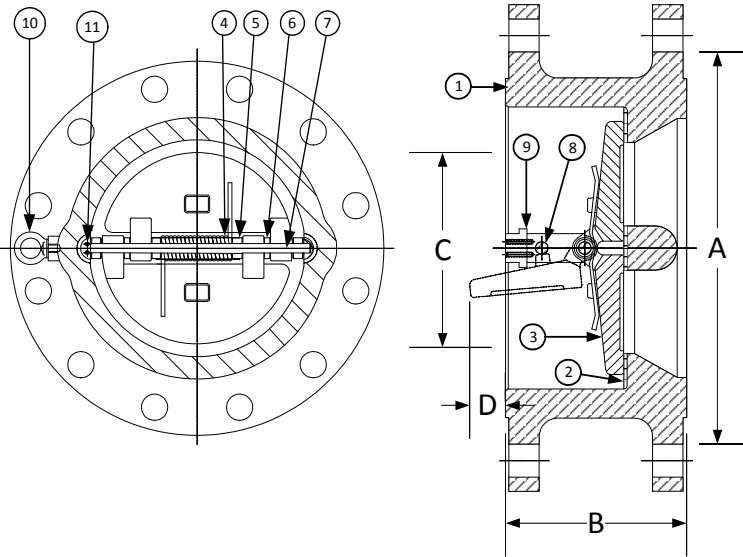
Size	12"	14"	16"	18"	20"	24"
C _v	4300	5500	7200	9400	12600	19000
Size	30"	36"	42"	48"		
C _v	37500	60000	89000	12400		



TECHNICAL DATA
DIMENSIONS AND WEIGHTS

Style DF

**Retainerless Wafer Double Flange Body
Double Disc Check Valve, 900 lb.
Monel (ASTM A 494, Grade M35-2)**



PARTS LIST		
ITEM	DESCRIPTION	MATERIAL
1	Body	Monel (ASTM A 494, Grade M35-2)
2	Seat	Viton O-Ring
3	Disc	Monel (ASTM A 494, Grade M35-2)
4	Spring	Inconel X-750
5	Spring Plate	Stainless Steel (ASTM A 182, Grade F-316)
6	Thrust Washer	Stainless Steel (ASTM A 182, Grade F-316)
7	Hinge Pin	Stainless Steel (ASTM A 182, Grade F-316)
8	Stop Pin	Stainless Steel (ASTM A 182, Grade F-316)
9	Locating Piece	Stainless Steel (ASTM A 182, Grade F-316)
10	Lifting Lug	Carbon Steel
11	Screw	Stainless Steel (316)

Above "Standard" Product Number - **DF6R-ML-ML4IX**
Other Options - Reference **C2** for available materials.

SIZE		DIMENSIONS						WEIGHTS	
		A		B		C*			
in	mm	in	mm	in	mm	in	mm	lbs	kgs
12	300	19-5/8	498	11-1/2	292	10-1/8	257	770	349
14	350	20-1/2	521	14	356	11-1/2	292	1240	561
16	400	22-5/8	575	15-1/8	384	12-7/8	327	1653	750
18	450	25-1/8	638	17-3/4	451	14-1/2	368	2314	1050
20	500	27-1/2	699	17-3/4	451	18	457	2866	1300
24	600	33	838	19-1/2	495	21-1/2	546	4175	1893

*Minimum companion flange bore.
Available with thru-hole bolting or threaded bolt holes.

Sizes 30" and larger fit Series A flanges.

Seat Material	Operating Temperature**	
	°F	°C
Buna-N	-20 to 250	-29 to 121
Viton	-20 to 400	-29 to 204
EPDM	-40 to 300	-40 to 149

**Subject to limitations of body material.

Applicable Standards
• Design ASME B16.5
• Design ASME B16.34
• Testing API 598
• Conforms to API 594 & 6D
• MSS SP - 6
• MSS SP - 25
• MSS SP - 55

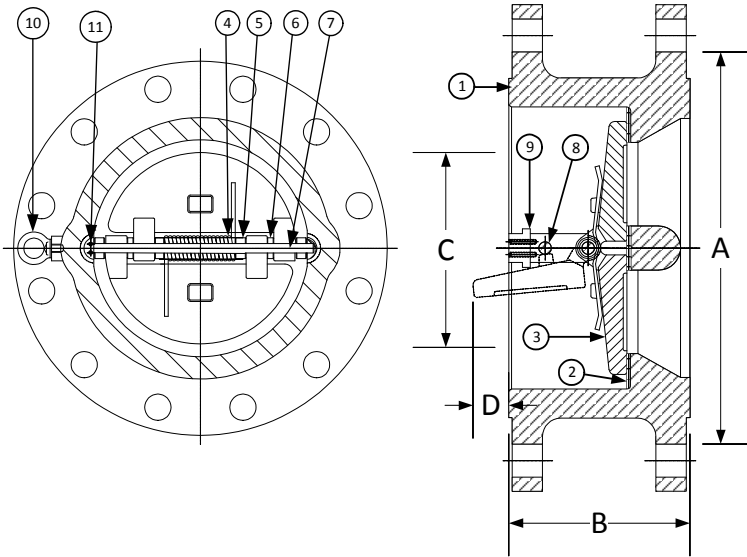
FLOW COEFFICIENTS						
Size	12"	14"	16"	18"	20"	24"
C _v	4300	5500	7200	9400	12600	19000



TECHNICAL DATA
DIMENSIONS AND WEIGHTS

Style DF

Retainerless Wafer Double Flange Body Double Disc Check Valve, 150 lb. Duplex (ASTM A 351, Grade CD4MCu)



PARTS LIST		
ITEM	DESCRIPTION	MATERIAL
1	Body	Duplex (ASTM A 351, Grade CD4MCu)
2	Seat	Viton O-Ring
3	Disc	Duplex (ASTM A 351, Grade CD4MCu)
4	Spring	Inconel X-750
5	Spring Plate	Stainless Steel (ASTM A 182, Grade F-316)
6	Thrust Washer	Stainless Steel (ASTM A 182, Grade F-316)
7	Hinge Pin	Stainless Steel (ASTM A 182, Grade F-316)
8	Stop Pin	Stainless Steel (ASTM A 182, Grade F-316)
9	Locating Piece	Stainless Steel (ASTM A 182, Grade F-316)
10	Lifting Lug	Carbon Steel
11	Screw	Stainless Steel (316)

Above "Standard" Product Number - DF2R-DP-DP4IX
Other Options - Reference C2 for available materials.

SIZE		DIMENSIONS						WEIGHTS	
		A		B		C*			
in	mm	in	mm	in	mm	in	mm	lbs	kgs
8	200	11	279	5	127	7-5/8	194	93	42
10	250	13-3/8	340	5-3/4	146	9-9/16	243	189	86
12	300	16-1/8	410	7-1/8	181	11-3/8	289	308	140
14	350	17-3/4	451	7-1/4	184	12-1/2	318	352	160
16	400	20-1/4	514	7-1/2	191	15	381	496	225
18	450	21-5/8	549	8	203	16-7/8	428	551	250
20	500	23-7/8	606	8-5/8	219	8-7/8	480	661	300
24	600	28-1/4	718	8-3/4	222	22-5/8	575	860	389
30	750	34-3/4	883	12	305	29-1/4	743	1512	687
36	900	41-1/4	1048	14-1/2	368	35	889	2525	1145
42	1050	48	1219	17	432	41	1041	4163	1888
48	1200	54-1/2	1384	20-5/8	524	47	1194	5880	2667

*Minimum companion flange bore.
Available with thru-hole bolting or threaded bolt holes.

Sizes 30" and larger fit Series A flanges.

Seat Material	Operating Temperature**	
	°F	°C
Buna-N	-20 to 250	-29 to 121
Viton	-20 to 400	-29 to 204
EPDM	-40 to 300	-40 to 149

**Subject to limitations of body material.

Applicable Standards
• Design ASME B16.5
• Design ASME B16.34
• Testing API 598
• Conforms to API 594 & 6D
• MSS SP - 6
• MSS SP - 25
• MSS SP - 55

FLOW COEFFICIENTS

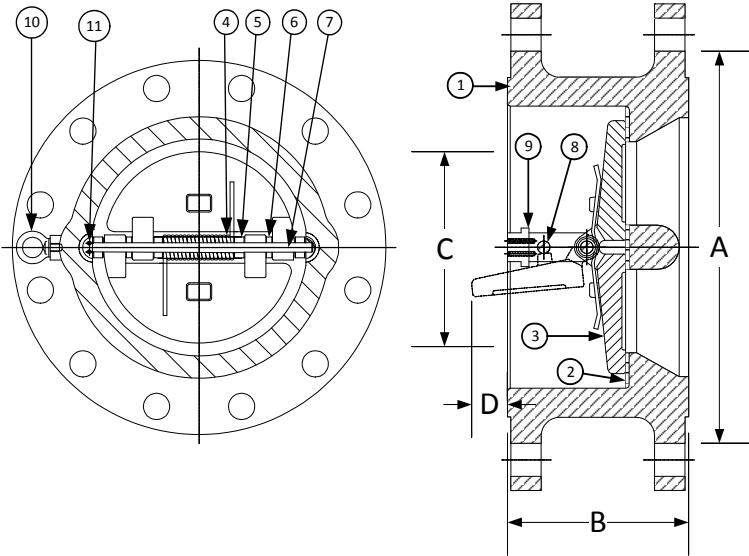
Size	8"	10"	12"	14"	16"	18"
C _v	1800	2600	4300	5500	7200	9400
Size	20"	24"	30"	36"	42"	48"
C _v	12600	19000	37500	60000	89000	124000



TECHNICAL DATA
DIMENSIONS AND WEIGHTS

Style DF

**Retainerless Wafer Double Flange Body
Double Disc Check Valve, 300 lb.
Duplex (ASTM A 351, Grade CD4MCu)**



PARTS LIST		
ITEM	DESCRIPTION	MATERIAL
1	Body	Duplex (ASTM A 351, Grade CD4MCu)
2	Seat	Viton O-Ring
3	Disc	Duplex (ASTM A 351, Grade CD4MCu)
4	Spring	Inconel X-750
5	Spring Plate	Stainless Steel (ASTM A 182, Grade F-316)
6	Thrust Washer	Stainless Steel (ASTM A 182, Grade F-316)
7	Hinge Pin	Stainless Steel (ASTM A 182, Grade F-316)
8	Stop Pin	Stainless Steel (ASTM A 182, Grade F-316)
9	Locating Piece	Stainless Steel (ASTM A 182, Grade F-316)
10	Lifting Lug	Carbon Steel
11	Screw	Stainless Steel (316)

Above "Standard" Product Number - DF4R-DP-DP4IX
Other Options - Reference C2 for available materials.

SIZE		DIMENSIONS						WEIGHTS	
		A		B		C*			
in	mm	in	mm	in	mm	in	mm	lbs	kgs
8	200	12-1/8	308	5	127	7-1/2	191	151	68
10	250	14-1/4	362	5-3/4	146	9-7/16	240	251	114
12	300	16-5/8	422	7-1/8	181	11-3/8	289	465	211
14	350	19-1/8	486	8-3/4	222	12-1/2	318	593	269
16	400	21-1/4	540	9-1/8	232	14-3/8	365	771	350
18	450	23-1/2	597	10-3/8	264	16-1/8	409	970	440
20	500	25-3/4	654	11-1/2	292	17-7/8	454	1078	488
24	600	30-1/2	775	12-1/2	318	22-1/8	562	1516	686
30	750	37-1/2	953	14-1/2	368	28-3/4	730	3100	1406
36	900	44	1118	19	483	35	864	4650	2109
42	1050	45-7/8	1289	22-3/8	568	41	1041	8670	3932
48	1200	52-1/8	1492	24-3/4	629	47	1193	9950	4513

*Minimum companion flange bore.

Available with thru-hole bolting or threaded bolt holes.

Sizes 30" and larger fit Series A flanges.

Seat Material	Operating Temperature**	
	°F	°C
Buna-N	-20 to 250	-29 to 121
Viton	-20 to 400	-29 to 204
EPDM	-40 to 300	-40 to 149

**Subject to limitations of body material.

Applicable Standards
• Design ASME B16.5
• Design ASME B16.34
• Testing API 598
• Conforms to API 594 & 6D
• MSS SP - 6
• MSS SP - 25
• MSS SP - 55

FLOW COEFFICIENTS

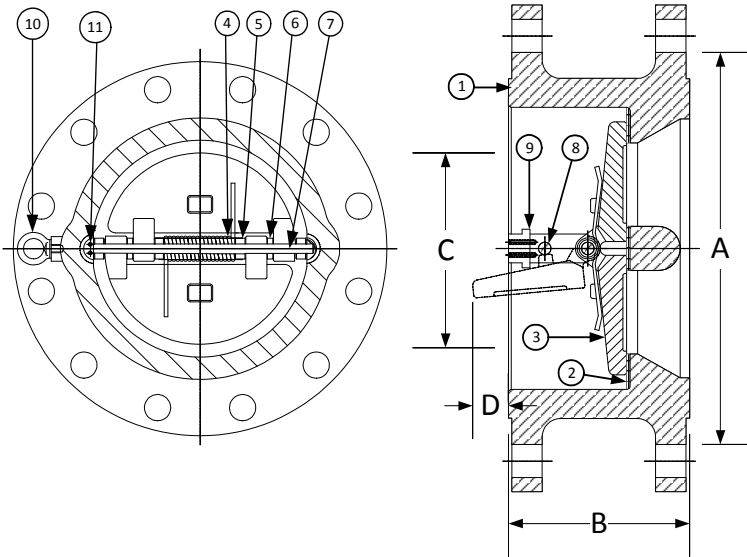
Size	8"	10"	12"	14"	16"	18"
C _v	1800	2600	4300	5500	7200	9400
Size	20"	24"	30"	36"	42"	48"
C _v	12600	19000	37500	60000	89000	124000



TECHNICAL DATA
DIMENSIONS AND WEIGHTS

Style DF

Retainerless Wafer Double Flange Body Double Disc Check Valve, 600 lb. Duplex (ASTM A 351, Grade CD4MCu)



PARTS LIST		
ITEM	DESCRIPTION	MATERIAL
1	Body	Duplex (ASTM A 351, Grade CD4MCu)
2	Seat	Viton O-Ring
3	Disc	Duplex (ASTM A 351, Grade CD4MCu)
4	Spring	Inconel X-750
5	Spring Plate	Stainless Steel (ASTM A 182, Grade F-316)
6	Thrust Washer	Stainless Steel (ASTM A 182, Grade F-316)
7	Hinge Pin	Stainless Steel (ASTM A 182, Grade F-316)
8	Stop Pin	Stainless Steel (ASTM A 182, Grade F-316)
9	Locating Piece	Stainless Steel (ASTM A 182, Grade F-316)
10	Lifting Lug	Carbon Steel
11	Screw	Stainless Steel (316)

Above "Standard" Product Number - DF5R-DP-DP4IX
Other Options - Reference C2 for available materials.

SIZE		DIMENSIONS						WEIGHTS	
		A		B		C*			
in	mm	in	mm	in	mm	in	mm	lbs	kgs
12	300	18	457	9	229	11-3/8	289	612	277
14	350	19-3/8	492	10-3/4	273	12-1/2	318	826	375
16	400	22-1/4	565	12	305	14-3/8	365	951	430
18	450	24-1/8	613	14-1/4	362	16-1/8	409	1433	650
20	500	26-7/8	683	14-1/2	368	18	457	1763	800
24	600	31-1/8	791	17-1/4	438	21-9/16	548	2755	1250
30	750	38-1/4	972	19-7/8	505	28-3/4	730	5070	2300
36	900	44-1/2	1130	25	635	33-3/4	857	7605	3450
42	1050	48	1219	27-37-64	701	39-1/2	1003	9985	4529
48	1200	-	-	31	787	36	914	12600	5715

*Minimum companion flange bore.
Available with thru-hole bolting or threaded bolt holes.

Sizes 30" and larger fit Series A flanges.

Seat Material	Operating Temperature**	
	°F	°C
Buna-N	-20 to 250	-29 to 121
Viton	-20 to 400	-29 to 204
EPDM	-40 to 300	-40 to 149

**Subject to limitations of body material.

Applicable Standards
• Design ASME B16.5
• Design ASME B16.34
• Testing API 598
• Conforms to API 594 & 6D
• MSS SP - 6
• MSS SP - 25
• MSS SP - 55

FLOW COEFFICIENTS

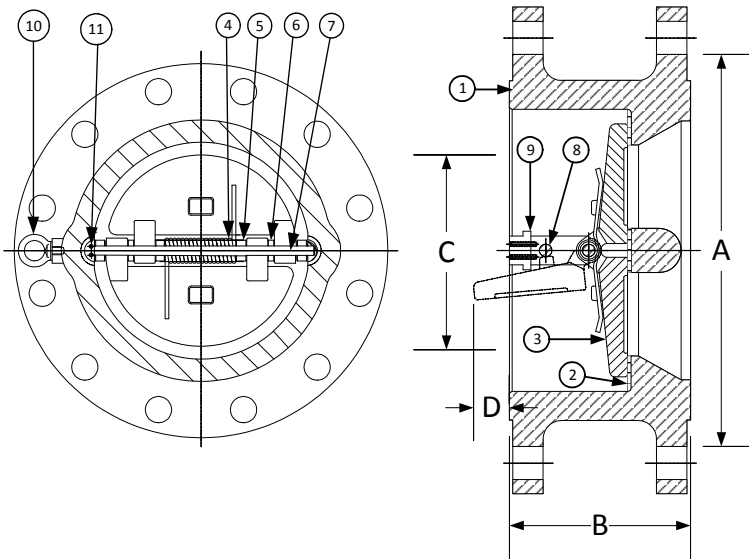
Size	12"	14"	16"	18"	20"	24"
C _v	4300	5500	7200	9400	12600	19000
Size	30"	36"	42"	48"		
C _v	37500	60000	89000	12400		



TECHNICAL DATA
DIMENSIONS AND WEIGHTS

Style DF

**Retainerless Wafer Double Flange Body
Double Disc Check Valve, 900 lb.
Duplex (ASTM A 351, Grade CD4MCu)**



PARTS LIST		
ITEM	DESCRIPTION	MATERIAL
1	Body	Duplex (ASTM A 351, Grade CD4MCu)
2	Seat	Viton O-Ring
3	Disc	Duplex (ASTM A 351, Grade CD4MCu)
4	Spring	Inconel X-750
5	Spring Plate	Stainless Steel (ASTM A 182, Grade F-316)
6	Thrust Washer	Stainless Steel (ASTM A 182, Grade F-316)
7	Hinge Pin	Stainless Steel (ASTM A 182, Grade F-316)
8	Stop Pin	Stainless Steel (ASTM A 182, Grade F-316)
9	Locating Piece	Stainless Steel (ASTM A 182, Grade F-316)
10	Lifting Lug	Carbon Steel
11	Screw	Stainless Steel (316)

Above "Standard" Product Number - DF6R-DP-DP4IX
Other Options - Reference C2 for available materials.

SIZE		DIMENSIONS						WEIGHTS	
		A		B		C*			
in	mm	in	mm	in	mm	in	mm	lbs	kgs
12	300	19-5/8	498	11-1/2	292	10-1/8	257	770	349
14	350	20-1/2	521	14	356	11-1/2	292	1240	561
16	400	22-5/8	575	15-1/8	384	12-7/8	327	1653	750
18	450	25-1/8	638	17-3/4	451	14-1/2	368	2314	1050
20	500	27-1/2	699	17-3/4	451	18	457	2866	1300
24	600	33	838	19-1/2	495	21-1/2	546	4175	1893

*Minimum companion flange bore.

Available with thru-hole bolting or threaded bolt holes.

Sizes 30" and larger fit Series A flanges.

Seat Material	Operating Temperature**	
	°F	°C
Buna-N	-20 to 250	-29 to 121
Viton	-20 to 400	-29 to 204
EPDM	-40 to 300	-40 to 149

**Subject to limitations of body material.

Applicable Standards
• Design ASME B16.5
• Design ASME B16.34
• Testing API 598
• Conforms to API 594 & 6D
• MSS SP - 6
• MSS SP - 25
• MSS SP - 55

FLOW COEFFICIENTS

Size	12"	14"	16"	18"	20"	24"
C _v	4300	5500	7200	9400	12600	19000



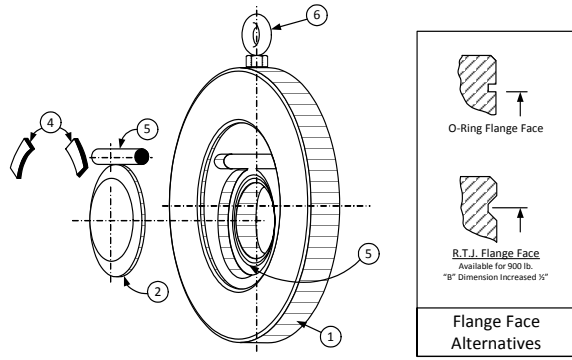
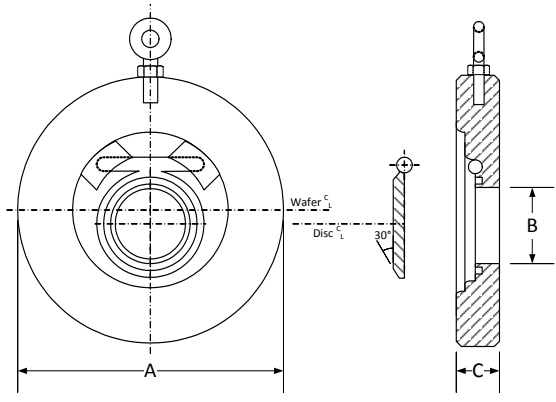
TECHNICAL DATA
DIMENSIONS AND WEIGHTS

Style SP & Style LP

Short Pattern & Long Pattern

Wafer Check Valve, 150 lb.

Alloy 20



PARTS LIST		
ITEM	DESCRIPTION	MATERIAL
1	Body	Alloy 20
2	Disc	Alloy 20
3	Hinge pin	Stainless Steel (302)
4	Pin retainer	Stainless Steel (302)
5	O-ring	Viton
6	Eye bolt w/ hex nut	Carbon Steel (ASTM A 105)

Above "Standard" Product Number for Short Pattern- SP2R-A2-A24

Above "Standard" Product Number for Long Pattern- LP2R-A2-A24

Other Options - Reference C2 for available materials.

Specify application and conditions so proper material grade can be supplied.

SIZE		DIMENSIONS								WEIGHTS			
		A		B		C				Short		Long	
		Short & Long		Short & Long		Short		Long		lbs	kgs	lbs	kgs
in	mm	in	mm	in	mm	in	mm	in	mm				
1-1/2	40	3-3/8	86	7/8	22	13/16	21	2-3/8	60	3	1	10	5
2	50	4-1/8	105	1-1/8	29	3/4	19	2-3/8	60	3	1	10	5
2-1/2	65	4-7/8	124	1-3/8	35	3/4	19	2-5/8	67	4	2	13	6
3	80	5-3/8	137	1-3/4	44	3/4	19	2-7/8	73	5	2	15	7
4	100	6-7/8	175	2-5/8	67	3/4	19	2-7/8	73	6	3	20	9
6	150	8-3/4	222	4-5/8	117	1	25	3-7/8	98	12	5	48	22
8	200	11	279	6	152	1-1/8	29	5	127	24	11	100	45
10	250	13-3/8	340	7-3/4	197	1-1/8	29	5-3/4	146	32	15	160	73
12	300	16-1/8	410	9-1/2	241	1-1/2	38	7-1/8	181	62	28	215	98
14	350	17-3/4	451	10-1/2	267	1-3/4	44	7-1/4	184	TBA	TBA	TBA	TBA
16	400	20-1/4	514	12-1/2	318	2	51	7-1/2	191	TBA	TBA	TBA	TBA
18	450	21-5/8	549	14	356	2-1/4	57	8	203	TBA	TBA	TBA	TBA
20	500	23-7/8	606	16	406	2-1/2	64	8-3/4	222	TBA	TBA	TBA	TBA
24	600	28-1/4	718	19-1/4	489	2-3/4	70	8-3/4	222	TBA	TBA	TBA	TBA
30	750	34-3/4	883	24	610	3	76	-	-	TBA	TBA	TBA	TBA
36	900	41-1/4	1048	28-3/4	730	3-1/2	89	14	356	TBA	TBA	TBA	TBA
42	1050	48	1219	33-1/2	851	4-1/4	108	-	-	TBA	TBA	TBA	TBA
60	1500	68-3/8	1737	47-3/4	1213	6	152	-	-	TBA	TBA	TBA	TBA

Certified dimensional drawings are available upon request.

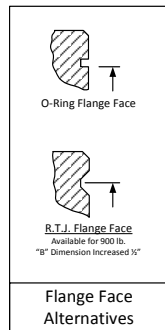
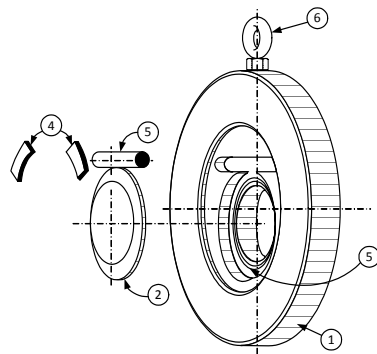
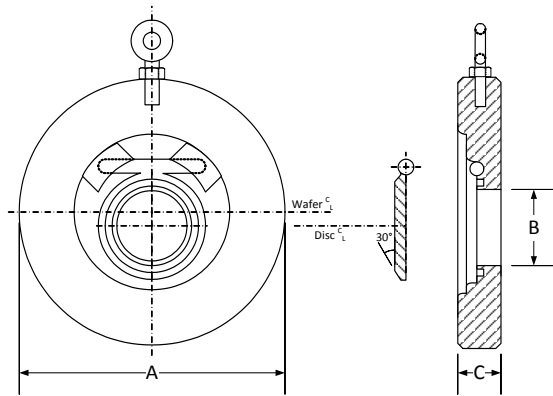
*This table reflects only the nearest metric equivalents.

Seat Material	Operating Temperature**	
	°F	°C
Buna-N	-20 to 250	-29 to 121
Viton	-20 to 400	-29 to 204
EPDM	-40 to 300	-40 to 149

**Subject to limitations of body material.



TECHNICAL DATA
DIMENSIONS AND WEIGHTS



Style SP & Style LP

Short Pattern & Long Pattern

Wafer Check Valve, 300 lb.

Alloy 20

PARTS LIST		
ITEM	DESCRIPTION	MATERIAL
1	Body	Alloy 20
2	Disc	Alloy 20
3	Hinge pin	Stainless Steel (302)
4	Pin retainer	Stainless Steel (302)
5	O-ring	Viton
6	Eye bolt w/ hex nut	Carbon Steel (ASTM A 105)

Above "Standard" Product Number for Short Pattern- **SP4R-A2-A24**

Above "Standard" Product Number for Long Pattern- **LP4R-A2-A24**

Other Options - Reference **C2** for available materials.

Specify application and conditions so proper material grade can be supplied.

SIZE		DIMENSIONS								WEIGHTS			
		A		B		C		C		Short		Long	
		Short & Long		Short & Long		Short		Long		lbs		kgs	
in	mm	in	mm	in	mm	in	mm	in	mm	lbs	kgs	lbs	kgs
2	50	4-3/8	111	1-1/8	29	3/4	19	2-3/8	60	3	1	12	5
2-1/2	65	5-1/8	130	1-3/8	35	3/4	19	2-5/8	67	4	2	15	7
3	80	5-7/8	149	1-3/4	44	3/4	19	2-7/8	73	6	3	18	8
4	100	7-1/8	181	2-5/8	67	3/4	19	2-7/8	73	7	3	25	11
6	150	9-7/8	251	4-5/8	117	7/8	22	3-7/8	98	15	7	58	26
8	200	12-1/8	308	6	152	1-1/8	29	5	127	29	13	120	54
10	250	14-1/4	362	7-3/4	197	1-1/2	38	5-3/4	146	60	27	180	82
12	300	16-5/8	422	9-1/2	241	2	51	7-1/8	181	95	43	235	107
14	350	19-1/8	486	10-1/2	267	2	51	8-3/4	222	TBA	TBA	TBA	TBA
16	400	21-1/4	540	12-1/2	318	2	51	9-1/8	232	TBA	TBA	TBA	TBA
18	450	23-1/2	597	14	356	3	76	10-3/8	264	TBA	TBA	TBA	TBA
20	500	25-3/4	654	16	406	3-1/4	83	11-1/2	292	TBA	TBA	TBA	TBA
24	600	30-1/2	775	19-1/4	489	3-3/4	95	12-1/2	318	TBA	TBA	TBA	TBA
30	750	37-1/2	953	24	610	4-3/4	121	-	-	TBA	TBA	TBA	TBA
36	900	44	1118	28-3/4	730	5-3/4	146	-	-	TBA	TBA	TBA	TBA
42	1050	50-3/4	1289	33-1/2	851	6	152	-	-	TBA	TBA	TBA	TBA

Certified dimensional drawings are available upon request.

†This table reflects only the nearest metric equivalents.

Seat Material	Operating Temperature**	
	°F	°C
Buna-N	-20 to 250	-29 to 121
Viton	-20 to 400	-29 to 204
EPDM	-40 to 300	-40 to 149

**Subject to limitations of body material.



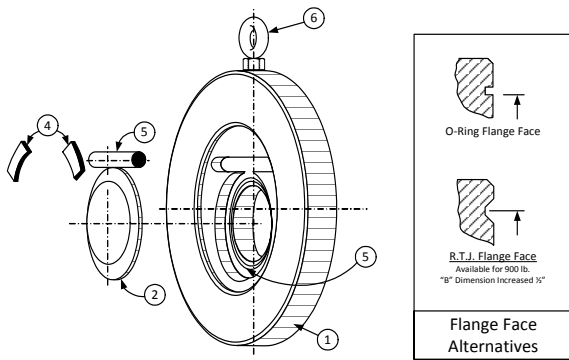
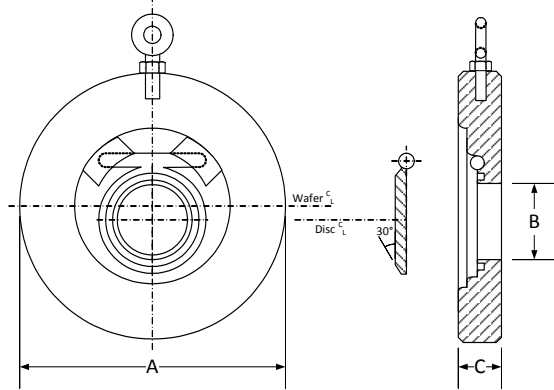
TECHNICAL DATA
DIMENSIONS AND WEIGHTS

Style SP & Style LP

Short Pattern & Long Pattern

Wafer Check Valve, 600 lb.

Alloy 20



PARTS LIST		
ITEM	DESCRIPTION	MATERIAL
1	Body	Alloy 20
2	Disc	Alloy 20
3	Hinge pin	Stainless Steel (302)
4	Pin retainer	Stainless Steel (302)
5	O-ring	Viton
6	Eye bolt w/ hex nut	Carbon Steel (ASTM A 105)

Above "Standard" Product Number for Short Pattern- SP5R-A2-A24

Above "Standard" Product Number for Long Pattern- LP5R-A2-A24

Other Options - Reference C2 for available materials.

Specify application and conditions so proper material grade can be supplied.

SIZE		DIMENSIONS								WEIGHTS			
		A		B		C				Short		Long	
		Short & Long		Short & Long		Short		Long		Short		Long	
in	mm	in	mm	in	mm	in	mm	in	mm	lbs	kgs	lbs	kgs
2	50	4-3/8	111	1	25	3/4	19	2-3/8	60	4	2	12	5
2-1/2	65	5-1/8	130	1-3/8	35	3/4	19	2-5/8	67	6	3	15	7
3	80	5-7/8	149	1-3/4	44	3/4	19	2-7/8	73	7	3	18	8
4	100	7-5/8	194	2-5/8	67	7/8	22	3-1/8	79	12	5	25	11
6	150	10-1/2	267	4	102	1-1/8	29	5-3/8	137	24	11	70	32
8	200	12-5/8	321	5	127	1-1/2	38	6-1/2	165	57	26	160	73
10	250	15-3/4	400	6-7/8	175	2-1/4	57	8-3/8	213	131	59	200	91
12	300	18	457	8-1/2	216	2-3/8	60	9	229	234	106	265	120
14	350	19-3/8	492	9-1/2	241	2-3/8	60	10-3/4	273	TBA	TBA	TBA	TBA
16	400	22-1/4	565	11	279	2-7/8	73	12	305	TBA	TBA	TBA	TBA
18	450	24-1/8	613	12-1/2	318	3-1/8	79	14-1/4	362	TBA	TBA	TBA	TBA
20	500	26-7/8	683	14-1/4	362	3-5/8	92	14-1/2	368	TBA	TBA	TBA	TBA
24	600	31-1/8	791	17-3/8	441	4-1/4	108	-	-	TBA	TBA	TBA	TBA
26	650	34-1/8	867	19	483	4-3/4	121	17-1/4	438	TBA	TBA	TBA	TBA
30	750	38-1/4	972	22	559	5-1/4	133	-	-	TBA	TBA	TBA	TBA
36	900	44-1/2	1130	26-1/2	673	6-1/4	159	-	-	TBA	TBA	TBA	TBA

Certified dimensional drawings are available upon request.

†This table reflects only the nearest metric equivalents.

Seat Material	Operating Temperature**	
	°F	°C
Buna-N	-20 to 250	-29 to 121
Viton	-20 to 400	-29 to 204
EPDM	-40 to 300	-40 to 149

**Subject to limitations of body material.

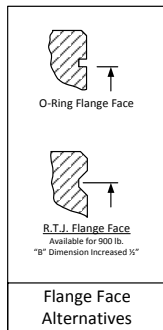
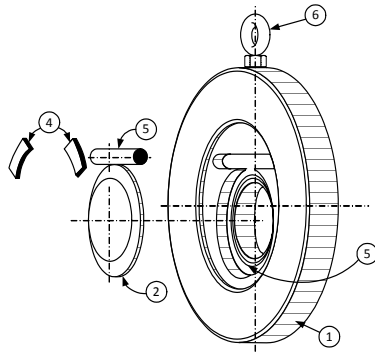
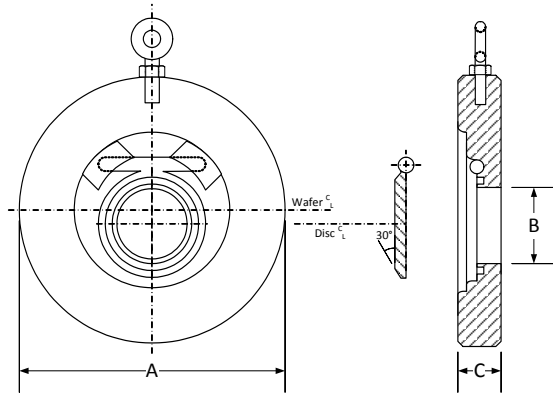


TECHNICAL DATA
DIMENSIONS AND WEIGHTS

Style SP & Style LP

Short Pattern & Long Pattern
Wafer Check Valve, 900 lb.

Alloy 20



PARTS LIST		
ITEM	DESCRIPTION	MATERIAL
1	Body	Alloy 20
2	Disc	Alloy 20
3	Hinge pin	Stainless Steel (302)
4	Pin retainer	Stainless Steel (302)
5	O-ring	Viton
6	Eye bolt w/ hex nut	Carbon Steel (ASTM A 105)

Above "Standard" Product Number for Short Pattern- **SP6R-A2-A24**

Above "Standard" Product Number for Long Pattern- **LP6R-A2-A24**

Other Options - Reference **C2** for available materials.

Specify application and conditions so proper material grade can be supplied.

SIZE		DIMENSIONS								WEIGHTS			
		A		B		C		Short		Long			
		Short & Long		Short & Long		Short		Long		Short		Long	
in	mm	in	mm	in	mm	in	mm	in	mm	lbs	kgs	lbs	kgs
2	50	5-5/8	143	1	25	3/4	19	2-3/4	70	4	2	14	6
2-1/2	65	6-1/2	165	1-3/8	35	3/4	19	3-1/4	83	6	3	16	7
3	80	6-5/8	168	1-3/4	44	3/4	19	3-1/4	83	7	3	22	10
4	100	8-1/8	206	2-5/8	67	7/8	22	4	102	12	5	30	14
6	150	11-3/8	289	4	102	1-3/8	35	6-1/4	159	24	11	82	37
8	200	14-1/8	359	5	127	1-3/4	44	8-1/8	206	57	26	188	85
10	250	17-1/8	435	6-7/8	175	2-1/4	57	9-1/2	241	131	59	225	102
12	300	19-5/8	498	8-1/2	216	2-3/8	60	11-1/2	292	234	106	295	134
14	350	20-1/2	521	9-1/2	241	2-3/4	70	14	356	TBA	TBA	TBA	TBA
16	400	22-5/8	575	11	279	3-1/4	83	15-1/8	384	TBA	TBA	TBA	TBA
18	450	25-1/8	638	12-1/2	318	3-3/4	95	17-3/4	451	TBA	TBA	TBA	TBA
20	500	27-1/2	699	14-1/4	362	4-1/4	108	17-3/4	451	TBA	TBA	TBA	TBA
24	600	33	838	17-3/8	441	5-1/4	133	-	-	TBA	TBA	TBA	TBA
26	650	34-3/4	883	19	483	5-3/4	146	19-1/2	495	TBA	TBA	TBA	TBA
30	750	39-3/4	1010	22	559	6-3/4	171	-	-	TBA	TBA	TBA	TBA
36	900	47-1/4	1200	26-1/2	673	8	203	-	-	TBA	TBA	TBA	TBA

Certified dimensional drawings are available upon request.

†This table reflects only the nearest metric equivalents.

Seat Material	Operating Temperature**	
	°F	°C
Buna-N	-20 to 250	-29 to 121
Viton	-20 to 400	-29 to 204
EPDM	-40 to 300	-40 to 149

**Subject to limitations of body material.



TECHNICAL DATA
DIMENSIONS AND WEIGHTS

Style SP & Style LP

Short Pattern & Long Pattern

Wafer Check Valve, 1500 lb.

Alloy 20

PARTS LIST

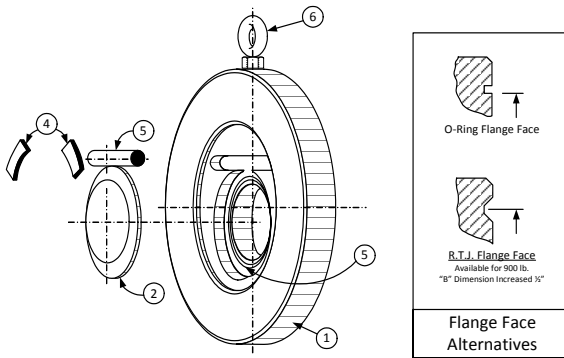
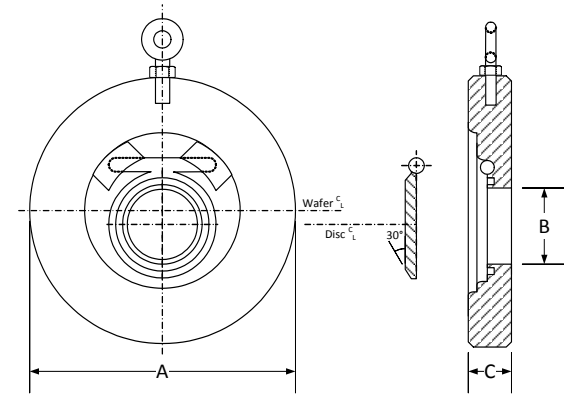
ITEM	DESCRIPTION	MATERIAL
1	Body	Alloy 20
2	Disc	Alloy 20
3	Hinge pin	Stainless Steel (302)
4	Pin retainer	Stainless Steel (302)
5	O-ring	Viton
6	Eye bolt w/ hex nut	Carbon Steel (ASTM A 105)

Above "Standard" Product Number for Short Pattern- **SP7R-A2-A24**

Above "Standard" Product Number for Long Pattern- **LP7R-A2-A24**

Other Options - Reference **C2** for available materials.

Specify application and conditions so proper material grade can be supplied.



SIZE		DIMENSIONS								WEIGHTS			
		A				B				C			
		Short & Long		Short & Long		Short		Long		Short		Long	
in	mm	in	mm	in	mm	in	mm	in	mm	lbs	kgs	lbs	kgs
1-1/2	40	3-7/8	98	7/8	22	3/4	19	2-3/4	70	4	2	14	6
2	50	5-5/8	143	1	25	3/4	19	2-3/4	70	4	2	14	6
3	80	6-7/8	175	1-3/4	44	7/8	22	3-1/4	83	9	4	24	11
4	100	8-1/4	210	2-1/4	57	1-1/4	32	4	102	19	9	35	16
6	150	11-1/8	283	3-3/4	95	1-3/4	44	6-1/4	159	49	22	92	42
8	200	13-7/8	352	4-3/4	121	2-1/4	57	8-1/8	206	74	34	195	88
10	250	17-1/8	435	6-3/4	171	2-7/8	73	9-3/4	248	158	72	245	111
12	300	20-1/2	521	8-1/2	216	3-3/8	86	12	305	255	116	330	150

Certified dimensional drawings are available upon request.

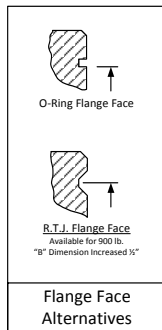
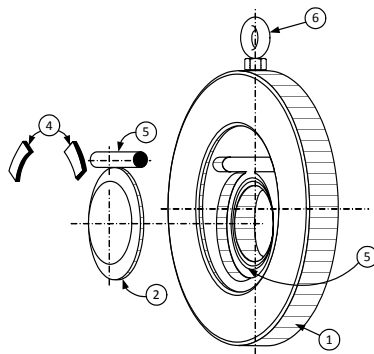
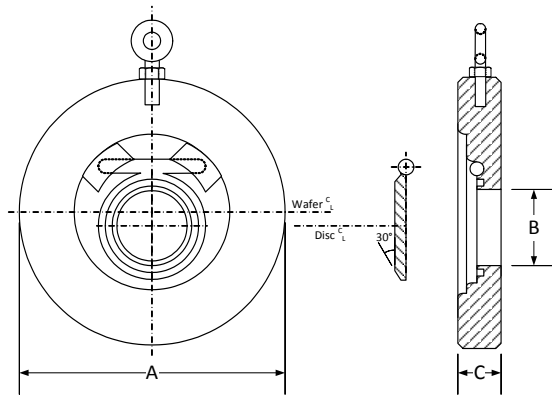
†This table reflects only the nearest metric equivalents.

Seat Material	Operating Temperature**	
	°F	°C
Buna-N	-20 to 250	-29 to 121
Viton	-20 to 400	-29 to 204
EPDM	-40 to 300	-40 to 149

**Subject to limitations of body material.



TECHNICAL DATA
DIMENSIONS AND WEIGHTS



Style SP & Style LP

Short Pattern & Long Pattern

Wafer Check Valve, 150 lb.

Hastelloy C276

PARTS LIST		
ITEM	DESCRIPTION	MATERIAL
1	Body	Hastelloy C276
2	Disc	Hastelloy C276
3	Hinge pin	Stainless Steel (302)
4	Pin retainer	Stainless Steel (302)
5	O-ring	Viton
6	Eye bolt w/ hex nut	Carbon Steel (ASTM A 105)

Above "Standard" Product Number for Short Pattern- SP2R-HC-HC4

Above "Standard" Product Number for Long Pattern- LP2R-HC-HC4

Other Options - Reference C2 for available materials.

Specify application and conditions so proper material grade can be supplied.

SIZE		DIMENSIONS								WEIGHTS			
		A		B		C		Short		Long			
		Short & Long		Short & Long		Short		Long		Short		Long	
in	mm	in	mm	in	mm	in	mm	in	mm	lbs	kgs	lbs	kgs
1-1/2	40	3-3/8	86	7/8	22	13/16	21	2-3/8	60	3	1	10	5
2	50	4-1/8	105	1-1/8	29	3/4	19	2-3/8	60	3	1	10	5
2-1/2	65	4-7/8	124	1-3/8	35	3/4	19	2-5/8	67	4	2	13	6
3	80	5-3/8	137	1-3/4	44	3/4	19	2-7/8	73	5	2	15	7
4	100	6-7/8	175	2-5/8	67	3/4	19	2-7/8	73	6	3	20	9
6	150	8-3/4	222	4-5/8	117	1	25	3-7/8	98	12	5	48	22
8	200	11	279	6	152	1-1/8	29	5	127	24	11	100	45
10	250	13-3/8	340	7-3/4	197	1-1/8	29	5-3/4	146	32	15	160	73
12	300	16-1/8	410	9-1/2	241	1-1/2	38	7-1/8	181	62	28	215	98
14	350	17-3/4	451	10-1/2	267	1-3/4	44	7-1/4	184	TBA	TBA	TBA	TBA
16	400	20-1/4	514	12-1/2	318	2	51	7-1/2	191	TBA	TBA	TBA	TBA
18	450	21-5/8	549	14	356	2-1/4	57	8	203	TBA	TBA	TBA	TBA
20	500	23-7/8	606	16	406	2-1/2	64	8-3/4	222	TBA	TBA	TBA	TBA
24	600	28-1/4	718	19-1/4	489	2-3/4	70	8-3/4	222	TBA	TBA	TBA	TBA
30	750	34-3/4	883	24	610	3	76	-	-	TBA	TBA	TBA	TBA
36	900	41-1/4	1048	28-3/4	730	3-1/2	89	14	356	TBA	TBA	TBA	TBA
42	1050	48	1219	33-1/2	851	4-1/4	108	-	-	TBA	TBA	TBA	TBA
60	1500	68-3/8	1737	47-3/4	1213	6	152	-	-	TBA	TBA	TBA	TBA

Certified dimensional drawings are available upon request.

†This table reflects only the nearest metric equivalents.

Seat Material	Operating Temperature**	
	°F	°C
Buna-N	-20 to 250	-29 to 121
Viton	-20 to 400	-29 to 204
EPDM	-40 to 300	-40 to 149

**Subject to limitations of body material.



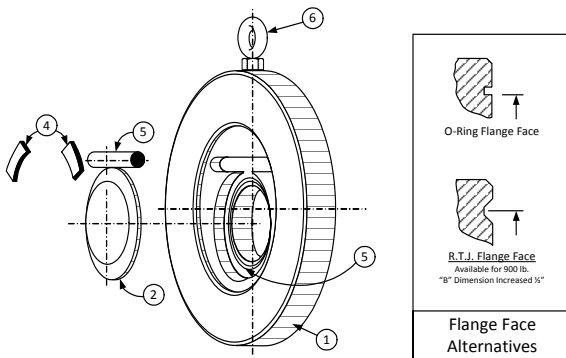
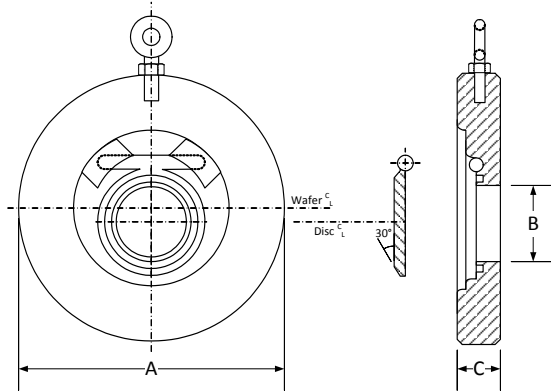
TECHNICAL DATA
DIMENSIONS AND WEIGHTS

Style SP & Style LP

Short Pattern & Long Pattern

Wafer Check Valve, 300 lb.

Hastelloy C276



PARTS LIST		
ITEM	DESCRIPTION	MATERIAL
1	Body	Hastelloy C276
2	Disc	Hastelloy C276
3	Hinge pin	Stainless Steel (302)
4	Pin retainer	Stainless Steel (302)
5	O-ring	Viton
6	Eye bolt w/ hex nut	Carbon Steel (ASTM A 105)

Above "Standard" Product Number for Short Pattern- SP4R-HC-HC4

Above "Standard" Product Number for Long Pattern- LP4R-HC-HC4

Other Options - Reference C2 for available materials.

Specify application and conditions so proper material grade can be supplied.

SIZE		DIMENSIONS								WEIGHTS			
		A		B		C				Short		Long	
		Short & Long		Short & Long		Short		Long		Short		Long	
in	mm	in	mm	in	mm	in	mm	in	mm	lbs	kgs	lbs	kgs
2	50	4-3/8	111	1-1/8	29	3/4	19	2-3/8	60	3	1	12	5
2-1/2	65	5-1/8	130	1-3/8	35	3/4	19	2-5/8	67	4	2	15	7
3	80	5-7/8	149	1-3/4	44	3/4	19	2-7/8	73	6	3	18	8
4	100	7-1/8	181	2-5/8	67	3/4	19	2-7/8	73	7	3	25	11
6	150	9-7/8	251	4-5/8	117	7/8	22	3-7/8	98	15	7	58	26
8	200	12-1/8	308	6	152	1-1/8	29	5	127	29	13	120	54
10	250	14-1/4	362	7-3/4	197	1-1/2	38	5-3/4	146	60	27	180	82
12	300	16-5/8	422	9-1/2	241	2	51	7-1/8	181	95	43	235	107
14	350	19-1/8	486	10-1/2	267	2	51	8-3/4	222	TBA	TBA	TBA	TBA
16	400	21-1/4	540	12-1/2	318	2	51	9-1/8	232	TBA	TBA	TBA	TBA
18	450	23-1/2	597	14	356	3	76	10-3/8	264	TBA	TBA	TBA	TBA
20	500	25-3/4	654	16	406	3-1/4	83	11-1/2	292	TBA	TBA	TBA	TBA
24	600	30-1/2	775	19-1/4	489	3-3/4	95	12-1/2	318	TBA	TBA	TBA	TBA
30	750	37-1/2	953	24	610	4-3/4	121	-	-	TBA	TBA	TBA	TBA
36	900	44	1118	28-3/4	730	5-3/4	146	-	-	TBA	TBA	TBA	TBA
42	1050	50-3/4	1289	33-1/2	851	6	152	-	-	TBA	TBA	TBA	TBA

Certified dimensional drawings are available upon request.

†This table reflects only the nearest metric equivalents.

Seat Material	Operating Temperature**	
	°F	°C
Buna-N	-20 to 250	-29 to 121
Viton	-20 to 400	-29 to 204
EPDM	-40 to 300	-40 to 149

**Subject to limitations of body material.



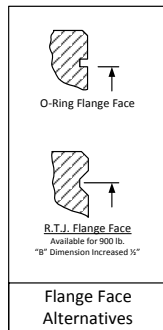
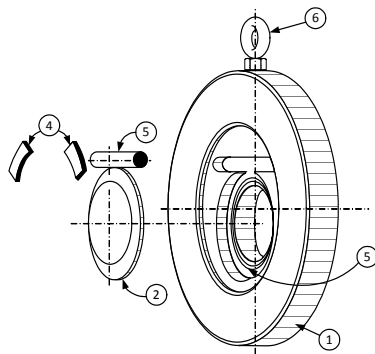
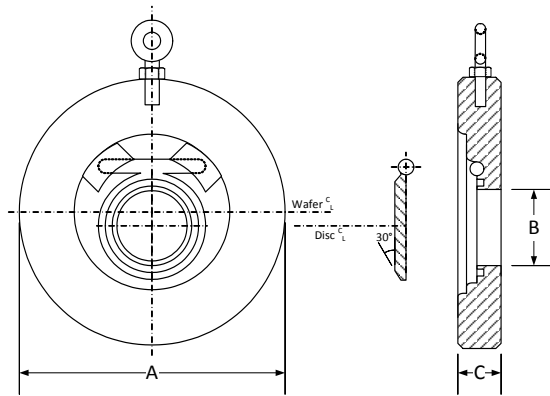
TECHNICAL DATA
DIMENSIONS AND WEIGHTS

Style SP & Style LP

Short Pattern & Long Pattern

Wafer Check Valve, 600 lb.

Hastelloy C276



PARTS LIST		
ITEM	DESCRIPTION	MATERIAL
1	Body	Hastelloy C276
2	Disc	Hastelloy C276
3	Hinge pin	Stainless Steel (302)
4	Pin retainer	Stainless Steel (302)
5	O-ring	Viton
6	Eye bolt w/ hex nut	Carbon Steel (ASTM A 105)

Above "Standard" Product Number for Short Pattern- SP5R-HC-HC4

Above "Standard" Product Number for Long Pattern- LP5R-HC-HC4

Other Options - Reference C2 for available materials.

Specify application and conditions so proper material grade can be supplied.

SIZE		DIMENSIONS								WEIGHTS			
		A		B		C		Short		Long			
		Short & Long		Short & Long		Short		Long		Short		Long	
in	mm	in	mm	in	mm	in	mm	in	mm	lbs	kgs	lbs	kgs
2	50	4-3/8	111	1	25	3/4	19	2-3/8	60	4	2	12	5
2-1/2	65	5-1/8	130	1-3/8	35	3/4	19	2-5/8	67	6	3	15	7
3	80	5-7/8	149	1-3/4	44	3/4	19	2-7/8	73	7	3	18	8
4	100	7-5/8	194	2-5/8	67	7/8	22	3-1/8	79	12	5	25	11
6	150	10-1/2	267	4	102	1-1/8	29	5-3/8	137	24	11	70	32
8	200	12-5/8	321	5	127	1-1/2	38	6-1/2	165	57	26	160	73
10	250	15-3/4	400	6-7/8	175	2-1/4	57	8-3/8	213	131	59	200	91
12	300	18	457	8-1/2	216	2-3/8	60	9	229	234	106	265	120
14	350	19-3/8	492	9-1/2	241	2-3/8	60	10-3/4	273	TBA	TBA	TBA	TBA
16	400	22-1/4	565	11	279	2-7/8	73	12	305	TBA	TBA	TBA	TBA
18	450	24-1/8	613	12-1/2	318	3-1/8	79	14-1/4	362	TBA	TBA	TBA	TBA
20	500	26-7/8	683	14-1/4	362	3-5/8	92	14-1/2	368	TBA	TBA	TBA	TBA
24	600	31-1/8	791	17-3/8	441	4-1/4	108	-	-	TBA	TBA	TBA	TBA
26	650	34-1/8	867	19	483	4-3/4	121	17-1/4	438	TBA	TBA	TBA	TBA
30	750	38-1/4	972	22	559	5-1/4	133	-	-	TBA	TBA	TBA	TBA
36	900	44-1/2	1130	26-1/2	673	6-1/4	159	-	-	TBA	TBA	TBA	TBA

Certified dimensional drawings are available upon request.

†This table reflects only the nearest metric equivalents.

Seat Material	Operating Temperature**	
	°F	°C
Buna-N	-20 to 250	-29 to 121
Viton	-20 to 400	-29 to 204
EPDM	-40 to 300	-40 to 149

**Subject to limitations of body material.



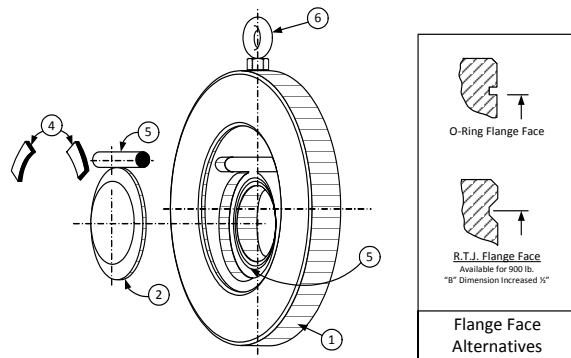
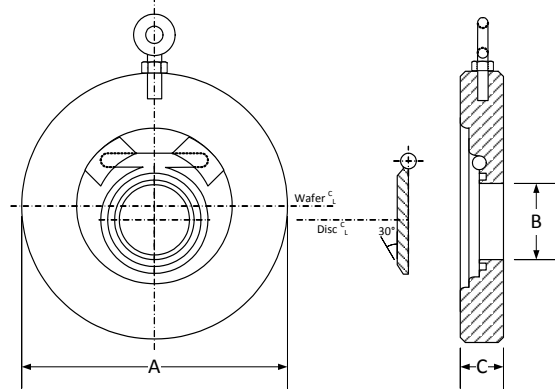
TECHNICAL DATA
DIMENSIONS AND WEIGHTS

Style SP & Style LP

Short Pattern & Long Pattern

Wafer Check Valve, 900 lb.

Hastelloy C276



PARTS LIST		
ITEM	DESCRIPTION	MATERIAL
1	Body	Hastelloy C276
2	Disc	Hastelloy C276
3	Hinge pin	Stainless Steel (302)
4	Pin retainer	Stainless Steel (302)
5	O-ring	Viton
6	Eye bolt w/ hex nut	Carbon Steel (ASTM A 105)

Above "Standard" Product Number for Short Pattern- SP6R-HC-HC4

Above "Standard" Product Number for Long Pattern- LP6R-HC-HC4

Other Options - Reference C2 for available materials.

Specify application and conditions so proper material grade can be supplied.

SIZE		DIMENSIONS								WEIGHTS			
		A		B		C				Short		Long	
		Short & Long		Short & Long		Short		Long		lbs	kgs	lbs	kgs
in	mm	in	mm	in	mm	in	mm	in	mm				
2	50	5-5/8	143	1	25	3/4	19	2-3/4	70	4	2	14	6
2-1/2	65	6-1/2	165	1-3/8	35	3/4	19	3-1/4	83	6	3	16	7
3	80	6-5/8	168	1-3/4	44	3/4	19	3-1/4	83	7	3	22	10
4	100	8-1/8	206	2-5/8	67	7/8	22	4	102	12	5	30	14
6	150	11-3/8	289	4	102	1-3/8	35	6-1/4	159	24	11	82	37
8	200	14-1/8	359	5	127	1-3/4	44	8-1/8	206	57	26	188	85
10	250	17-1/8	435	6-7/8	175	2-1/4	57	9-1/2	241	131	59	225	102
12	300	19-5/8	498	8-1/2	216	2-3/8	60	11-1/2	292	234	106	295	134
14	350	20-1/2	521	9-1/2	241	2-3/4	70	14	356	TBA	TBA	TBA	TBA
16	400	22-5/8	575	11	279	3-1/4	83	15-1/8	384	TBA	TBA	TBA	TBA
18	450	25-1/8	638	12-1/2	318	3-3/4	95	17-3/4	451	TBA	TBA	TBA	TBA
20	500	27-1/2	699	14-1/4	362	4-1/4	108	17-3/4	451	TBA	TBA	TBA	TBA
24	600	33	838	17-3/8	441	5-1/4	133	-	-	TBA	TBA	TBA	TBA
26	650	34-3/4	883	19	483	5-3/4	146	19-1/2	495	TBA	TBA	TBA	TBA
30	750	39-3/4	1010	22	559	6-3/4	171	-	-	TBA	TBA	TBA	TBA
36	900	47-1/4	1200	26-1/2	673	8	203	-	-	TBA	TBA	TBA	TBA

Certified dimensional drawings are available upon request.

†This table reflects only the nearest metric equivalents.

Seat Material	Operating Temperature**	
	°F	°C
Buna-N	-20 to 250	-29 to 121
Viton	-20 to 400	-29 to 204
EPDM	-40 to 300	-40 to 149

**Subject to limitations of body material.

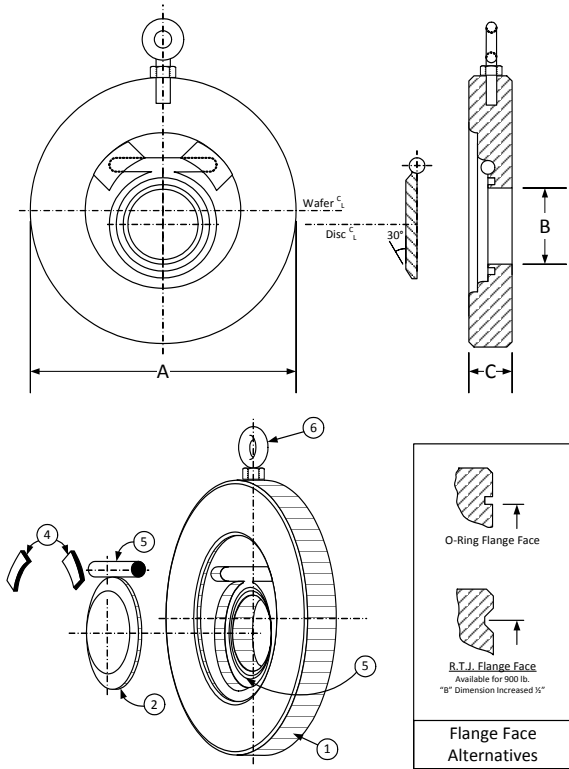


TECHNICAL DATA
DIMENSIONS AND WEIGHTS

Style SP & Style LP

Short Pattern & Long Pattern
Wafer Check Valve, 1500 lb.

Hastelloy C276



PARTS LIST		
ITEM	DESCRIPTION	MATERIAL
1	Body	Hastelloy C276
2	Disc	Hastelloy C276
3	Hinge pin	Stainless Steel (302)
4	Pin retainer	Stainless Steel (302)
5	O-ring	Viton
6	Eye bolt w/ hex nut	Carbon Steel (ASTM A 105)

Above "Standard" Product Number for Short Pattern- SP7R-HC-HC4

Above "Standard" Product Number for Long Pattern- LP7R-HC-HC4

Other Options - Reference C2 for available materials.

Specify application and conditions so proper material grade can be supplied.

SIZE		DIMENSIONS								WEIGHTS			
		A		B		C		Short		Long			
		Short & Long	Short & Long	Short & Long	Short	Long	Short	Long					
in	mm	in	mm	in	mm	in	mm	in	mm	lbs	kgs	lbs	kgs
1-1/2	40	3-7/8	98	7/8	22	3/4	19	2-3/4	70	4	2	14	6
2	50	5-5/8	143	1	25	3/4	19	2-3/4	70	4	2	14	6
3	80	6-7/8	175	1-3/4	44	7/8	22	3-1/4	83	9	4	24	11
4	100	8-1/4	210	2-1/4	57	1-1/4	32	4	102	19	9	35	16
6	150	11-1/8	283	3-3/4	95	1-3/4	44	6-1/4	159	49	22	92	42
8	200	13-7/8	352	4-3/4	121	2-1/4	57	8-1/8	206	74	34	195	88
10	250	17-1/8	435	6-3/4	171	2-7/8	73	9-3/4	248	158	72	245	111
12	300	20-1/2	521	8-1/2	216	3-3/8	86	12	305	255	116	330	150

Certified dimensional drawings are available upon request.

†This table reflects only the nearest metric equivalents.

Seat Material	Operating Temperature**	
	°F	°C
Buna-N	-20 to 250	-29 to 121
Viton	-20 to 400	-29 to 204
EPDM	-40 to 300	-40 to 149

**Subject to limitations of body material.

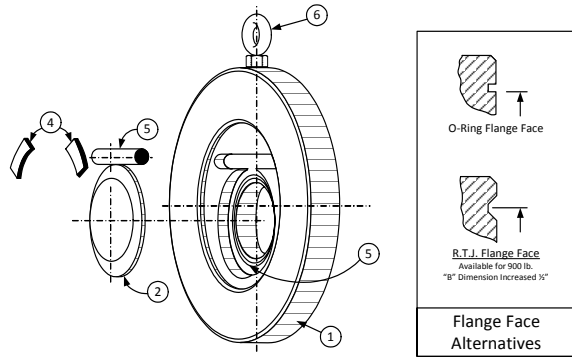
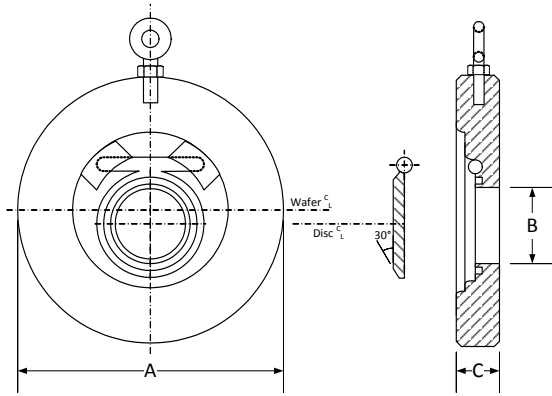


TECHNICAL DATA
DIMENSIONS AND WEIGHTS

Style SP & Style LP

Short Pattern & Long Pattern
Wafer Check Valve, 150 lb.

Monel



PARTS LIST		
ITEM	DESCRIPTION	MATERIAL
1	Body	Monel
2	Disc	Monel
3	Hinge pin	Stainless Steel (302)
4	Pin retainer	Stainless Steel (302)
5	O-ring	Viton
6	Eye bolt w/ hex nut	Carbon Steel (ASTM A 105)

Above "Standard" Product Number for Short Pattern- SP2R-ML-ML4

Above "Standard" Product Number for Long Pattern- LP2R-ML-ML4

Other Options - Reference C2 for available materials.

Specify application and conditions so proper material grade can be supplied.

SIZE		DIMENSIONS								WEIGHTS			
		A		B		C				Short		Long	
		Short & Long		Short & Long		Short		Long		lbs	kgs	lbs	kgs
in	mm	in	mm	in	mm	in	mm	in	mm				
1-1/2	40	3-3/8	86	7/8	22	13/16	21	2-3/8	60	3	1	10	5
2	50	4-1/8	105	1-1/8	29	3/4	19	2-3/8	60	3	1	10	5
2-1/2	65	4-7/8	124	1-3/8	35	3/4	19	2-5/8	67	4	2	13	6
3	80	5-3/8	137	1-3/4	44	3/4	19	2-7/8	73	5	2	15	7
4	100	6-7/8	175	2-5/8	67	3/4	19	2-7/8	73	6	3	20	9
6	150	8-3/4	222	4-5/8	117	1	25	3-7/8	98	12	5	48	22
8	200	11	279	6	152	1-1/8	29	5	127	24	11	100	45
10	250	13-3/8	340	7-3/4	197	1-1/8	29	5-3/4	146	32	15	160	73
12	300	16-1/8	410	9-1/2	241	1-1/2	38	7-1/8	181	62	28	215	98
14	350	17-3/4	451	10-1/2	267	1-3/4	44	7-1/4	184	TBA	TBA	TBA	TBA
16	400	20-1/4	514	12-1/2	318	2	51	7-1/2	191	TBA	TBA	TBA	TBA
18	450	21-5/8	549	14	356	2-1/4	57	8	203	TBA	TBA	TBA	TBA
20	500	23-7/8	606	16	406	2-1/2	64	8-3/4	222	TBA	TBA	TBA	TBA
24	600	28-1/4	718	19-1/4	489	2-3/4	70	8-3/4	222	TBA	TBA	TBA	TBA
30	750	34-3/4	883	24	610	3	76	-	-	TBA	TBA	TBA	TBA
36	900	41-1/4	1048	28-3/4	730	3-1/2	89	14	356	TBA	TBA	TBA	TBA
42	1050	48	1219	33-1/2	851	4-1/4	108	-	-	TBA	TBA	TBA	TBA
60	1500	68-3/8	1737	47-3/4	1213	6	152	-	-	TBA	TBA	TBA	TBA

Certified dimensional drawings are available upon request.

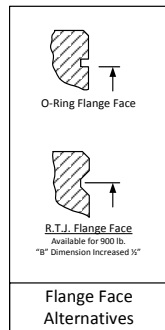
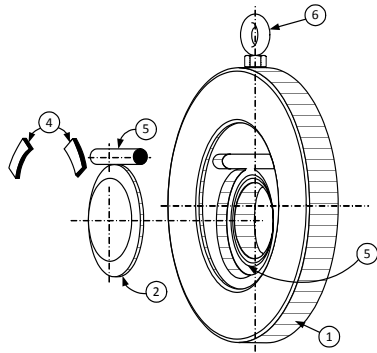
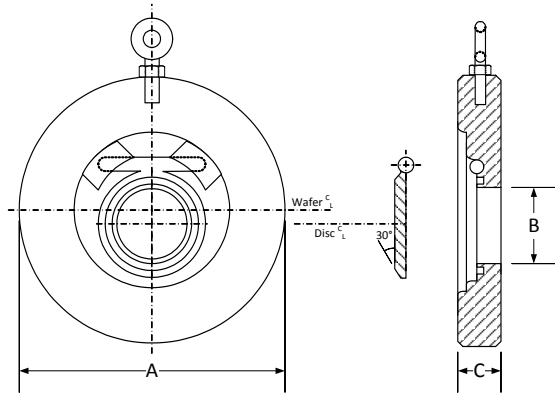
*This table reflects only the nearest metric equivalents.

Seat Material	Operating Temperature**	
	°F	°C
Buna-N	-20 to 250	-29 to 121
Viton	-20 to 400	-29 to 204
EPDM	-40 to 300	-40 to 149

**Subject to limitations of body material.



TECHNICAL DATA
DIMENSIONS AND WEIGHTS



Style SP & Style LP

Short Pattern & Long Pattern

Wafer Check Valve, 300 lb.

Monel

PARTS LIST		
ITEM	DESCRIPTION	MATERIAL
1	Body	Monel
2	Disc	Monel
3	Hinge pin	Stainless Steel (302)
4	Pin retainer	Stainless Steel (302)
5	O-ring	Viton
6	Eye bolt w/ hex nut	Carbon Steel (ASTM A 105)

Above "Standard" Product Number for Short Pattern- SP4R-ML-ML4

Above "Standard" Product Number for Long Pattern- LP4R-ML-ML4

Other Options - Reference C2 for available materials.

Specify application and conditions so proper material grade can be supplied.

SIZE		DIMENSIONS								WEIGHTS			
		A		B		C		Short		Long			
		Short & Long		Short & Long		Short		Long		Short		Long	
in	mm	in	mm	in	mm	in	mm	in	mm	lbs	kgs	lbs	kgs
2	50	4-3/8	111	1-1/8	29	3/4	19	2-3/8	60	3	1	12	5
2-1/2	65	5-1/8	130	1-3/8	35	3/4	19	2-5/8	67	4	2	15	7
3	80	5-7/8	149	1-3/4	44	3/4	19	2-7/8	73	6	3	18	8
4	100	7-1/8	181	2-5/8	67	3/4	19	2-7/8	73	7	3	25	11
6	150	9-7/8	251	4-5/8	117	7/8	22	3-7/8	98	15	7	58	26
8	200	12-1/8	308	6	152	1-1/8	29	5	127	29	13	120	54
10	250	14-1/4	362	7-3/4	197	1-1/2	38	5-3/4	146	60	27	180	82
12	300	16-5/8	422	9-1/2	241	2	51	7-1/8	181	95	43	235	107
14	350	19-1/8	486	10-1/2	267	2	51	8-3/4	222	TBA	TBA	TBA	TBA
16	400	21-1/4	540	12-1/2	318	2	51	9-1/8	232	TBA	TBA	TBA	TBA
18	450	23-1/2	597	14	356	3	76	10-3/8	264	TBA	TBA	TBA	TBA
20	500	25-3/4	654	16	406	3-1/4	83	11-1/2	292	TBA	TBA	TBA	TBA
24	600	30-1/2	775	19-1/4	489	3-3/4	95	12-1/2	318	TBA	TBA	TBA	TBA
30	750	37-1/2	953	24	610	4-3/4	121	-	-	TBA	TBA	TBA	TBA
36	900	44	1118	28-3/4	730	5-3/4	146	-	-	TBA	TBA	TBA	TBA
42	1050	50-3/4	1289	33-1/2	851	6	152	-	-	TBA	TBA	TBA	TBA

Certified dimensional drawings are available upon request.

†This table reflects only the nearest metric equivalents.

Seat Material	Operating Temperature**	
	°F	°C
Buna-N	-20 to 250	-29 to 121
Viton	-20 to 400	-29 to 204
EPDM	-40 to 300	-40 to 149

**Subject to limitations of body material.

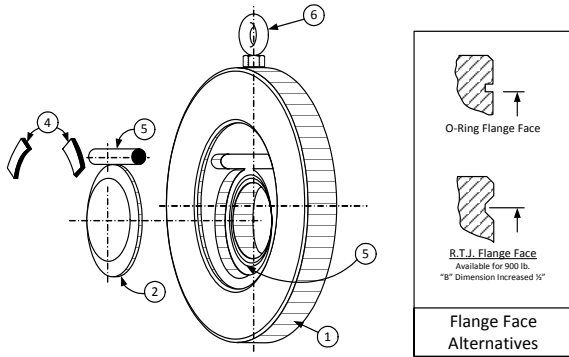
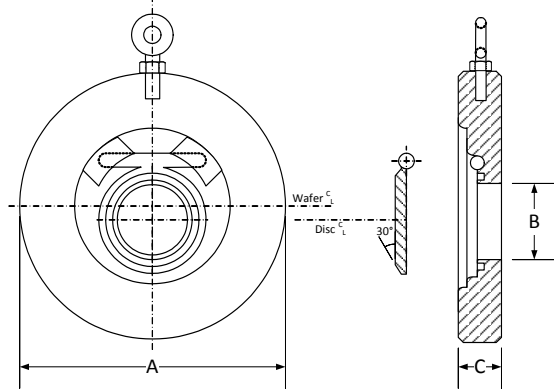


TECHNICAL DATA
DIMENSIONS AND WEIGHTS

Style SP & Style LP

Short Pattern & Long Pattern
Wafer Check Valve, 600 lb.

Monel



PARTS LIST		
ITEM	DESCRIPTION	MATERIAL
1	Body	Monel
2	Disc	Monel
3	Hinge pin	Stainless Steel (302)
4	Pin retainer	Stainless Steel (302)
5	O-ring	Viton
6	Eye bolt w/ hex nut	Carbon Steel (ASTM A 105)

Above "Standard" Product Number for Short Pattern- SP5R-ML-ML4

Above "Standard" Product Number for Long Pattern- LP5R-ML-ML4

Other Options - Reference C2 for available materials.

Specify application and conditions so proper material grade can be supplied.

SIZE		DIMENSIONS								WEIGHTS			
		A		B		C				Short		Long	
		Short & Long		Short & Long		Short		Long		lbs	kgs	lbs	kgs
in	mm	in	mm	in	mm	in	mm	in	mm				
2	50	4-3/8	111	1	25	3/4	19	2-3/8	60	4	2	12	5
2-1/2	65	5-1/8	130	1-3/8	35	3/4	19	2-5/8	67	6	3	15	7
3	80	5-7/8	149	1-3/4	44	3/4	19	2-7/8	73	7	3	18	8
4	100	7-5/8	194	2-5/8	67	7/8	22	3-1/8	79	12	5	25	11
6	150	10-1/2	267	4	102	1-1/8	29	5-3/8	137	24	11	70	32
8	200	12-5/8	321	5	127	1-1/2	38	6-1/2	165	57	26	160	73
10	250	15-3/4	400	6-7/8	175	2-1/4	57	8-3/8	213	131	59	200	91
12	300	18	457	8-1/2	216	2-3/8	60	9	229	234	106	265	120
14	350	19-3/8	492	9-1/2	241	2-3/8	60	10-3/4	273	TBA	TBA	TBA	TBA
16	400	22-1/4	565	11	279	2-7/8	73	12	305	TBA	TBA	TBA	TBA
18	450	24-1/8	613	12-1/2	318	3-1/8	79	14-1/4	362	TBA	TBA	TBA	TBA
20	500	26-7/8	683	14-1/4	362	3-5/8	92	14-1/2	368	TBA	TBA	TBA	TBA
24	600	31-1/8	791	17-3/8	441	4-1/4	108	-	-	TBA	TBA	TBA	TBA
26	650	34-1/8	867	19	483	4-3/4	121	17-1/4	438	TBA	TBA	TBA	TBA
30	750	38-1/4	972	22	559	5-1/4	133	-	-	TBA	TBA	TBA	TBA
36	900	44-1/2	1130	26-1/2	673	6-1/4	159	-	-	TBA	TBA	TBA	TBA

Certified dimensional drawings are available upon request.

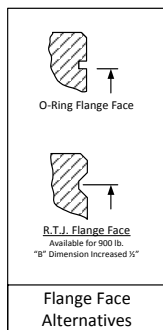
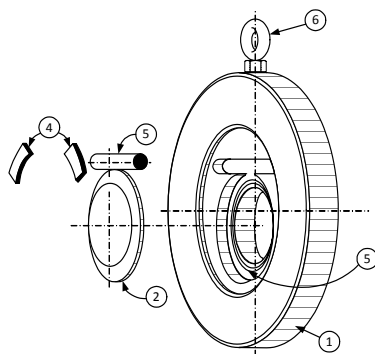
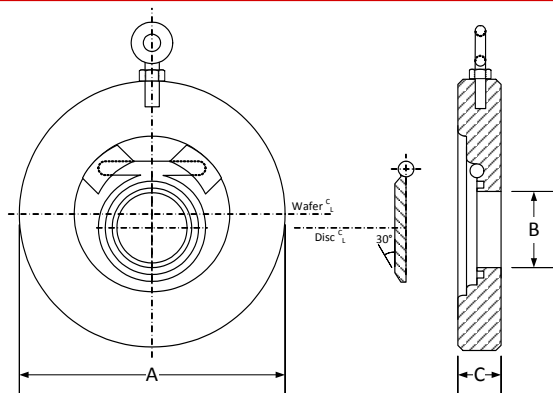
†This table reflects only the nearest metric equivalents.

Seat Material	Operating Temperature**	
	°F	°C
Buna-N	-20 to 250	-29 to 121
Viton	-20 to 400	-29 to 204
EPDM	-40 to 300	-40 to 149

**Subject to limitations of body material.



TECHNICAL DATA
DIMENSIONS AND WEIGHTS



Style SP & Style LP

Short Pattern & Long Pattern
Wafer Check Valve, 900 lb.

Monel

PARTS LIST		
ITEM	DESCRIPTION	MATERIAL
1	Body	Monel
2	Disc	Monel
3	Hinge pin	Stainless Steel (302)
4	Pin retainer	Stainless Steel (302)
5	O-ring	Viton
6	Eye bolt w/ hex nut	Carbon Steel (ASTM A 105)

Above "Standard" Product Number for Short Pattern- **SP6R-ML-ML4**

Above "Standard" Product Number for Long Pattern- **LP6R-ML-ML4**

Other Options - Reference **C2** for available materials.

Specify application and conditions so proper material grade can be supplied.

SIZE		DIMENSIONS								WEIGHTS			
		A		B		C		Short		Long			
		Short & Long		Short & Long		Short		Long		Short		Long	
in	mm	in	mm	in	mm	in	mm	in	mm	lbs	kgs	lbs	kgs
2	50	5-5/8	143	1	25	3/4	19	2-3/4	70	4	2	14	6
2-1/2	65	6-1/2	165	1-3/8	35	3/4	19	3-1/4	83	6	3	16	7
3	80	6-5/8	168	1-3/4	44	3/4	19	3-1/4	83	7	3	22	10
4	100	8-1/8	206	2-5/8	67	7/8	22	4	102	12	5	30	14
6	150	11-3/8	289	4	102	1-3/8	35	6-1/4	159	24	11	82	37
8	200	14-1/8	359	5	127	1-3/4	44	8-1/8	206	57	26	188	85
10	250	17-1/8	435	6-7/8	175	2-1/4	57	9-1/2	241	131	59	225	102
12	300	19-5/8	498	8-1/2	216	2-3/8	60	11-1/2	292	234	106	295	134
14	350	20-1/2	521	9-1/2	241	2-3/4	70	14	356	TBA	TBA	TBA	TBA
16	400	22-5/8	575	11	279	3-1/4	83	15-1/8	384	TBA	TBA	TBA	TBA
18	450	25-1/8	638	12-1/2	318	3-3/4	95	17-3/4	451	TBA	TBA	TBA	TBA
20	500	27-1/2	699	14-1/4	362	4-1/4	108	17-3/4	451	TBA	TBA	TBA	TBA
24	600	33	838	17-3/8	441	5-1/4	133	-	-	TBA	TBA	TBA	TBA
26	650	34-3/4	883	19	483	5-3/4	146	19-1/2	495	TBA	TBA	TBA	TBA
30	750	39-3/4	1010	22	559	6-3/4	171	-	-	TBA	TBA	TBA	TBA
36	900	47-1/4	1200	26-1/2	673	8	203	-	-	TBA	TBA	TBA	TBA

Certified dimensional drawings are available upon request.

†This table reflects only the nearest metric equivalents.

Seat Material	Operating Temperature**	
	°F	°C
Buna-N	-20 to 250	-29 to 121
Viton	-20 to 400	-29 to 204
EPDM	-40 to 300	-40 to 149

**Subject to limitations of body material.



TECHNICAL DATA
DIMENSIONS AND WEIGHTS

Style SP & Style LP

Short Pattern & Long Pattern
Wafer Check Valve, 1500 lb.

Monel

PARTS LIST

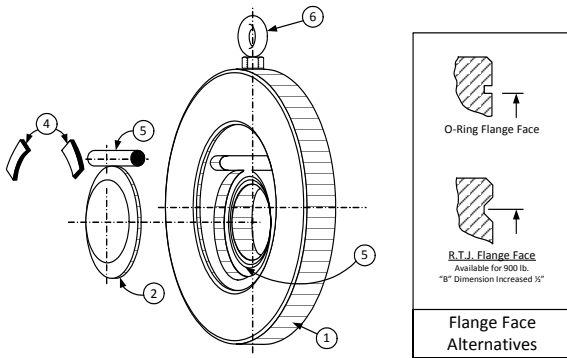
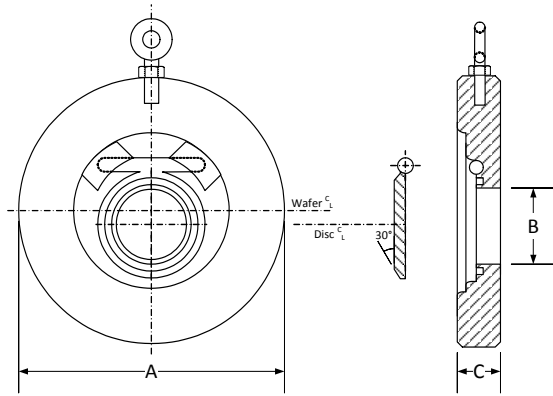
ITEM	DESCRIPTION	MATERIAL
1	Body	Monel
2	Disc	Monel
3	Hinge pin	Stainless Steel (302)
4	Pin retainer	Stainless Steel (302)
5	O-ring	Viton
6	Eye bolt w/ hex nut	Carbon Steel (ASTM A 105)

Above "Standard" Product Number for Short Pattern- SP7R-ML-ML4

Above "Standard" Product Number for Long Pattern- LP7R-ML-ML4

Other Options - Reference C2 for available materials.

Specify application and conditions so proper material grade can be supplied.



SIZE		DIMENSIONS								WEIGHTS			
		A				B				C			
		Short & Long		Short & Long		Short		Long		Short		Long	
in	mm	in	mm	in	mm	in	mm	in	mm	lbs	kgs	lbs	kgs
1-1/2	40	3-7/8	98	7/8	22	3/4	19	2-3/4	70	4	2	14	6
2	50	5-5/8	143	1	25	3/4	19	2-3/4	70	4	2	14	6
3	80	6-7/8	175	1-3/4	44	7/8	22	3-1/4	83	9	4	24	11
4	100	8-1/4	210	2-1/4	57	1-1/4	32	4	102	19	9	35	16
6	150	11-1/8	283	3-3/4	95	1-3/4	44	6-1/4	159	49	22	92	42
8	200	13-7/8	352	4-3/4	121	2-1/4	57	8-1/8	206	74	34	195	88
10	250	17-1/8	435	6-3/4	171	2-7/8	73	9-3/4	248	158	72	245	111
12	300	20-1/2	521	8-1/2	216	3-3/8	86	12	305	255	116	330	150

Certified dimensional drawings are available upon request.

†This table reflects only the nearest metric equivalents.

Seat Material	Operating Temperature**	
	°F	°C
Buna-N	-20 to 250	-29 to 121
Viton	-20 to 400	-29 to 204
EPDM	-40 to 300	-40 to 149

**Subject to limitations of body material.



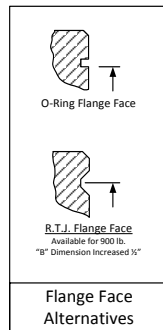
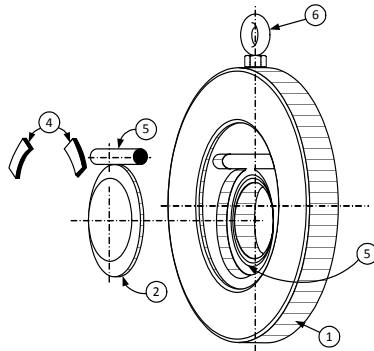
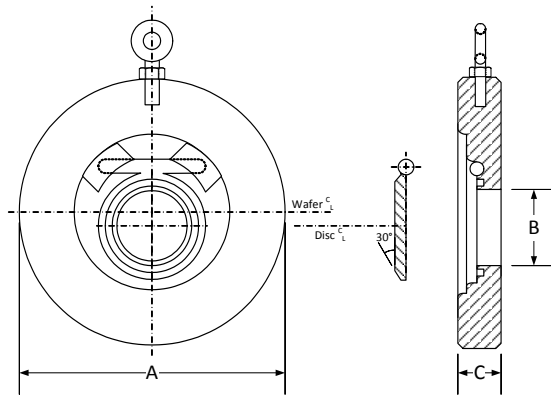
TECHNICAL DATA
DIMENSIONS AND WEIGHTS

Style SP & Style LP

Short Pattern & Long Pattern

Wafer Check Valve, 150 lb.

Titanium



PARTS LIST

ITEM	DESCRIPTION	MATERIAL
1	Body	Titanium
2	Disc	Titanium
3	Hinge pin	Stainless Steel (302)
4	Pin retainer	Stainless Steel (302)
5	O-ring	Viton
6	Eye bolt w/ hex nut	Carbon Steel (ASTM A 105)

Above "Standard" Product Number for Short Pattern- SP2R-TI-TI4

Above "Standard" Product Number for Long Pattern- LP2R-TI-TI4

Other Options - Reference C2 for available materials.

Specify application and conditions so proper material grade can be supplied.

SIZE		DIMENSIONS								WEIGHTS			
		A		B		C		Short		Long			
		Short & Long		Short & Long		Short		Long		Short		Long	
in	mm	in	mm	in	mm	in	mm	in	mm	lbs	kgs	lbs	kgs
1-1/2	40	3-3/8	86	7/8	22	13/16	21	2-3/8	60	3	1	10	5
2	50	4-1/8	105	1-1/8	29	3/4	19	2-3/8	60	3	1	10	5
2-1/2	65	4-7/8	124	1-3/8	35	3/4	19	2-5/8	67	4	2	13	6
3	80	5-3/8	137	1-3/4	44	3/4	19	2-7/8	73	5	2	15	7
4	100	6-7/8	175	2-5/8	67	3/4	19	2-7/8	73	6	3	20	9
6	150	8-3/4	222	4-5/8	117	1	25	3-7/8	98	12	5	48	22
8	200	11	279	6	152	1-1/8	29	5	127	24	11	100	45
10	250	13-3/8	340	7-3/4	197	1-1/8	29	5-3/4	146	32	15	160	73
12	300	16-1/8	410	9-1/2	241	1-1/2	38	7-1/8	181	62	28	215	98
14	350	17-3/4	451	10-1/2	267	1-3/4	44	7-1/4	184	TBA	TBA	TBA	TBA
16	400	20-1/4	514	12-1/2	318	2	51	7-1/2	191	TBA	TBA	TBA	TBA
18	450	21-5/8	549	14	356	2-1/4	57	8	203	TBA	TBA	TBA	TBA
20	500	23-7/8	606	16	406	2-1/2	64	8-3/4	222	TBA	TBA	TBA	TBA
24	600	28-1/4	718	19-1/4	489	2-3/4	70	8-3/4	222	TBA	TBA	TBA	TBA
30	750	34-3/4	883	24	610	3	76	-	-	TBA	TBA	TBA	TBA
36	900	41-1/4	1048	28-3/4	730	3-1/2	89	14	356	TBA	TBA	TBA	TBA
42	1050	48	1219	33-1/2	851	4-1/4	108	-	-	TBA	TBA	TBA	TBA
60	1500	68-3/8	1737	47-3/4	1213	6	152	-	-	TBA	TBA	TBA	TBA

Certified dimensional drawings are available upon request.

†This table reflects only the nearest metric equivalents.

Seat Material	Operating Temperature**	
	°F	°C
Buna-N	-20 to 250	-29 to 121
Viton	-20 to 400	-29 to 204
EPDM	-40 to 300	-40 to 149

**Subject to limitations of body material.



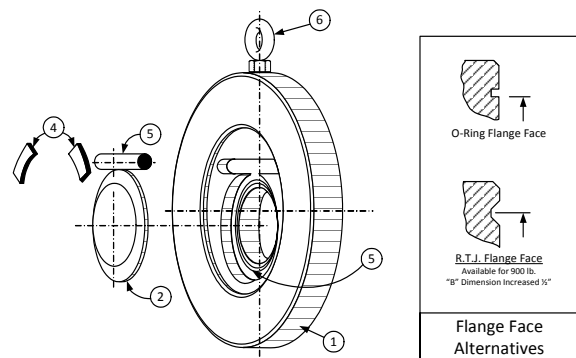
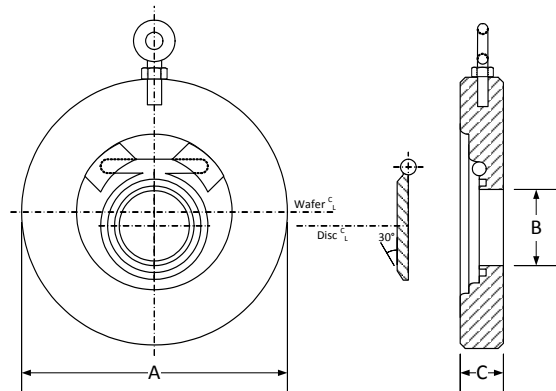
TECHNICAL DATA
DIMENSIONS AND WEIGHTS

Style SP & Style LP

Short Pattern & Long Pattern

Wafer Check Valve, 300 lb.

Titanium



PARTS LIST		
ITEM	DESCRIPTION	MATERIAL
1	Body	Titanium
2	Disc	Titanium
3	Hinge pin	Stainless Steel (302)
4	Pin retainer	Stainless Steel (302)
5	O-ring	Viton
6	Eye bolt w/ hex nut	Carbon Steel (ASTM A 105)

Above "Standard" Product Number for Short Pattern- **SP4R-TI-TI4**

Above "Standard" Product Number for Long Pattern- **LP4R-TI-TI4**

Other Options - Reference **C2** for available materials.

Specify application and conditions so proper material grade can be supplied.

SIZE		DIMENSIONS								WEIGHTS			
		A		B		C				Short		Long	
		Short & Long		Short & Long		Short		Long		lbs	kgs	lbs	kgs
in	mm	in	mm	in	mm	in	mm	in	mm				
2	50	4-3/8	111	1-1/8	29	3/4	19	2-3/8	60	3	1	12	5
2-1/2	65	5-1/8	130	1-3/8	35	3/4	19	2-5/8	67	4	2	15	7
3	80	5-7/8	149	1-3/4	44	3/4	19	2-7/8	73	6	3	18	8
4	100	7-1/8	181	2-5/8	67	3/4	19	2-7/8	73	7	3	25	11
6	150	9-7/8	251	4-5/8	117	7/8	22	3-7/8	98	15	7	58	26
8	200	12-1/8	308	6	152	1-1/8	29	5	127	29	13	120	54
10	250	14-1/4	362	7-3/4	197	1-1/2	38	5-3/4	146	60	27	180	82
12	300	16-5/8	422	9-1/2	241	2	51	7-1/8	181	95	43	235	107
14	350	19-1/8	486	10-1/2	267	2	51	8-3/4	222	TBA	TBA	TBA	TBA
16	400	21-1/4	540	12-1/2	318	2	51	9-1/8	232	TBA	TBA	TBA	TBA
18	450	23-1/2	597	14	356	3	76	10-3/8	264	TBA	TBA	TBA	TBA
20	500	25-3/4	654	16	406	3-1/4	83	11-1/2	292	TBA	TBA	TBA	TBA
24	600	30-1/2	775	19-1/4	489	3-3/4	95	12-1/2	318	TBA	TBA	TBA	TBA
30	750	37-1/2	953	24	610	4-3/4	121	-	-	TBA	TBA	TBA	TBA
36	900	44	1118	28-3/4	730	5-3/4	146	-	-	TBA	TBA	TBA	TBA
42	1050	50-3/4	1289	33-1/2	851	6	152	-	-	TBA	TBA	TBA	TBA

Certified dimensional drawings are available upon request.

†This table reflects only the nearest metric equivalents.

Seat Material	Operating Temperature**	
	°F	°C
Buna-N	-20 to 250	-29 to 121
Viton	-20 to 400	-29 to 204
EPDM	-40 to 300	-40 to 149

**Subject to limitations of body material.

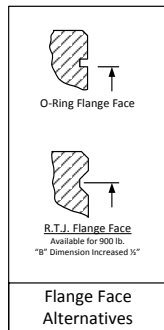
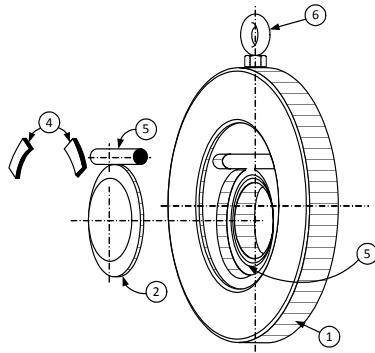
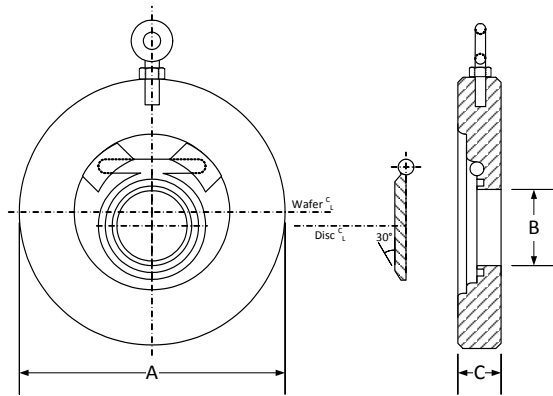


TECHNICAL DATA
DIMENSIONS AND WEIGHTS

Style SP & Style LP

Short Pattern & Long Pattern
Wafer Check Valve, 600 lb.

Titanium



PARTS LIST		
ITEM	DESCRIPTION	MATERIAL
1	Body	Titanium
2	Disc	Titanium
3	Hinge pin	Stainless Steel (302)
4	Pin retainer	Stainless Steel (302)
5	O-ring	Viton
6	Eye bolt w/ hex nut	Carbon Steel (ASTM A 105)

Above "Standard" Product Number for Short Pattern- **SP5R-TI-TI4**

Above "Standard" Product Number for Long Pattern- **LP5R-TI-TI4**

Other Options - Reference **C2** for available materials.

Specify application and conditions so proper material grade can be supplied.

SIZE		DIMENSIONS								WEIGHTS			
		A		B		C		Short		Long			
		Short & Long		Short & Long		Short		Long		Short		Long	
in	mm	in	mm	in	mm	in	mm	in	mm	lbs	kgs	lbs	kgs
2	50	4-3/8	111	1	25	3/4	19	2-3/8	60	4	2	12	5
2-1/2	65	5-1/8	130	1-3/8	35	3/4	19	2-5/8	67	6	3	15	7
3	80	5-7/8	149	1-3/4	44	3/4	19	2-7/8	73	7	3	18	8
4	100	7-5/8	194	2-5/8	67	7/8	22	3-1/8	79	12	5	25	11
6	150	10-1/2	267	4	102	1-1/8	29	5-3/8	137	24	11	70	32
8	200	12-5/8	321	5	127	1-1/2	38	6-1/2	165	57	26	160	73
10	250	15-3/4	400	6-7/8	175	2-1/4	57	8-3/8	213	131	59	200	91
12	300	18	457	8-1/2	216	2-3/8	60	9	229	234	106	265	120
14	350	19-3/8	492	9-1/2	241	2-3/8	60	10-3/4	273	TBA	TBA	TBA	TBA
16	400	22-1/4	565	11	279	2-7/8	73	12	305	TBA	TBA	TBA	TBA
18	450	24-1/8	613	12-1/2	318	3-1/8	79	14-1/4	362	TBA	TBA	TBA	TBA
20	500	26-7/8	683	14-1/4	362	3-5/8	92	14-1/2	368	TBA	TBA	TBA	TBA
24	600	31-1/8	791	17-3/8	441	4-1/4	108	-	-	TBA	TBA	TBA	TBA
26	650	34-1/8	867	19	483	4-3/4	121	17-1/4	438	TBA	TBA	TBA	TBA
30	750	38-1/4	972	22	559	5-1/4	133	-	-	TBA	TBA	TBA	TBA
36	900	44-1/2	1130	26-1/2	673	6-1/4	159	-	-	TBA	TBA	TBA	TBA

Certified dimensional drawings are available upon request.

†This table reflects only the nearest metric equivalents.

Seat Material	Operating Temperature**	
	°F	°C
Buna-N	-20 to 250	-29 to 121
Viton	-20 to 400	-29 to 204
EPDM	-40 to 300	-40 to 149

**Subject to limitations of body material.



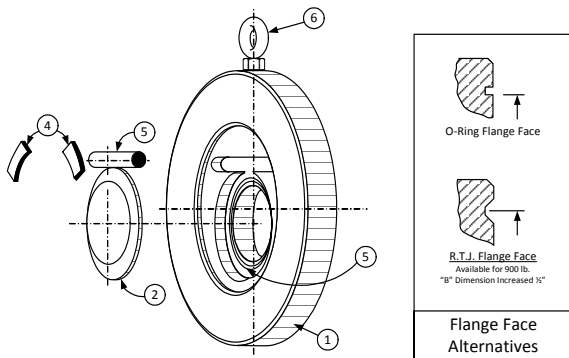
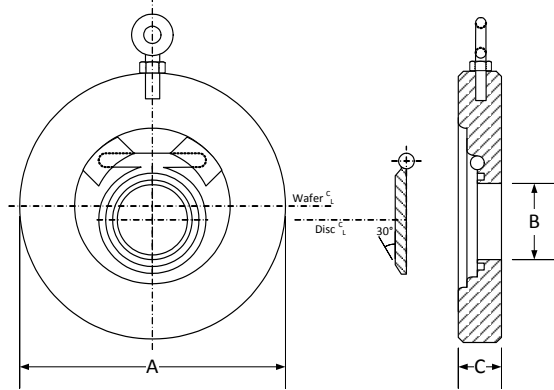
TECHNICAL DATA
DIMENSIONS AND WEIGHTS

Style SP & Style LP

Short Pattern & Long Pattern

Wafer Check Valve, 900 lb.

Titanium



PARTS LIST		
ITEM	DESCRIPTION	MATERIAL
1	Body	Titanium
2	Disc	Titanium
3	Hinge pin	Stainless Steel (302)
4	Pin retainer	Stainless Steel (302)
5	O-ring	Viton
6	Eye bolt w/ hex nut	Carbon Steel (ASTM A 105)

Above "Standard" Product Number for Short Pattern- **SP6R-TI-TI4**

Above "Standard" Product Number for Long Pattern- **LP6R-TI-TI4**

Other Options - Reference **C2** for available materials.

Specify application and conditions so proper material grade can be supplied.

SIZE		DIMENSIONS								WEIGHTS			
		A		B		C				Short		Long	
		Short & Long		Short & Long		Short		Long		lbs	kgs	lbs	kgs
in	mm	in	mm	in	mm	in	mm	in	mm				
2	50	5-5/8	143	1	25	3/4	19	2-3/4	70	4	2	14	6
2-1/2	65	6-1/2	165	1-3/8	35	3/4	19	3-1/4	83	6	3	16	7
3	80	6-5/8	168	1-3/4	44	3/4	19	3-1/4	83	7	3	22	10
4	100	8-1/8	206	2-5/8	67	7/8	22	4	102	12	5	30	14
6	150	11-3/8	289	4	102	1-3/8	35	6-1/4	159	24	11	82	37
8	200	14-1/8	359	5	127	1-3/4	44	8-1/8	206	57	26	188	85
10	250	17-1/8	435	6-7/8	175	2-1/4	57	9-1/2	241	131	59	225	102
12	300	19-5/8	498	8-1/2	216	2-3/8	60	11-1/2	292	234	106	295	134
14	350	20-1/2	521	9-1/2	241	2-3/4	70	14	356	TBA	TBA	TBA	TBA
16	400	22-5/8	575	11	279	3-1/4	83	15-1/8	384	TBA	TBA	TBA	TBA
18	450	25-1/8	638	12-1/2	318	3-3/4	95	17-3/4	451	TBA	TBA	TBA	TBA
20	500	27-1/2	699	14-1/4	362	4-1/4	108	17-3/4	451	TBA	TBA	TBA	TBA
24	600	33	838	17-3/8	441	5-1/4	133	-	-	TBA	TBA	TBA	TBA
26	650	34-3/4	883	19	483	5-3/4	146	19-1/2	495	TBA	TBA	TBA	TBA
30	750	39-3/4	1010	22	559	6-3/4	171	-	-	TBA	TBA	TBA	TBA
36	900	47-1/4	1200	26-1/2	673	8	203	-	-	TBA	TBA	TBA	TBA

Certified dimensional drawings are available upon request.

†This table reflects only the nearest metric equivalents.

Seat Material	Operating Temperature**	
	°F	°C
Buna-N	-20 to 250	-29 to 121
Viton	-20 to 400	-29 to 204
EPDM	-40 to 300	-40 to 149

**Subject to limitations of body material.

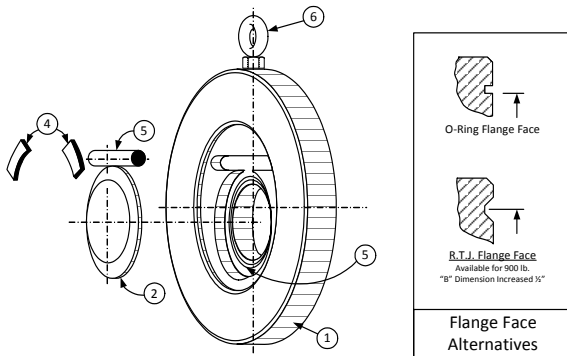
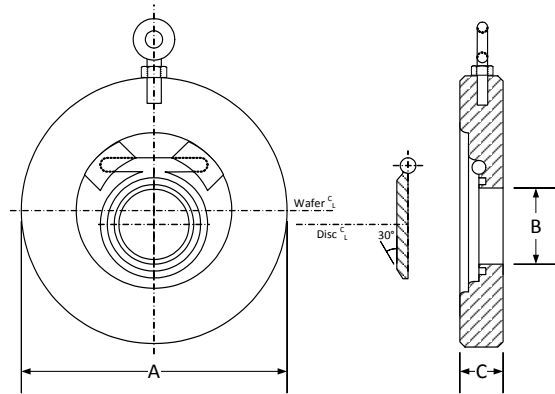


TECHNICAL DATA
DIMENSIONS AND WEIGHTS

Style SP & Style LP

Short Pattern & Long Pattern
Wafer Check Valve, 1500 lb.

Titanium



PARTS LIST		
ITEM	DESCRIPTION	MATERIAL
1	Body	Titanium
2	Disc	Titanium
3	Hinge pin	Stainless Steel (302)
4	Pin retainer	Stainless Steel (302)
5	O-ring	Viton
6	Eye bolt w/ hex nut	Carbon Steel (ASTM A 105)

Above "Standard" Product Number for Short Pattern- **SP7R-TI-TI4**

Above "Standard" Product Number for Long Pattern- **LP7R-TI-TI4**

Other Options - Reference **C2** for available materials.

Specify application and conditions so proper material grade can be supplied.

SIZE		DIMENSIONS								WEIGHTS			
		A		B		C		Short		Long			
		Short & Long		Short & Long		Short		Long		Short		Long	
in	mm	in	mm	in	mm	in	mm	in	mm	lbs	kgs	lbs	kgs
1-1/2	40	3-7/8	98	7/8	22	3/4	19	2-3/4	70	4	2	14	6
2	50	5-5/8	143	1	25	3/4	19	2-3/4	70	4	2	14	6
3	80	6-7/8	175	1-3/4	44	7/8	22	3-1/4	83	9	4	24	11
4	100	8-1/4	210	2-1/4	57	1-1/4	32	4	102	19	9	35	16
6	150	11-1/8	283	3-3/4	95	1-3/4	44	6-1/4	159	49	22	92	42
8	200	13-7/8	352	4-3/4	121	2-1/4	57	8-1/8	206	74	34	195	88
10	250	17-1/8	435	6-3/4	171	2-7/8	73	9-3/4	248	158	72	245	111
12	300	20-1/2	521	8-1/2	216	3-3/8	86	12	305	255	116	330	150

Certified dimensional drawings are available upon request.

†This table reflects only the nearest metric equivalents.

Seat Material	Operating Temperature**	
	°F	°C
Buna-N	-20 to 250	-29 to 121
Viton	-20 to 400	-29 to 204
EPDM	-40 to 300	-40 to 149

**Subject to limitations of body material.



PRESSURE DROP CHART

Wafer Double Disc Check Valve (Style DD, DL, and DF)

This pressure drop chart is based on the flow of clean water through the Keckley Double Disc Check Valve. The Keckley Style DD has a cracking pressure equal to or less than 0.3 psi when mounted horizontally. Check valves should be placed at a distance equal to 5 to 10 pipe diameters from any turbulence producing device such as elbows, pumps, etc.

TO USE CHARTS:

Find your desired rate of flow (GPM) on the left hand side of the chart. Follow its corresponding horizontal line to the point where it intersects the diagonal line indicating the check valve pipe size. From this point of intersection, follow the vertical line down to the bottom of the chart to determine the approximate pressure drop.

