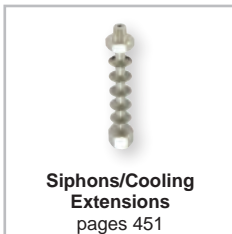


**Filters**  
page 450



**Siphons/Cooling Extensions**  
pages 451



**Strap Wrench/  
Gage Guard**  
pages 452



**Pressure Snubbers**  
pages 453



**Static Pressure Sensors**  
pages 454-455



**Gage Tubing**  
page 455



**Miscellaneous Accessories**  
pages 456-457

## FEATURED PRODUCTS

### STAINLESS STEEL STATIC PRESSURE TIPS

page 454



- Corrosive resistant pressure tips for use in both ducts and rooms provides long service-life
- Kitted to included gasket and screws, eliminates searching for parts and simplifying installation

### STATIC PRESSURE PICK-UP

page 455

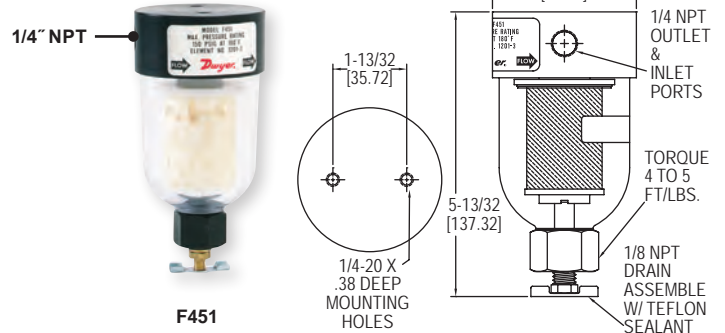
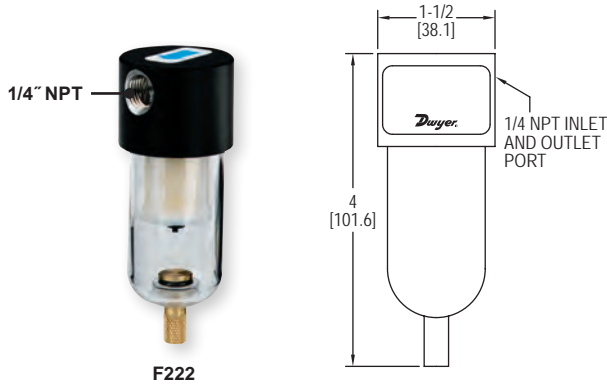


- Wall plate design provides an effective means to pick-up room pressure without exposing sensing elements to damage
- Easy mounting to multitude of wall surfaces permits flexible use and helping to support room designs



MODEL F222 & F451

# LIQUID/PARTICLE FILTERS



Model F222 & F451 Liquid/Particle Filters protect equipment and instrumentation from harmful contaminants such as dirt, water and oil. Liquids are continuously coalesced and released through the manual drain valves. Replaceable filter element removes particles and droplets as small as 0.01 micron with 93% efficiency. Units have 1/4" female NPT inlet and outlet and manual drain valve.

MODEL CHART	
Model	Description
F222	Liquid/particle filter
F451	Liquid/particle filter
1201-3	Replacement filters for F451 (pack of 3)

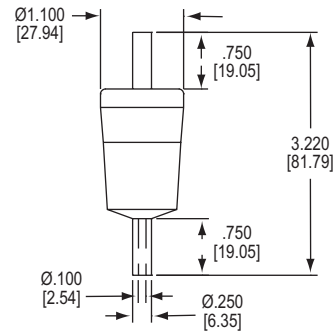
### SPECIFICATIONS

**Filtration Efficiency:** 93% (removal of 0.01 micron particles).  
**Maximum Pressure:** 150 psig (10 bar).  
**Maximum Temperature:** 130°F (54°C).  
**Max. Flow at 100 psig:** 22 SCFM (F222); 45 SCFM (F451).  
**Inlet & Outlet Ports:** 1/4" female NPT.  
**Mounting:** In-line only (F222); 1/4-20 mounting holes (F451).  
**Materials of Construction:** Anodized aluminum head, polycarbonate bowl, cadmium plated steel tie rod, nylon internals, Buna-N seal.  
**Weight:** 0.5 lb (0.2 kg) (F222); 1.1 lb (0.5 kg) (F451).

MODEL F195

# DISPOSABLE IN-LINE FILTER

Flowmeter Accessories and Options



Remove 99.99% of unwanted particles from within your gas flow with the Model F195 Disposable In-Line Filter. Encapsulated microfiber filter elements are able to filter particles as small as 0.1 micron. Filters are completely disposable — simply remove the filter from your line and throw it away when it becomes dirty. The transparent nylon housing makes it simple to determine if the filter needs to be changed.

MODEL CHART	
Model	Description
F195	Disposable in-line filter

LINE PRESSURE VS. FLOW									
Line Pressure (psig)	1.5	10	20	30	40	60	80	100	125
Gas Flow (scfm)	0.6	0.9	1.3	1.6	2.0	2.7	3.5	4.2	5.7

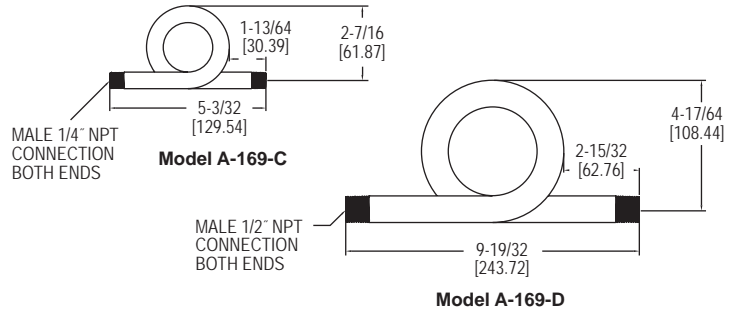
Note: 1.5 psi pressure drop.

### SPECIFICATIONS

**Filtration Efficiency:** 99.99% (removal of 0.1 micron particles).  
**Housing Construction:** Nylon.  
**Filter Tube Dimensions:** 0.59 ID x 1.39 L.  
**Maximum Temperature:** 230°F @ 0 psig (110°C @ 0 bar), 120°F @ 125 psig (49°C @ 9 bar).  
**Maximum Pressure:** 125 psig (8.6 bar).  
**Maximum Differential Pressure:** 60 psi (4 bar) (in-to-out flow direction), 20 psi (1.4 bar) (out-to-in flow direction).  
**Internal Volume:** 11.5 cc (11.5 ml).  
**Connections:** Barbed for 1/4" ID tubing.

# INSTRUMENTATION SIPHONS

Protect Instrumentation in High Temperature Applications



\*Please see our website for additional dimensional drawings.

The **Series A-169/A-170 Instrumentation Siphons** protect pressure instruments in high temperature applications. Water held in the 180° coil prevents steam from contacting the instrument. Constructed in either carbon steel or 316 stainless steel, the instrumentation siphons can withstand high temperature, pressure, or resistance to corrosion. They are ideal for use with pressure gages and instrumentation where the process media temperature exceeds the rating of the instrument. The male NPT connection allows for easy installation and secure attachment.

**FEATURES/BENEFITS**

- Carbon steel construction
- MNPT connection allowing for easy installation
- Stainless steel construction

**APPLICATIONS**

- HVAC
- Industrial process

**SPECIFICATIONS**

**Service:** Compatible liquids and gases.  
**Wetted Materials:** Carbon steel or 316 SS (depending on model).  
**Pressure Limits:** See chart.  
**Temperature Limits:** See chart.  
**Process Connections:** See chart.  
**Weight:** 1/4" NPT models: 8 oz (226.8g); 1/2" NPT models: 25.6 oz (725.75 g).

**MODEL CHART**

Model	Process Connections	Material	Pressure Limit
A-169-C	1/4" NPT male	Carbon steel SCH 80	500 psi @ 680°F
A-169-D	1/2" NPT male	Carbon steel SCH 80	500 psi @ 680°F
A-170*	1/4" NPT male	316 SS SCH 80	2307 psi @ 200°F
A-170-A	1/4" NPT male	316 SS SCH 40	500 psi @ 680°F
A-170-B	1/2" NPT male	316 SS SCH 40	500 psi @ 680°F

\*Model A-170 is not RoHS certified.

SERIES A-240/A-250

# PERFORATED OR SPIRAL COOLING TOWERS

Protect Instrumentation in High Temperature Applications



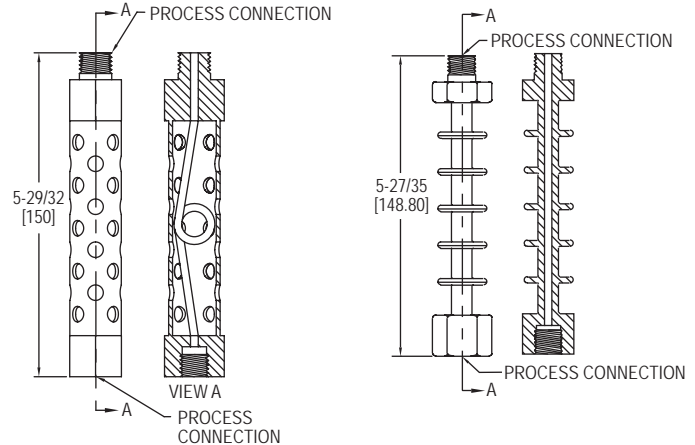
A-240



A-250

**CONNECTION CHART**

1/4" male/female NPT
3/8" male/female NPT
1/2" male/female NPT
1/4" male/female BSPP
3/8" male/female BSPP
1/2" male/female BSPP



The **Series A-240/A-250 Perforated or Spiral Cooling Towers** protect pressure instruments during high temperature applications. Both the spiral and perforated styles are made with 316L SS, and are available with various process connections in NPT or BSPP style. Both Cooling Towers are ideal for use with pressure gages, switches, and transmitters where the process media temperature exceeds the rating of the instrument.

**FEATURES/BENEFITS**

- Stainless steel construction
- NPT or BSPP connections allowing for easy installation

**APPLICATIONS**

- HVAC
- Industrial Process

**SPECIFICATIONS**

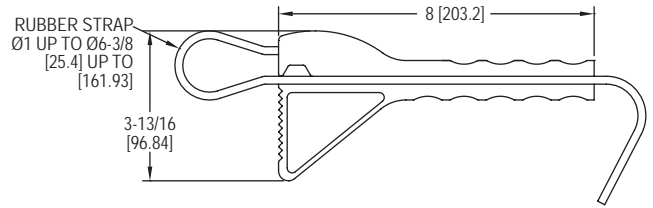
**Service:** Compatible liquids and gases.  
**Wetted Parts:** 316L SS.  
**Temperature Limits:** 428°F (220°C).  
**Pressure Limits:** 5800 psi (400 bar).  
**Process Connections:** See chart.  
**Height:** 6" (150 mm).  
**Weight:** 8 oz (227 g).

**MODEL CHART**

Model	Style	Connections	Model	Style	Connections
A-240-A	Perforated	1/4" male/female NPT	A-250-A	Spiral	1/4" male/female NPT
A-240-C	Perforated	1/2" male/female NPT	A-250-C	Spiral	1/2" male/female NPT
			A-250-D	Spiral	1/4" male/female BSPP
			A-250-E	Spiral	3/8" male/female BSPP
			A-250-F	Spiral	1/2" male/female BSPP

**Dwyer**

MODEL SWUK1

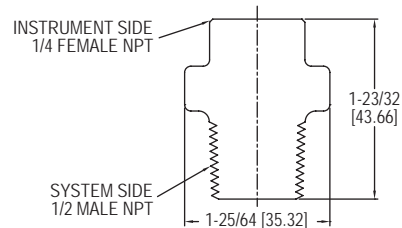
**STRAP WRENCH**

The **Model SWUK1 Strap Wrench** offers the user a versatile tool to grip, undo & tighten a wide variety of awkwardly shaped and sized objects. The SWUK1 also makes the job of fitting Adjustable Signal Flags (ASF) covers to Magnehelic® Differential Pressure Gages much easier by simply following the instruction included with each cover supplied.

**FEATURES/BENEFITS**

- Reinforced plastic handle provides extra leverage
- Rubber strap reinforced with 38 cords of high tensile polycarbon to give a breaking strength in excess of 2000 lb
- Strap will grip objects from .79" to 6.30" diameter
- Low cost, rugged and simple to use
- Handy multi-purpose tool

MODEL CHART	
Model	Description
SWUK1	Strap wrench

**SERIES GG****GAGE GUARD**

Protecting pressure or vacuum instruments from clogging, corrosion, or damage, the **Series GG Gage Guard** provides a protective barrier between the process fluid and the instrument. The hermetically-sealed uni-body protects from the possibility of leaking. Glass-filled Polypropylene housing is suitable for most inorganic chemicals and temperatures up to 185°F (85°C). A fluid fill station is recommended for proper installation.

MODEL CHART	
Model	Description
GG1	Buna-N diaphragm
GG2	Fluoroelastomer diaphragm

**SPECIFICATIONS**

**Maximum Pressure:** Liquids: 160 psi (11 bar) @ 70 to 185°F (21 to 85°C); Gases: 100 psi (6.9 bar) @ 70 to 100°F (21 to 38°C) and 30 psi (2.1 bar) @ 100 to 185°F (38 to 85°C).

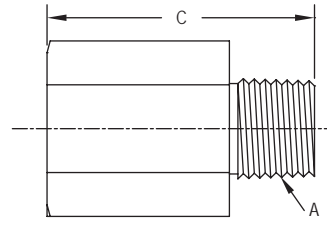
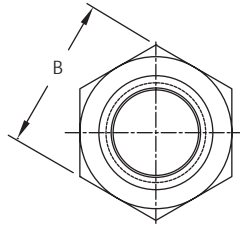
**Accuracy:** ±4%.

**Maximum Temperature:** 185°F (85°C).

**Wetted Parts:** Glass-filled polypropylene housing, Buna-N or fluoroelastomer diaphragm.

**Dimensions:** 1/4" female NPT instrument side; 1/2" male NPT system side; 1-3/8" (35 mm) diameter.

# PRESSURE SNUBBER



DIMENSIONS			
Model	A	B	C
PS114	1/8" NPT	1/2"	1-7/64"
PS214	1/8" NPT	1/2"	1-7/64"
PS122	1/4" NPT	3/4"	1-1/2"
PS124	1/4" NPT	3/4"	1-1/2"
PS222	1/4" NPT	3/4"	1-1/2"
PS224	1/4" NPT	3/4"	1-1/2"
PS225	1/4" NPT	3/4"	1-1/2"

The **Series PS Pressure Snubber** is designed to protect pressure instrumentation by dampening surges and pulsations and assuring steady average pressure readings. Snubbers are available in a variety of pore sizes for use with gases, water, and oils.

### SPECIFICATIONS

**Maximum Pressure:** Brass: 10,000 psi (689 bar), SS: 15,000 psi (1034 bar).

**Filter Disc Material:** AISI 316 SS.

**Approx. Micron Rating:** Air & gases: 2-5 $\mu$ ; water & oils (30-225 SSU): 10 $\mu$ .

**Dimensions:** 1/4" NPT: 3/4" (19 mm) hex size, 1.5" (38 mm) length.

MODEL CHART		
Model	Service	Construction
PS114	Air and gases	Brass 1/8" NPT
PS214	Air and gases	SS 1/8" NPT
PS122	Water and oils	Brass 1/4" NPT
PS124	Air and gases	Brass 1/4" NPT
PS222	Water and oils	SS 1/4" NPT
PS224	Air and gases	SS 1/4" NPT
PS225	Pulsating gas	SS 1/4" NPT

USA: California Proposition 65

⚠WARNING: Cancer and Reproductive Harm - www.P65Warnings.ca.gov

# ADJUSTABLE PRESSURE SNUBBERS

Protect Instruments from Pressure Spikes or Fluid Hammer

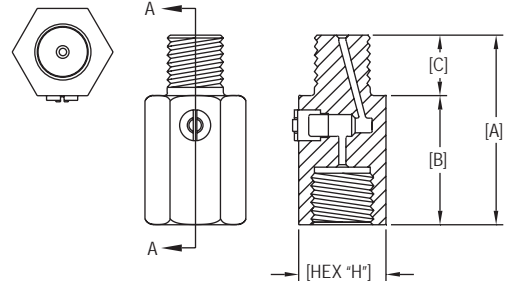


Brass



316 SS

DIMENSIONS				
Connections	A	B	C	H
1/4" M x F	55	42	13	25.0
3/8" M x F	60	44	16	25.0
1/2" M x F	60	40	20	28.0



The **Adjustable Pressure Snubbers** protect pressure instruments against fluctuations, surges, spikes and fluid hammer. The fine thread adjustable valve allows you to fine tune harmful harmonic vibration from the fluid systems and isolate the instrument from process when service or replacement is necessary. These Pressure Snubbers are designed to provide fully field adjustable dampening. By using our Adjustable Pressure Snubbers, you will alleviate surges and pulsations to assure steady pressure readings and extend the life of your instrument.

### SPECIFICATIONS

**Service:** Compatible liquids and gases.

**Wetted Parts:** Brass or 316 SS.

**Pressure Limits:** 5690 psi (392 bar).

**Temperature Limits:** -4 to 302°F (-20 to 150°C).

**Process Connections:** See chart.

**Weight:** 8.4 oz (238 g).

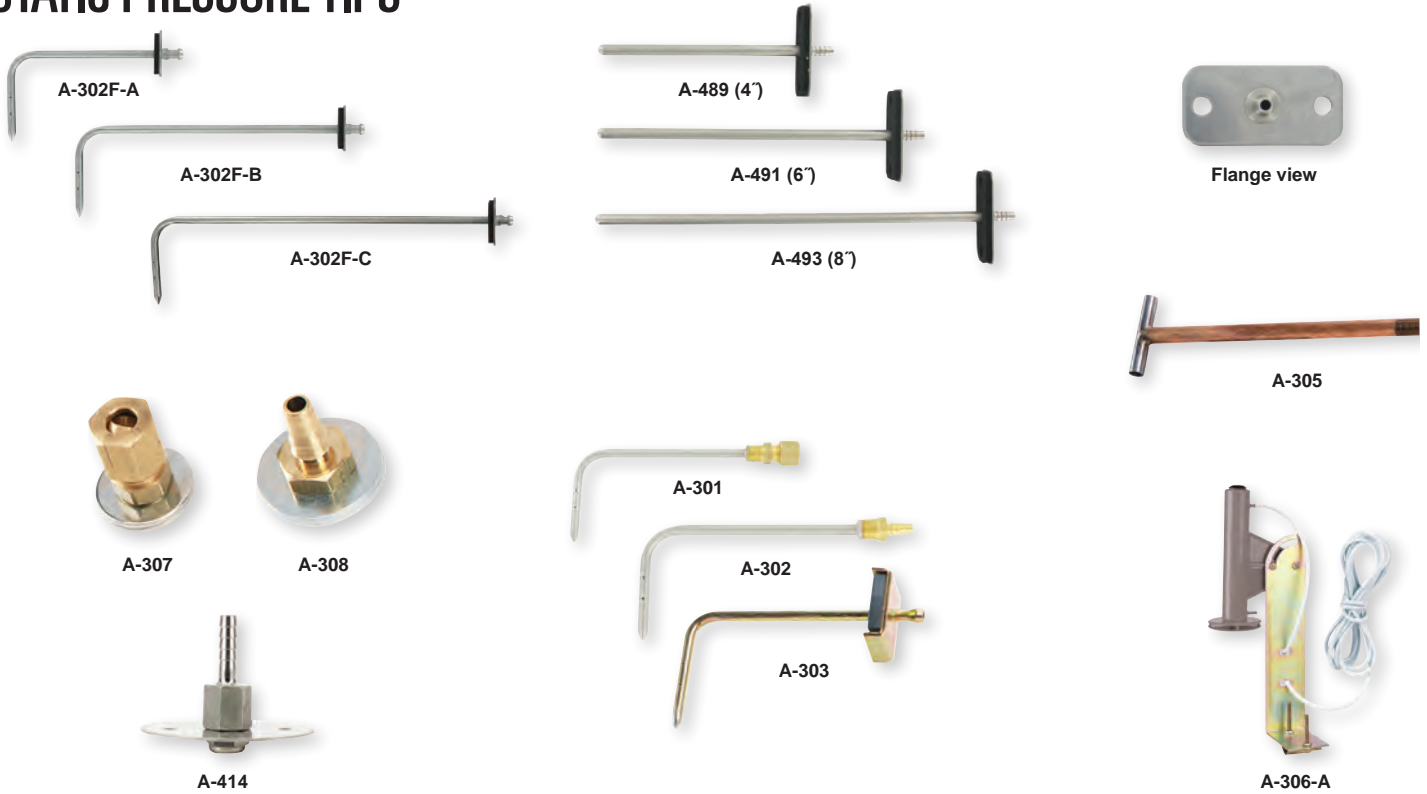
MODEL CHART					
Model	Material	Connections	Model	Material	Connections
A-251	Brass	1/4" male/female BSPP	A-257	316 SS	1/4" male/female BSPP
A-252	Brass	3/8" male/female BSPP	A-258	316 SS	3/8" male/female BSPP
A-253	Brass	1/2" male/female BSPP	A-259	316 SS	1/2" male/female BSPP
A-254	Brass	1/4" male/female NPT	A-260	316 SS	1/4" male/female NPT
A-255	Brass	3/8" male/female NPT	A-261	316 SS	3/8" male/female NPT
A-256	Brass	1/2" male/female NPT	A-262	316 SS	1/2" male/female NPT

USA: California Proposition 65

⚠WARNING: Cancer and Reproductive Harm - www.P65Warnings.ca.gov



# STATIC PRESSURE TIPS



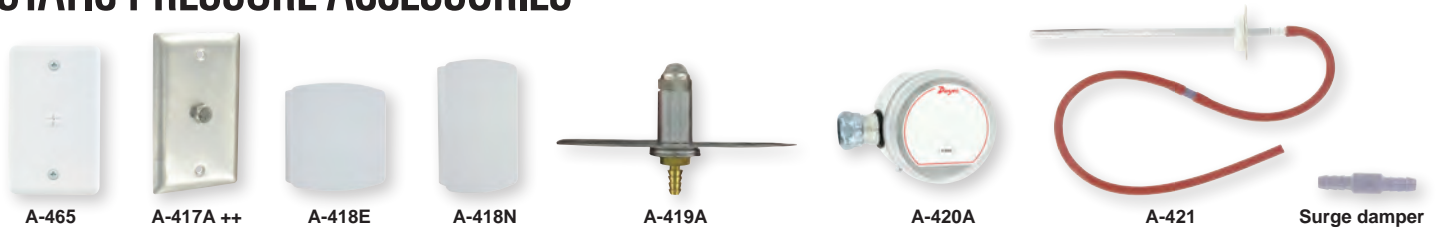
### MODEL CHART

Model	Description
The stainless steel static pressure tips are used to measure static pressures in ducts or rooms. They are to be connected to differential pressure switches and transmitters. Two static sensors are used in applications where differential pressure is required across a filter or coil. These sensors include a mounting flange with integral rubber gasket and two screws for simplifying mounting on a duct.	
A-302F-A	4" hook style SS static pressure tip with mounting flange
A-302F-B	6" hook style SS static pressure tip with mounting flange
A-302F-C	8" hook style SS static pressure tip with mounting flange
A-489	4" straight SS static pressure tip with mounting flange
A-491	6" straight SS static pressure tip with mounting flange
A-493	8" straight SS static pressure tip with mounting flange
Designed for simplified installation, these are easy to install, inexpensive, and provides accurate static pressure sensing in smooth air at velocities up to 1500 FPM.	
A-307	Static pressure fitting, for 1/4" metal tubing connection
A-307-SS	SS static pressure fitting, for 1/4" metal tubing connection
A-308	Static pressure fitting, for 3/16" and 1/8" ID plastic or rubber tubing
A-414	SS clean room pressure sensor
These static pressure tips are ideal for applications such as sensing the static pressure drop across industrial air filters and refrigerant coils. Here the probability of air turbulence requires that the pressure sensing openings be located away from the duct walls to minimize impingement and aspiration, and thus ensure accurate readings. For a permanent installation of this type, the Dwyer No. A-301 or A-302 static pressure tip is used. It senses static pressure through radially-drilled holes near the tip and can be used in air flow velocities up to 12,000 FPM. The angled tips shown have 4" insertion depth. Each has four radially drilled .040" sensing holes. All except Model A-303 mount in 3/8" hole in duct. For portable use, a magnet holds No. A-303 in place.	
A-301	Static pressure tip, for 1/4" metal tubing connection
A-301-A	Static pressure tip, same as A-301 with 6" insertion depth
A-301-B	Static pressure tip, same as A-301 with 8" insertion depth
A-301-C	Static pressure tip, same as A-301 with 12" insertion depth
A-301-SS	SS static pressure tip, for 1/4" metal tubing connection
A-302	Static pressure tip, for 3/16" and 1/8" ID plastic or rubber tubing
A-302-A	Static pressure tip, same as A-302 with 6" insertion depth
A-303	Portable static pressure tip, for 3/16" ID rubber or plastic tubing with 4" insertion
A-305 low resistance static pressure tip is designed for use in dust-laden air and for rapid response applications. It is recommended where a very low actuation pressure is required for a pressure switch or indicating gage — or where response time is critical.	
A-305	Static pressure tip, low resistance application, furnished with two (2) hex jam nuts and two (2) mounting washers for duct mounting and with 1/8" NPT pipe thread for pressure connection
A-305-SS	SS static pressure tip, low resistance application, furnished with two (2) hex jam nuts and two (2) mounting washers for duct mounting and with 1/8" NPT pipe thread for pressure connection
A-306	Outdoor static pressure sensor. Provides average outdoor pressure signal for reference in building pressurization applications. Includes sensor, 50' vinyl tubing, mounting bracket and hardware. Red sensor
A-306-A	Outdoor static pressure sensor. Provides average outdoor pressure signal for reference in building pressurization applications. Includes sensor, 50' vinyl tubing, mounting bracket and hardware. Gray sensor

USA: California Proposition 65

⚠WARNING: Cancer and Reproductive Harm - www.P65Warnings.ca.gov

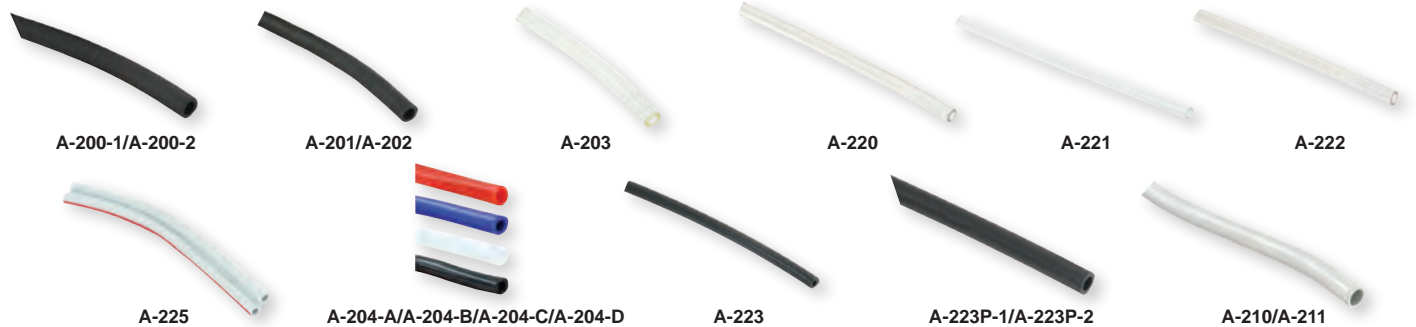
# STATIC PRESSURE ACCESSORIES



MODEL CHART	
Model	Description
A-465	Static pressure pick-up provides a clean solution for sensing space pressure. The sensor can be mounted on sheetrock walls, single gang electrical boxes, or on ceiling tiles. Molded from ABS plastic, the A-465 provides an integral barb fitting and includes tubing, mounting screws and anchors.
A-417A	Static pressure pickup. For use in clean rooms, 60 micron filter picks up static pressure. Stainless steel wall plate fits 2" x 4" electrical box. Sealed with foam gasket, screws included. Barbed brass fitting holds 1/8" to 3/16" ID tubing.
A-418E	Static pressure pickup. Room mount with plastic enclosure fits 2" x 4" electrical box. Fine mesh screen hides static pressure pickup port. Clean connection to 1/8" to 3/16" ID tubing and pressure sensor. Sealed with foam gasket, screws included.
A-418N	Static pressure pickup. Room mount with plastic enclosure fits 2" x 4" electrical box. Fine mesh screen hides static pressure pickup port. Clean connection to 1/8" to 3/16" ID tubing and pressure sensor. Sealed with foam gasket, screws included.
A-419A	Static pressure pickup ceiling mount. Plate rests on top of standard 3/4" thick ceiling tile while 60 micron filter faces down through 5/8" hole in tile. Filter is barely noticeable in room being monitored. Unit mounts to junction box. Barbed brass fitting holds 1/8" to 3/16" ID tubing.
A-420A	Static pressure pickup for roof or outside mount. Reduces effects of wind gusts to keep pressure readings stable when plate is parallel to ground. Structure withstands harsh environmental elements. Structure is 3-1/4" across and 2-3/8" deep. EMT Conduit fitting is 1/2". Pressure connection is brass barbed fitting for 1/8" and 3/16" ID tubing.
A-421	Static pressure tip measures duct static air pressure. Assembly includes 6" probe, silicon rubber hose, and screws. Built-in surge damper ensures stable readings on pressure sensor. Pressure spike reducer can be added to end of tube to further smooth over pressure fluctuations.

++USA: California Proposition 65  
 ⚠ WARNING: Cancer and Reproductive Harm - www.P65Warnings.ca.gov

# GAGE TUBING ACCESSORIES



MODEL CHART	
Model	Description
Norprene® tubing is useful in a wide range of temperatures from -75 to 275°F (-60 to 135°C) and will not weaken after long term exposure to heat and ozone.	
A-200-1	3/16" ID x 5/16" OD, 13 psi maximum pressure @ 73°F (90 kPa @ 23°C); 50'
A-200-2	1/4" ID x 3/8" OD, 10 psi maximum pressure @ 73°F (69 kPa @ 23°C); 50'
Rubber latex tubing has less tendency to kink in storage and occupies less space, thus is best for portable work.	
A-201	3/16" ID, 9' length
A-202	3/16" ID, lengths to 50'
Clear PVC tubing is easily inspected and is therefore best for test applications where a possibility of fluid entering the tubing exists.	
A-203	1/8" ID x 1/4" OD, lengths to 100'; 60 psi max. pressure @ 73°F (22°C)
Clear flexible vinyl tubing is easily inspected, and is therefore best for test applications where a possibility of fluid entering the tubing exists.	
A-220	3/16" ID x 5/16" OD, lengths to 500'; 45 psi maximum pressure @ 73°F (310 kPa @ 23°C)
A-221	1/8" ID x 3/16" OD, lengths to 500'; 40 psi maximum pressure @ 165°F (276 kPa @ 74°C)
A-222	.240" ID x .375" OD, lengths to 500'; 35 psi maximum pressure @ 73°F (240 kPa @ 23°C)
Flexible double column plastic tubing is used with Mark II manometers and the Wind Speed Indicator. Light gray with red color code stripe.	
A-225	1/8" ID, lengths to 750'
Flexible colored vinyl tubing is quickly distinguishable in applications where more than one line is required aiding installation.	
A-204-B	3/16" ID x 5/16" OD, lengths to 500'; 45 psi maximum pressure @ 165°F (310 kPa @ 74°C); Opaque blue
A-204-C	3/16" ID x 5/16" OD, lengths to 500'; 45 psi maximum pressure @ 165°F (310 kPa @ 74°C); Opaque white
A-204-D	3/16" ID x 5/16" OD, lengths to 500'; 45 psi maximum pressure @ 165°F (310 kPa @ 74°C); Opaque black
Black polyethylene tubing offers long life, great stability and resistance to corrosion.	
A-223	1/8" ID x 1/4" OD, 10' length; 200 psi maximum @ 140°F (1379 kPa @ 60°C)
Black nylon tubing is recommended for high temperature and pressure applications. -40 to 248°F (-40 to 120°C).	
Black plenum fire retardant polyethylene tubing meets NFPA standard 90A for installation in air-conditioning and ventilating plenum spaces; also used in building automation systems. Lengths to 500', 100 psig maximum pressure @ 75°F (689 kPa @ 24°C).	
A-223P-1	.17" ID x .25" OD
A-223P-2	1/4" ID x 3/8" OD
Aluminum tubing is recommended for permanent installations.	
A-210	1/4" OD, 5' length, 500 psi maximum pressure @ 200°F (3447 kPa @ 93°C)
A-211	1/4" OD, 50' length, 500 psi maximum pressure @ 200°F (3447 kPa @ 93°C)

Norprene® is a registered trademark of Saint-Gobain Abrasives, Inc. Corporation

# ACCESSORIES - FITTINGS & FILTERS

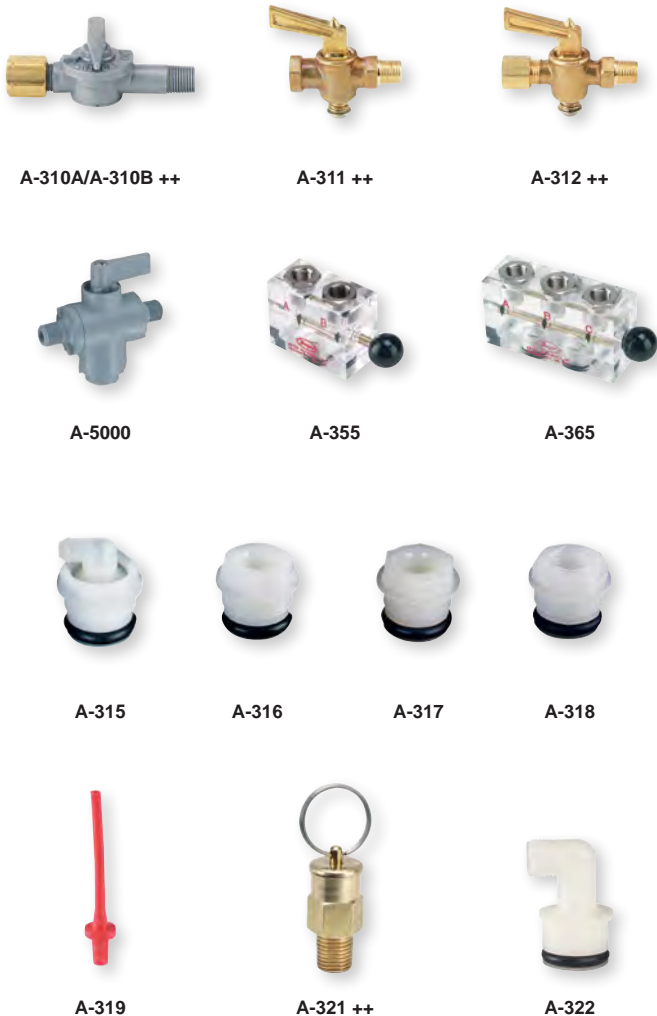


MODEL CHART	
Model	Description
A-323	Elbow compression fitting, brass 1/8" NPT to 1/4" metal tubing
A-324	Compression fitting, brass 1/8" NPT to 1/4" metal tubing
A-326	Compression fitting, brass 1/8" NPT to 3/8" tubing
A-327	5/16" nylon tube union
A-328	1/4" nylon tube union
A-329	1/8" NPT close coupled street ell, brass
A-330	1/8" pipe plug, socket hex, plated steel
A-331	1/8" NPT filter vent plug, nylon and sintered metal
A-332	Bushing, brass, 1/8" to 1/4" NPT
A-333	Bushing, brass, 1/8" to 1/2" NPT
A-334	Close nipple, brass, 1/8" NPT
A-336	90° street L, brass, 1/8" NPT
A-337	Coupling, brass, 1/8" NPT
A-338	Servel adapter, brass 3/8" and 5/16" N.F. threads for gas appliances to 1/8" and 3/16" ID rubber or plastic tubing
A-339	Adapter, brass, 1/8" NPT to 3/16" rubber and 1/8" ID plastic tubing
A-339-SS	316 SS 3/16" hose barb to 1/8" BSPT fitting
A-340	Adapter, nylon, 1/8" NPT to 3/16" ID rubber or 1/4" plastic tubing
A-342	"T" assembly, plastic, for 3/16" ID rubber or 1/4" plastic tubing
A-343	"T" assembly, plastic, for 3/16" plastic tubing
A-343-1	"T" assembly, plastic, for 1/8" ID plastic tubing
A-344	Terminal tube, brass 1/4" diameter tube, 8" L (not shown)
A-345	Flange, aluminum with gasket and sheet metal screws, 1/8" NPT
A-346	"T" compression fitting, brass, 1/4" metal tubing
A-349	Reducer, brass, 1/4" female NPT to 1/8" male NPT
A-385	1/2" plastic hole plugs 20/bag
A-386	5/16" metal hole plugs 20/bag
A-391	Line filter for Capsuhelic® gage, 1/4" female NPT X 1/4" male NPT
A-392	Line filter for Magnehelic® gage, 1/8" female NPT x 1/8" male NPT
A-398	Probe extension adapter for series 640 air velocity transmitter, brass, 1/2" female NPT x 5/16" compression

++USA: California Proposition 65

⚠ WARNING: Cancer and Reproductive Harm - www.P65Warnings.ca.gov

# ACCESSORIES - VALVES & CONNECTORS



MODEL CHART	
Instrument valves for permanent installation. They mount in part A-316, A-317, type C manometer connections or Magnehelic® gage and connect to metal tubing or 1/8" pipe.	
Model	Description
A-310A	3-way vent valve, plastic, 1/8" NPT to 1/4" metal tubing. Positions are: (1) Line: Gage connected to pressure source. (2) Off: Both gage and connection to pressure source closed. (3) Vent: Gage vented to atmosphere and connection to pressure source closed. 80 psi rating. Replaces former model A310 (brass)
A-310B	Same as A-310A but with 10 psi rating
A-311	Shut off valve, brass, 1/8" NPT to 1/8" NPT
A-312	Shut off valve, brass, 1/8" NPT to 1/4" metal tubing
A-5001-1	PVC 1/8" hose barb inlet x 1/8" hose barb outlet x 1/8" hose barb outlet (125 psi maximum)
A-5002-2	PVC 1/4" hose barb inlet x 1/4" hose barb outlet x 1/4" hose barb outlet (125 psi maximum)
A-5003-3	PVC 1/8" female NPT inlet x 1/8" female NPT outlet x 1/8" female NPT outlet (125 psi maximum)
A-5003-5	PVC 1/8" male NPT inlet x 1/8" female NPT outlet x 1/8" female NPT outlet (125 psi maximum)
A-5004-4	PVC 1/4" female NPT inlet x 1/4" female NPT outlet x 1/4" female NPT outlet (125 psi maximum)
A-5004-6	PVC 1/4" male NPT inlet x 1/4" female NPT outlet x 1/4" female NPT outlet (125 psi maximum)
A-5005-3	PVC 1/8" female NPT inlet x 1/8" male NPT outlet x 1/8" male NPT outlet (125 psi maximum)
A-5006-4	PVC 1/4" female NPT inlet x 1/4" male NPT outlet x 1/4" male NPT outlet (125 psi maximum)
A-355	Porting valve, acrylic plastic, 1/8" NPT inserts. Used for convenient indication of pressure at two points with a single gage
A-365	Dual porting valve, acrylic plastic, 1/8" NPT fittings. For monitoring three pressures, two at a time, with one gage

MODEL CHART	
Gage Connectors for Manometers. Molded nylon construction, threaded .786 x 27 N.S., with O-ring seal.	
Model	Description
A-315	Gage connector, shut off type, for 3/16" rubber tubing
A-316	Gage connector, bushing, 1/8" pipe thread opening
A-317	Gage connector, 1/8" pipe thread opening, less OD thd., for slip fit in 3/4" dia. opening in 250 series A.F. gages
A-318	Gage connector 1/4" pipe thread opening
A-319	Flexible red P.V.C. connector, 3/16" ID rubber tubing to 1/4" ID plastic tube for 1221, 1222 and 1227 manometers
A-321	Brass safety relief valve protects Magnehelic® or Photohelic® gage against over pressure due to regulator failure etc. Opens at 10 psi. Mounts in tee fitting in sensing line or in unused gage port with addition of A-349 reducer. 1/4" male NPT (Use two for D.P. application)
A-322	Gage connector for 1/4" tubing. Slip fits in 3/4" opening in 250 series A.F. gages (compression nut and ferrule not included)

++USA: California Proposition 65

⚠ WARNING: Cancer and Reproductive Harm - www.P65Warnings.ca.gov



# ACCESSORIES - GAGE FLUIDS



MODEL CHART	
Model	Description
Red gage fluid, .826 sp. gr. The standard fluid for use in inclined manometers, "D" type vertical manometers and all Dwyer gages using red fluid.	
A-101	1 oz unbreakable plastic dispenser bottle
A-102	4 oz plastic bottle with screw cap
A-103	1 pt plastic bottle with screw cap
A-104	1 qt plastic bottle with screw cap
Blue gage fluid, 1.910 sp. gr. For special instruments and Mark II Models 26 and 28.	
A-110	1 oz unbreakable plastic dispenser bottle
A-111	1 pt plastic bottle with screw cap
Violet gage fluid, 1.000 sp. gr. Use in place of water if better meniscus is desired.	
A-120	1 oz unbreakable plastic dispenser bottle
A-121	4 oz plastic bottle with screw cap
A-122	1 pt plastic bottle with screw cap
Fluorescein green color concentrate, water coloring agent. Not to be used full strength. Add 3/4 oz to a quart of distilled water. Contains a wetting agent to improve the meniscus characteristics. Use in vertical manometers only.	
A-126	1 oz unbreakable plastic dispenser bottle
<b>Caution:</b> Use only Dwyer fluids in Dwyer gages.	

# ACCESSORIES - MISCELLANEOUS



MODEL CHART	
Model	Description
A-298	Flat aluminum bracket for flush mounting Capsuhelic® gage, 603A, 605, and 3000MR
A-299	Mounting bracket, flush mount Magnehelic® gage in bracket, bracket is then surface mounted, steel with gray hammertone epoxy finish
A-300	Flat aluminum bracket for flush mounting Magnehelic® gage
A-351	Pinch clamp to seal rubber tubing, as in a leakage test
A-352	Magneclip, slip on magnetic holder for acrylic plastic gages, per pair
A-353	Magnetic mounting, flat style, secures to flowmeter, etc. with 6-32 machine screw and boots insert
A-354	Magnetic mounting, edge style, secures edge of acrylic manometer with 10-32 machine screw and boots insert
A-356	Gage plug with retainer loop, polyethylene plastic, for 1/4" ID tubing, slip loop over tubing OD and insert plug for seal
A-357	Thermometer and terminal tube holder, SS wire
A-360	Aluminum DIN rail, 1 m
A-362	Stand-hang bracket, aluminum, for Minihelic® II gage
A-363	Scale clamp bar for 1221 manometer
A-364	Magnet assembly for 1222 manometers, 2 required (3 required for 1222-36 and M-1000)
A-366	Manometer cleaning brush 1/4" OD x 2-1/8" long, attach to wire for use
A-368	Surface mounting plate, aluminum, for Magnehelic® gage
A-369	Stand-hang bracket, aluminum, for Magnehelic® gage
A-370	Mounting bracket, flush mount Capsuhelic® gage or Series 631B transmitter in bracket, bracket is then surface mounted, steel with gray hammertone epoxy finish
A-371	Surface mounting bracket, use with Photohelic® gage on horizontal or vertical surfaces, also for Capsu-Photohelic® gages on vertical only
A-395	Surface mounting bracket for Series 4000 Capsuhelic® gages, steel with gray hammertone epoxy finish
A-397	Rugged step drill quickly provides true round holes in thin materials, ideal for installation of Dwyer pitot tubes in sheet metal duct, no centerpunch needed to steel, drills 3/16" through 1/2" holes in 1/16" increments
A-464	Flush mount kit for Magnehelic® gages
A-465	Flush mount space pressure sensor
A-497	Surface mounting bracket for Minihelic®II gage, steel with satin black finish

# ACCESSORIES - KITS FOR AIR FILTER SWITCHES



MODEL CHART	
Model	Description
A-602	Air filter kit, accessory package for using switch without a gage includes two pressure tips with integral compression fittings, two 5' lengths of 1/4" aluminum tubing and two 1/8" NPT to 1/4" tubing compression fittings
A-603	"T" kit, accessory package for using pressure switch in conjunction with an air filter kit equipped Magnehelic® or Series 250 AF gages includes two 1/8" NPT to 1/4" tubing compression fittings and two compression tees
A-604	"T" kit, accessory package for using pressure switch in conjunction with Mark II gages, includes two plastic tubing connector tees and two plastic tubing to 1/8" NPT adapters

USA: California Proposition 65  
 ⚠️WARNING: Cancer and Reproductive Harm - www.P65Warnings.ca.gov

ACCESSORIES  
Miscellaneous Accessories